

MODEL :		TYPE
PROJECT :		
PREPARED BY :	DATE :	

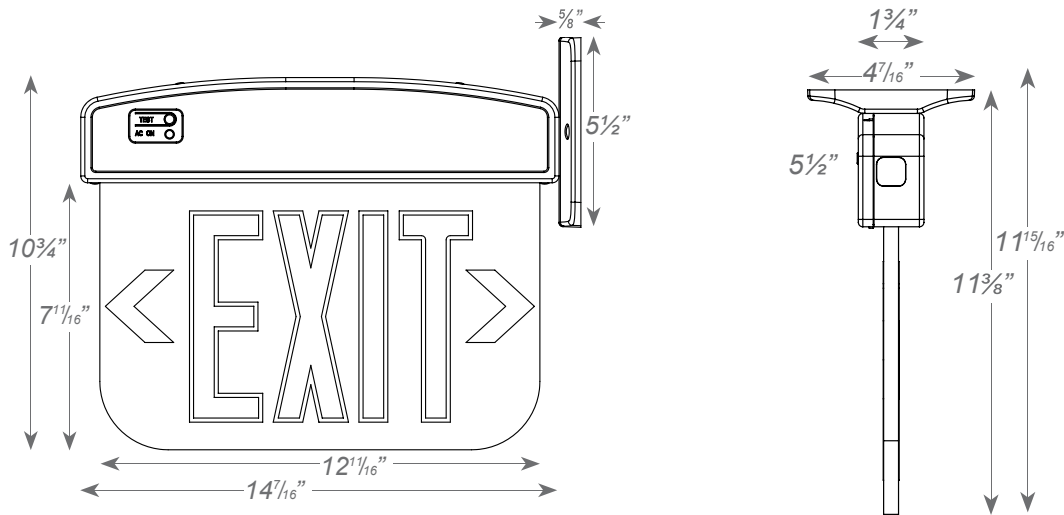
SERIES SPECIFICATIONS

EXEP SERIES

The EXEP series thermoplastic edgelit LED exit signs offer a sleek high end modern look with long lamp life, energy efficiency and uniform illumination.



LINE DRAWING



CONSTRUCTION

Housing

Injection molded, engineering grade 5VA, flame retardant, high-impact resistant thermoplastic housing in white or black finish.

Transfer switch

Internal solid-state transfer switch automatically connects the internal battery to lamp heads

Chevrons

Self-adhesive chevron appliques and guide template provided for directional indication

Illumination

Ultra bright, long life Red or Green LED

Charger

Fully automatic solid-state, two rate charger initiates battery charging to recharge a discharged battery in 24 hours

Panel

UV-stabilized ultra-clear acrylic edgelit panel. Double face utilizes factory installed silver or white mylar background panel.

MODEL :		TYPE
PROJECT :		
PREPARED BY :	DATE :	

ELECTRICAL SPECIFICATIONS

Battery Type 4.8V Rechargeable NiCad	Emergency Illumination Minimum 90 Minutes	Battery Recharge Time 24 Hours
Low Voltage Disconnect Prevents battery from deep discharge	Frequency 60Hz	Battery Discharge Time 1.5 Hours
Operating Voltage 120/277	Operating Temp 0°C ~ 50°C	

AMPERAGE/WATTAGE

CATALOG NUMBER	INPUT WATTS (W)		INPUT AMPS (A)	
	120V	277V	120V	277V
EXEP-EM	3.6	4.0	0.031	0.020
EXEP-SD/DC	3.6	4.0	0.031	0.020

MOUNTING SPECIFICATIONS

Canopy
 Aluminum mounting canopy
 included for top, end or back mount.

OPTIONS

SD
 Self-diagnostic feature performs monthly, biannual, and annual tests to ensure reliable operation and meet electrical and life safety codes

DC
 Dual circuit option on the AC-only unit enables it to be connected to two different (one acting as a back-up to the other) supplies at the same time

CW
 Signs available with requested "special" wording

MODEL :		TYPE
PROJECT :		
PREPARED BY :	DATE :	

CERTIFICATIONS/WARRANTY

Listing
UL Listed

Compliance
Meets UL924, cULus, NFPA 101 Life Safety Code, NEC, OSHA, Local and State Codes.

Location Rating:
Suitable for damp locations

Warranty
Guaranteed for five years from the purchase date of the product, against mechanical defects in manufacturing. Batteries are pro-rated for two years.

ORDERING INFORMATION

Part Number: EXEP1RWEM

SERIES	NO. OF FACES	LETTER COLOR	FINISH	HOUSING COLOR	OPERATION	OPTIONS
EXEP	[1] : Single Face	[G] : Green	[BLANK] : No Finish	[B] : Black	[BLANK] : A/C Only	[BLANK] : No Option
	[2] : Double Face	[R] : Red	[M] : Mirror	[W] : White	[EM] : Battery Backup	[CW] : Custom Wording
			[W] : White			[DC] : Dual Circuit
						[SD] : Self Diagnostics