

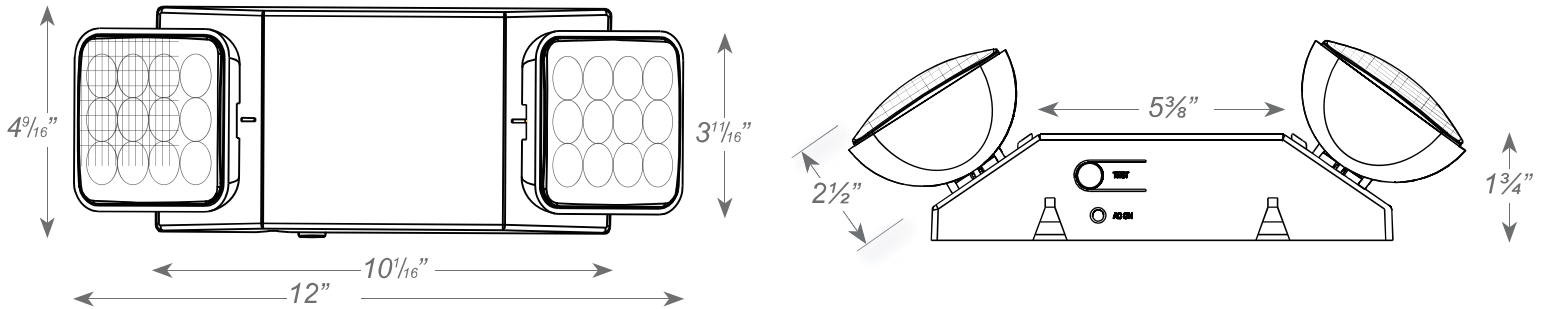
MODEL :		TYPE
PROJECT :		
PREPARED BY :	DATE :	

## SERIES SPECIFICATIONS

The ESLR-1RC is a remote capable thermoplastic LED emergency light that utilizes fully adjustable high lumen LED heads, long life and environmentally friendly Ni-Cad battery in an easy to install fixture design.



## LINE DRAWING



## CONSTRUCTION

### Housing

Injection-molded, engineering grade, 5VA flame retardant, high-impact resistant, thermoplastic in white or black finish.

### LED Lamp Heads

Two long lasting, efficient, ultra bright white LED lamp heads with polycarbonate lens.

### Remote Capacity

2W

### Reflector

High performance chrome-plated metalized reflector and prismatic polycarbonate lens for optimal light distribution.

### Transfer switch

Internal solid-state transfer switch automatically connects the internal battery to LED lamp heads

### Remote Compatibility

LSRH1/LSRH2-3.6 Series

MODEL :		TYPE
PROJECT :		
PREPARED BY :	DATE :	

## ELECTRICAL SPECIFICATIONS

**Battery Type**  
3.6V Rechargeable Ni-Cad

**Emergency Illumination**  
Minimum 90 Minutes

**Battery Recharge Time**  
24 Hours.

**Low Voltage Disconnect**  
Prevents battery from deep discharge

**LED Indicator**  
Charge rate/power "ON" and push to test switch

**Battery Charger**  
Two rate, fully automatic solid-state

**LEDS per Head**  
1W (8 LEDs x 0.125W)

**Operating Voltage**  
120/277 (Standard)

**Lumens**  
90 lumens

**Input Amps**  
0.022 @ 120V  
0.024 @ 208V\*  
0.029 @ 220V\*  
0.025 @ 240V\*  
0.010 @ 277V

**Input Watts**  
1.8 @ 120V  
2.6 @ 208V\*  
3.5 @ 220V\*  
3.1 @ 240V\*  
1.8 @ 277V

**Frequency**  
50/60Hz

\*SPV option only

## MOUNTING SPECIFICATIONS

**Backplate**  
Snaps into place making internal electrical connections

**Surface Mount**  
"Easy Connect" backplate which fits most standard junction boxes.

**Conduit Mount**  
Mounts using knockouts on the backplate or on top of housing

Suitable for wall or ceiling mount

## Center to Center Spacing



1	0.20	.3	0.50	.4	0.40	.5	0.60	.8	1.00	.8	0.90	.8	0.40	.2	0.2	
2	0.30	.5	0.70	.8	0.90	.8	0.91	.0	1.11	.4	1.10	.8	0.50	.3	0.2	
3	0.40	.7	1.01	.0	1.11	.1	1.11	.3	1.41	.1	0.90	.9	0.70	.5	0.2	
4	0.50	.7	0.91	.1	1.21	.2	1.01	.1	1.11	.0	1.10	.8	0.60	.3	0.2	
5	0.50	.7	0.80	.8	1.01	.1	0.80	.8	1.00	.9	0.60	.5	0.40	.3	0.2	
6	0.40	.5	0.70	.7	0.80	.8	0.60	.5	0.60	.5	0.40	.4	0.30	.2	0.2	
	7	6	5	4	3	2	1	0	1	2	3	4	5	6	7	8

Meets NFPA 101 Requirements for: 10' center-to-center spacing - 3' path of egress 1' from wall - 7 1/2' mounting height.

MODEL :		TYPE
PROJECT :		
PREPARED BY :	DATE :	

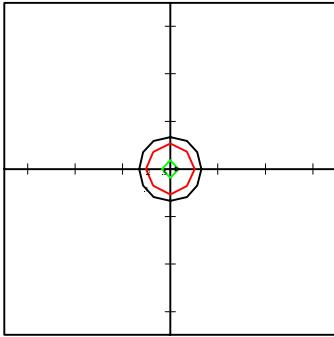
## Options

**SD:**  
 Self-diagnostic test feature continually diagnoses unit's performance and tests system to ensure reliable operation and to meet electrical and life safety codes

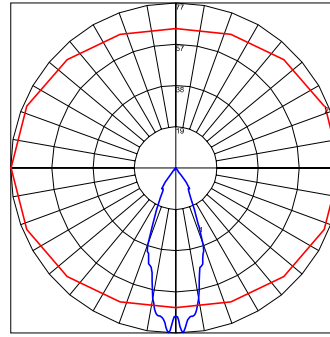
**HL**  
 High Lumen option gives a total of 1.5 Watts (12 LED's x .125W) per head, which will provide a total of 130 lumens of egress lighting in emergency mode.

**SPV**  
 UL Listed for special voltage option. (Not available for SD option)

## Photometric Specifications



TAMLITE LIGHTING  
 EMERGENCY AND FIRE  
 ESLR-1  
 Horizontal Footcandles  
 Scale: 1 Inch = 10 Ft.  
 Light Loss Factor = 1.00  
 Lumens Per Lamp = N.A.  
 Lumens = 45  
 Mounting Height = 10.00 Ft  
 Maximum Calculated Value = 0.69 Fc  
 Arrangement: Single



Polar Graph  
 Maximum Candela = 76.5  
 Located at Horizontal Angle = 0  
 Vertical Angle = 2.5  
 Vertical Plane Through Horizontal  
 Angles  
 (0 - 180)  
 Horizontal Cone Through Vertical  
 Angle  
 (2.5)

## CERTIFICATIONS/WARRANTY

**Listing**  
 UL Listed

**Location Rating:**  
 Suitable for damp locations

**Warranty**

Guaranteed for five years from the purchase date of the product, against mechanical defects in manufacturing. Batteries are pro-rated for two years.

**Safety Certifications**

UL924, NFPA 101 Life Safety Code, NEC, OSHA, Local and State Codes.

MODEL :		TYPE
PROJECT :		
PREPARED BY :	DATE :	

## ORDERING INFORMATION

Sample Part Number: ESLR-1

Carton Dimensions: 12.25x5x4IN  
31.115x12.7x10.16CM

Case Dimensions: 16.14x14.17x15.75IN  
40.996x35.992x40.005CM

Case Qty: 12 Pcs

ESLR-1		
SERIES	HOUSING COLOR	OPTION
ESLR-1	[BLANK] : White	[BLANK] : No Option
	[B] : Black	[SD] : Self-Diagnostic
		[HL] : High Lumen Heads
		[SPV] : 208/220/240V (Not available with SD option)

## REMOTE COMPATIBILITY CHART

Use the below charts to pick the correct voltage for your remote capable device.

### REMOTE COMPATIBILITY CHART

SERIES	ESRH SERIES		LSRH SERIES (LED)		
	6V	12V	3.6V	9.6V	MULTI
ESLFX-2				X	X
LXP-RC			X		X
LXPC-RC			X		X
EXDC-RC			X		X
EXWTC-RC			X		X
ESLR-1RC			X		X
LSR-1RC			X		X
ESR-16R-65	X				X
LXPCP-RC				X	X
EXPCL-RC				X	X
ESR-16R-LED	X				X

SERIES	ESRH SERIES		LSRH SERIES (LED)		
	6V	12V	3.6V	9.6V	MULTI
ESR-1HO	X				X
LSDXR627	X				X
ESTFX-2	X				X
ESDXR6	X				X
ESDXRS6	X				X
ESDXR12		X			X
ESDXRS12		X			X
ESR-16R-125		X			X
ESR-16R-LED12		X			X
EXP-RC	X				X
LXWTC-RC			X		X



APPLICATION AND PERFORMANCE SPECIFICATION INFORMATION IS SUBJECT TO CHANGE WITHOUT NOTIFICATION

660 NW PEACOCK BLVD. | PORT ST. LUCIE, FL 34986 | TEL: 772.879.0178 | TAMLITEUSA.COM