

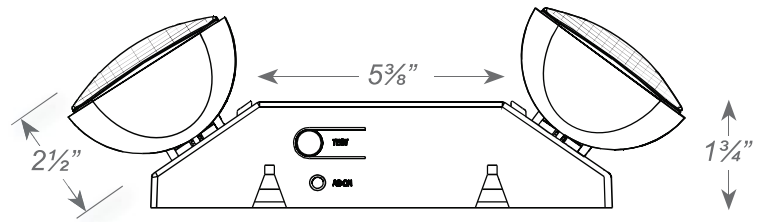
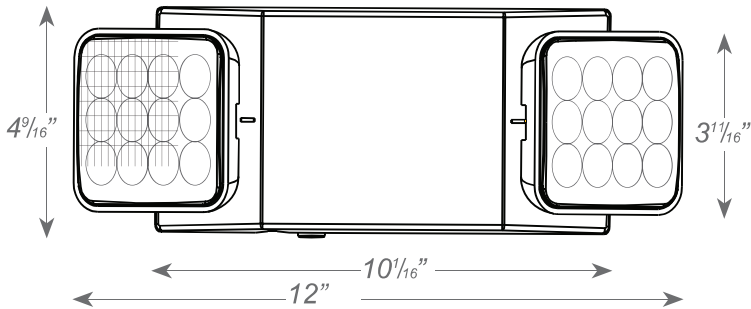
MODEL :		TYPE
PROJECT :		
PREPARED BY :	DATE :	

SERIES SPECIFICATIONS

The ESLR-1 is a thermoplastic LED emergency light that utilizes fully adjustable LED heads, long life and environmentally friendly Ni-Cad battery in an easy to install fixture design.



LINE DRAWING



CONSTRUCTION

Housing

Injection-molded, engineering grade, 5VA flame retardant, high-impact resistant, thermoplastic in white or black finish.

LED Lamp Heads

Two long lasting, efficient, ultra bright white LED lamp heads with polycarbonate lens.

Reflector

High performance chrome-plated metalized reflector and prismatic polycarbonate lens for optimal light distribution.

Transfer switch

Internal solid-state transfer switch automatically connects the internal battery to LED lamp heads

BATTERY SPECIFICATIONS

Battery Type

3.6V Rechargeable Ni-Cad

Emergency Illumination

Minimum 90 Minutes

Battery Recharge Time

24 Hours.

Low Voltage Disconnect

Prevents battery from deep discharge

LED Indicator

Charge rate/power "ON" and push to test switch

Battery Charger

Two rate, fully automatic solid-state

APPLICATION AND PERFORMANCE SPECIFICATION INFORMATION IS SUBJECT TO CHANGE WITHOUT NOTIFICATION

MODEL :		TYPE
PROJECT :		
PREPARED BY :	DATE :	

ELECTRICAL SPECIFICATIONS CONT.

LEDs per Head

1W (8 LEDs x 0.125W)

Operating Voltage

120/277 (Standard)

Lumens

90 lumens

Input Amps

0.022 @ 120V

0.024 @ 208V*

0.029 @ 220V*

0.025 @ 240V*

0.010 @ 277V

Input Watts

1.8 @ 120V

2.6 @ 208V*

3.5 @ 220V*

3.1 @ 240V*

1.8 @ 277V

Frequency

50/60Hz

*SPV option only

MOUNTING SPECIFICATIONS

Backplate

Snaps into place making internal electrical connections

Surface Mount

"Easy Connect" backplate which fits most standard junction boxes.

Conduit Mount

Mounts using knockouts on the backplate or on top of housing

Suitable for wall or ceiling mount

Center to Center Spacing



1	0.20	.3	0.50	.4	0.40	.5	0.60	.8	1.00	.8	0.90	.8	0.40	.2	0.2	
2	0.30	.5	0.70	.8	0.90	.8	0.91	.0	1.11	.4	1.10	.8	0.50	.3	0.2	
3	0.40	.7	1.01	.0	1.11	.1	1.11	.3	1.41	.1	0.90	.9	0.70	.5	0.2	
4	0.50	.7	0.91	.1	1.21	.2	1.01	.1	1.11	.0	1.10	.8	0.60	.3	0.2	
5	0.50	.7	0.80	.8	1.01	.1	0.80	.8	1.00	.9	0.60	.5	0.40	.3	0.2	
6	0.40	.5	0.70	.7	0.80	.8	0.60	.5	0.60	.5	0.40	.4	0.30	.2	0.2	
	7	6	5	4	3	2	1	0	1	2	3	4	5	6	7	8

Meets NFPA 101 Requirements for: 10' center-to-center spacing - 3' path of egress 1' from wall - 7 1/2' mounting height.

Options

SD:

Self-diagnostic test feature continually diagnoses unit's performance and tests system to ensure reliable operation and to meet electrical and life safety codes

HL

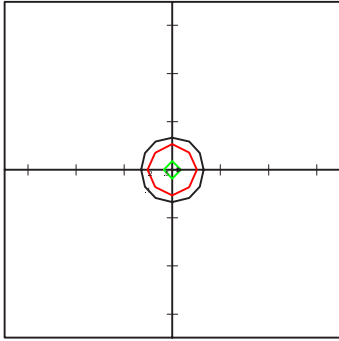
High Lumen option gives a total of 1.5 Watts (12 LED's x .125W) per head, which will provide a total of 130 lumens of egress lighting in emergency mode.

SPV

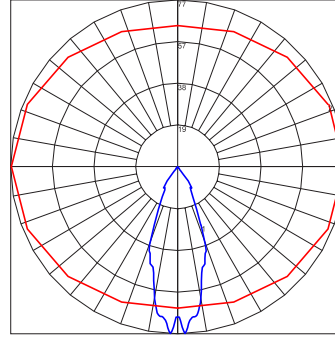
UL Listed for special voltage option. (Not available for SD option)

MODEL :		TYPE
PROJECT :		
PREPARED BY :	DATE :	

Photometric Specifications



**TAMLITE LIGHTING
EMERGENCY AND FIRE
ESLR-1**
Horizontal Footcandles
Scale: 1 Inch = 10 Ft.
Light Loss Factor = 1.00
Lumens Per Lamp = N.A.
Lumens = 45
Mounting Height = 10.00 Ft
Maximum Calculated Value = 0.69 Fc
Arrangement: Single



Polar Graph
Maximum Candela = 76.5
Located at Horizontal Angle = 0
Vertical Angle = 2.5
Vertical Plane Through Horizontal Angles
(0 - 180)
Horizontal Cone Through Vertical Angle
(2.5)

CERTIFICATIONS/WARRANTY

Listing

UL Listed

Safety Certifications

UL924, NFPA 101 Life Safety Code, NEC, OSHA,
Local and State Codes.

Location Rating:

Suitable for damp locations

Warranty

Guaranteed for five years from the purchase date of the product, against mechanical defects in manufacturing.
Batteries are pro-rated for two years.

ORDERING INFORMATION

Sample Part Number: ESLR-1

Carton Dimensions: 12.25x5x4IN
31.115x12.7x10.16CM

Case Dimensions: 16.14x14.17x15.75IN
40.996x35.992x40.005CM

Case Qty: 12 Pcs

ESLR-1		
SERIES	HOUSING COLOR	OPTION
ESLR-1	[BLANK] : White	[BLANK] : No Option
	[B] : Black	[SD] : Self-Diagnostic
		[HL] : High Lumen Heads
		[SPV] : 208/220/240V (Not available with SD option)
		[NH] : No Heads

ORDERING INFORMATION

No Head options converts unit into a battery pack for up to 3 watts of remote power.