



# TAMLITE LIGHTING

660 NW Peacock Blvd. Port St. Lucie, FL 34986  
tel: (772) 878-4944 or on the web at [www.tamliteusa.com](http://www.tamliteusa.com)

## SPECIFICATION & FEATURES

Catalog #:	01/07/2016
Project:	Type:
Prepared By:	

### DESCRIPTION

4" Dimmable LED Retrofit Kit  
Line Voltage: 120/277V - 11W Dimmable 120V LED

### HOUSING

Oversized trim ring constructed from one-piece die cast aluminum  
Specially designed trim functions as a heat sink  
Push-in style trim clips are designed to accommodate most 4" fixture housings

### ELECTRICAL DETAILS

Supplied with an AC disconnect with a standard incandescent E26 base

### LED POWER SUPPLY DRIVER

120/277V thermally protected dimmable driver, dimmable to 5% with most dimmers  
(Recommended electronic low-voltage dimmers for dimming)

### LEDs

12W Ultra-bright LED array light source producing over 600 lumens at 3000K

### LISTINGS/RATINGS/COMPLIANCE

UL, C-UL listed for wet location

Energy Star Approved

Meets State of California Title 24 requirements

Certified under ASTM-E283 for Airtight Construction

### WARRANTY

Guaranteed five years from the purchase date of the product, against mechanical defects in manufacturing.

### OPTIONS

GU24 socket adapter sold separately: DL-GU24

### NOTES

Product performance may vary depending on model and end user environment.

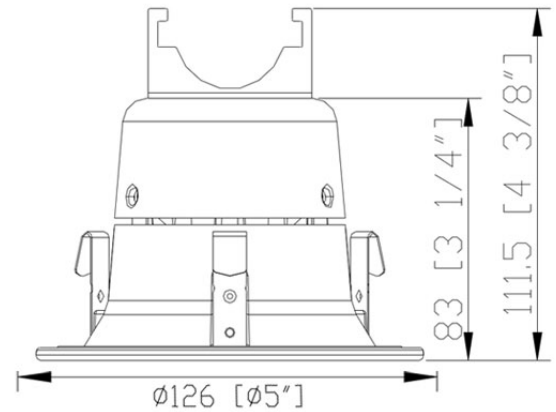
\*\*\* SPECIFICATIONS SUBJECT TO CHANGE WITHOUT NOTICE\*\*\*

# RFK4 Series

## 4" Dimmable LED Retrofit Kit



### SPECIFICATIONS / DIMENSIONS



### ORDERING INFORMATION

Sample Part Code: RFK4-3

<b>RFK4</b>	<b>3</b>	
<b>SERIES</b>	<b>COLOR TEMP</b>	<b>FINISH</b>
RFK4	[3] : 3000K	[BLANK] : White