

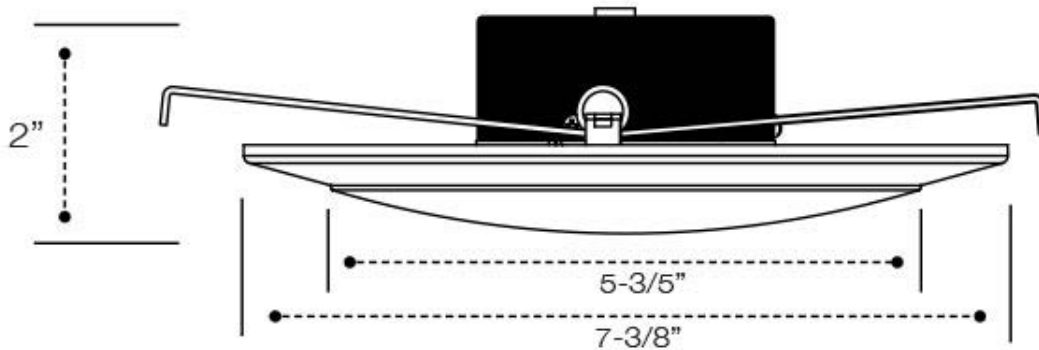
MODEL :		TYPE
PROJECT :		
PREPARED BY :	DATE :	

SERIES SPECIFICATIONS

The DRFJ56 is a 5"/6" LED Retrofit kit for Square and Octagonal 4" Junction Boxes. It is also compatible with most 5" and 6" recessed standard and shallow housings. Ideal for both remodel or new construction applications. The LED Retrofit comes with a disconnect screw-in base lead for easy installation into standard incandescent sockets.



LINE DRAWING



CONSTRUCTION

Housing
One-piece die cast aluminum

Heat Sink
Specially designed trim function as heat sink

Mounting Style
Torsion Springs

Accommodates
Most 5" and 6" standard and shallow housings.

Retrofit Connector
E26 medium screw-base / Ideal Connector

LED Driver
Built-in

ELECTRICAL SPECIFICATIONS

Input Voltage
120-277

Diming
5-100% 120V Only

Recommended dimmer
Electronic low voltage

MODEL :		TYPE
PROJECT :		
PREPARED BY :	DATE :	

ELECTRICAL SPECIFICATIONS (Cont.)

CRI
> 90

Wattage
12W

Operating Temp.
< 40°C

Frequency
50-60Hz

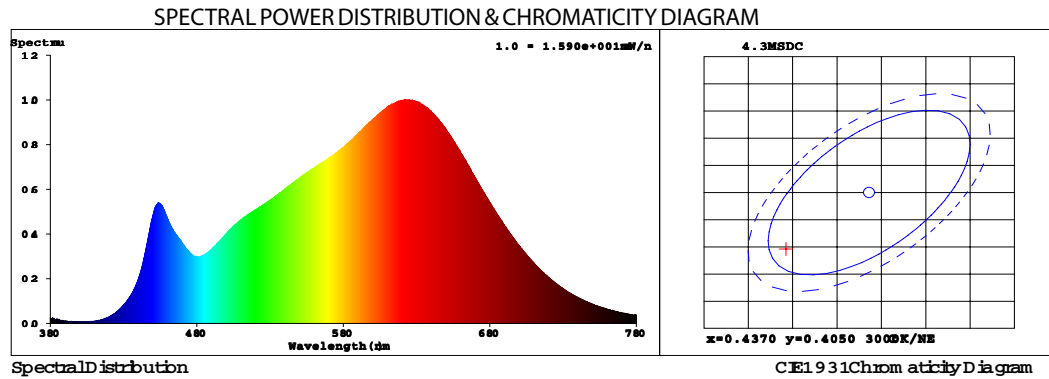
Color Temp
3000K & 4000K

Lumens
3000K : 850 Lm
4000K : 950 Lm

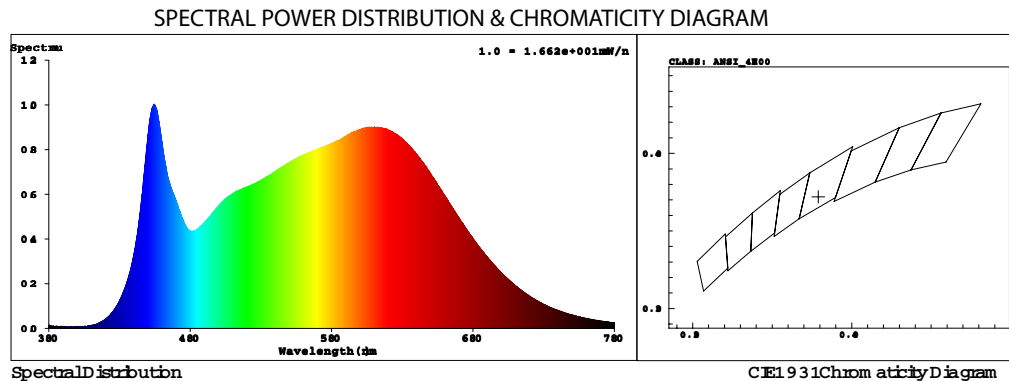
*Please consult factory for list of approved dimmers

PERFORMANCE SPECIFICATIONS

3000K



4000K



MODEL :		TYPE
PROJECT :		
PREPARED BY :	DATE :	

CERTIFICATIONS/WARRANTY

Listing
UL, C-UL Listed

Location Rating:
Suitable for wet locations

Title 24
Meets State of California Title 24 requirements

ASTM
Certified under ASTM-E283 for Airtight Construction

Warranty
Guaranteed for five years from the purchase date of the product, against mechanical defects in manufacturing.

ORDERING INFORMATION

Sample Part Number: DRFJ56-3

Carton Dimensions: 19.05x19.05x6.35CM
7.5x7.5x2.5IN

Case Quantity: 12 PCS

DRFJ56		
SERIES	COLOR TEMP	FINISH
DRFJ56	[-3] : 3000K	[BLANK] : White
	[-4] : 4000K	

NOTES

This unit can only be considered IC rated if used in approved IC rated housing.