

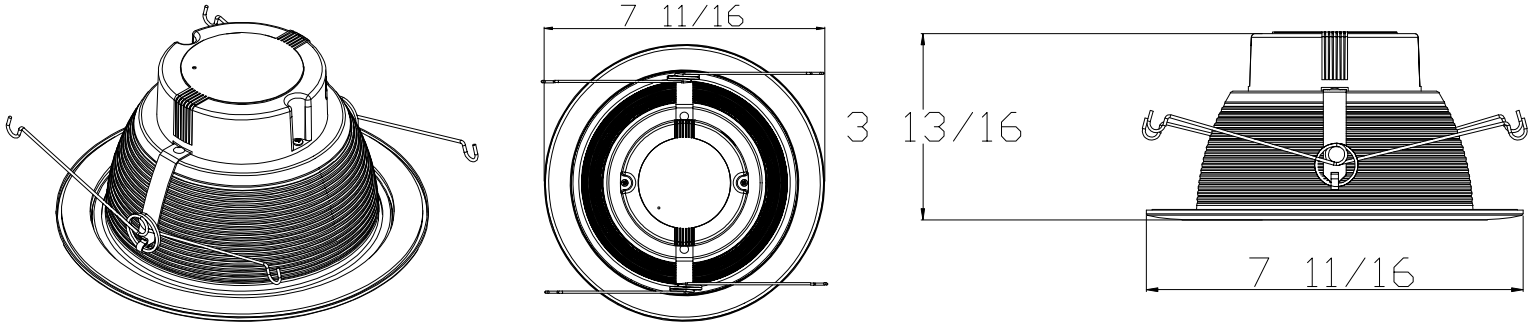
MODEL :		TYPE
PROJECT :		
PREPARED BY :	DATE :	

## SERIES SPECIFICATIONS

Our energy efficient LED Retrofit Kits are compatible with most 6" recessed cans. The RF6 are designed with a white baffle construction, LED module and dimmable LED driver rated for 50,000 hours. Each kit comes with a standard screw-in base adapter and 2 torsion clips for universal mounting. Suitable for IC and Non-IC housings.



## LINE DRAWING



## CONSTRUCTION

**Housing**  
 Die cast aluminum housing designed to dissipate heat efficiently.

**Reflector**  
 Metal Baffle

**Thermal Management**  
 Raised stand-offs provide even heat dissipation; requires no additional heat sinking

**Ambient Temperature**  
 -35°C (-31°F) - +70°C (158°F)

## PHYSICAL SPECIFICATIONS

**Aperture Size**  
 5.7"

**Lens Type**  
 Frosted

**Lens Material**  
 Polycarbonate Lens

MODEL :		TYPE
PROJECT :		
PREPARED BY :	DATE :	

## ELECTRICAL SPECIFICATIONS

Input Voltage  
120 VAC

Efficacy  
70+ LM/W

Color Temp  
3000K

Frequency  
60Hz

CRI  
> 90

LED Lifespan  
50,000 HRS

Input Current  
0.1A MAX

Drive Current  
140mA

Operating Temp  
-40°C- +90°C

Input Wattage  
14W

Driver Efficiency  
88%

Color Angular Uniformity  
0.0018

Power Factor  
≥ 0.90

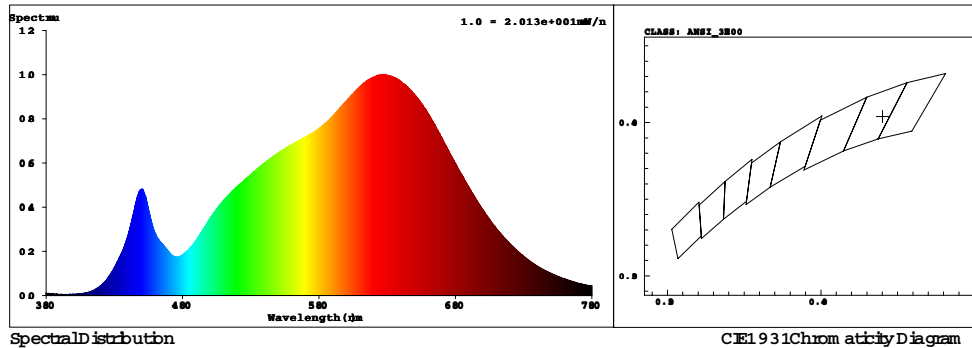
Dimmable  
5-100%\*

Lumens  
1000+ LUMENS

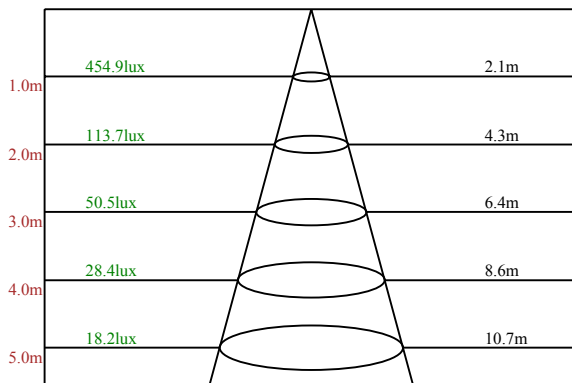
\*Please consult factory for list of approved dimmers

## PERFORMANCE SPECIFICATIONS

SPECTRAL POWER DISTRIBUTION & CHROMATICITY DIAGRAM



LUX DISTANCE CURVE



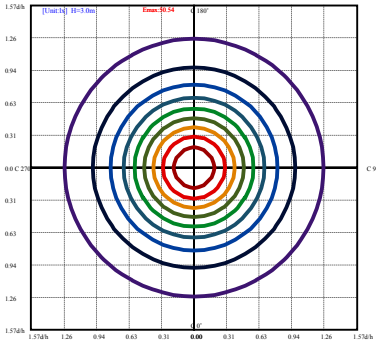
Beam angle of C0plane94.13

ZONAL LUMEN SUMMARY

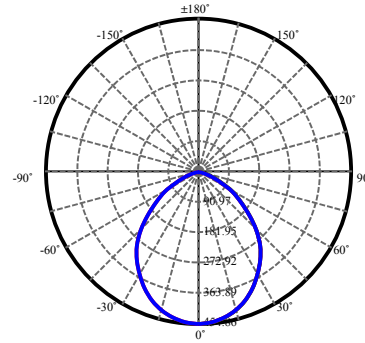
ZONE	LUMEN	LAMP %	LUMINAIRE %
0-30	340.16	34.37%	34.37%
0-40	541.66	54.72%	54.72%
0-60	871.15	88.01%	88.01%
60-90	179.93	18.18%	18.18%
0-120	988.68	99.88%	99.88%
90-120	2.45	0.25%	0.25%
0-90	988.26	99.84%	99.84%
90-180	3.57	0.36%	0.36%
0-180	989.82	100%	100%

MODEL :		TYPE
PROJECT :		
PREPARED BY :	DATE :	

### PHOTOMETRIC ISOLINES



TAMLITE LIGHTING DELUCE  
 RF6-3  
 Horizontal Footcandles  
 Scale: 1 Inch = 10 Ft.  
 Light Loss Factor = 1.00  
 Lumens Per Lamp = 1012.8  
 Total Lamp Lumens = 1012.8  
 Mounting Height = 10.00 Ft  
 Arrangement: Single



Field angle  
 (10%Imax):C0/180  
 Left:70.6 Right:70.6  
 :C90/270  
 Left:70.7 Right:70.7  
 Beam Angle  
 (50%Ima):C0/180  
 Left:47.1 Right:47.1  
 :C90/270  
 Left:47.1 Right:47.1

### CERTIFICATIONS/WARRANTY

Listing  
 ETL Listed

Energy Star Listing  
 Not Available

Location Rating:  
 Suitable for damp locations

Warranty  
 Guaranteed for five years from the purchase date of the product, against mechanical defects in manufacturing.

### ORDERING INFORMATION

Sample Part Number: RF6-3

Carton Dimensions: 20x20x10CM  
 7.87x7.87x3.94IN

Case Dimensions: 61.5x41x21.5CM  
 24.2x16.1x8.5IN

Case Quantity: 12 PCS

RF	6	-3
SERIES	SIZE	COLOR TEMP
RF	6	[-3]: 3000K

### UPC BARCODES

	GTIN-12	GTIN-14	IMS Code
RF6-3	190010509683	00190010509683	0313-6011



### NOTES

This unit can only be considered IC rated if used in approved IC rated housing.