

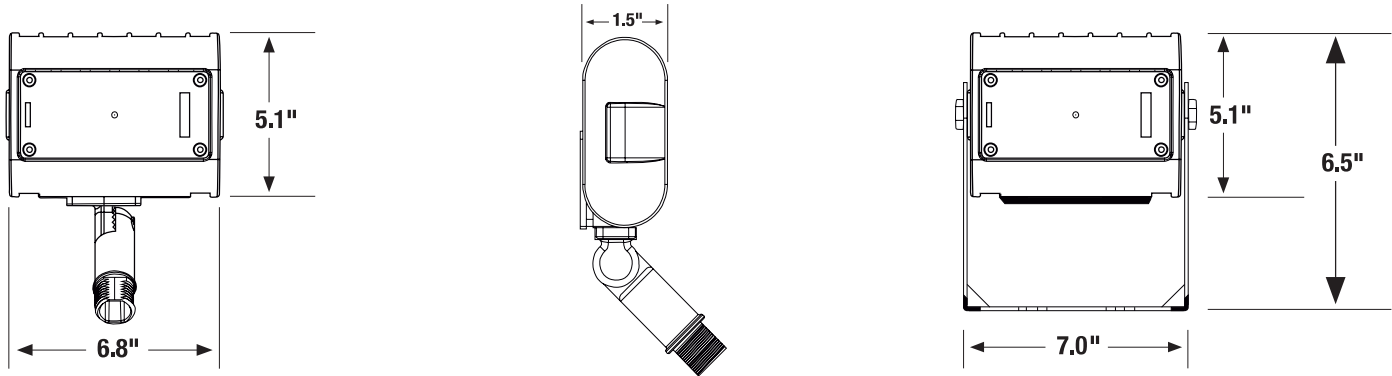
MODEL :		TYPE
PROJECT :		
PREPARED BY :	DATE :	

## SERIES SPECIFICATIONS

The TATFLL floodlight is a versatile unit with multiple mounting options that satisfy many of your lighting applications. The TATFLL can be adjusted to almost any position to direct the light where needed.



## LINE DRAWING



## CONSTRUCTION

### Housing

Die cast aluminum housing, with a finned heat sink designed to dissipate heat efficiently.

### Finish

Durable bronze powder coat paint.

### Thermal Management

Raised stand-offs provide even heat dissipation; requires no additional heat sinking

### Ambient Temperature

-35°C (-31°F) -50°C (122°F)

## PHYSICAL SPECIFICATIONS

### Color

Bronze

### Lens Type

Clear Pattern

### Lens Material

Polycarbonate Lens

MODEL :		TYPE
PROJECT :		
PREPARED BY :	DATE :	

## ELECTRICAL SPECIFICATIONS

**Input Voltage**  
100-277VAC

**Efficacy**  
98.8 LM/W

**Color Temp**  
5000K

**Frequency**  
50/60Hz

**CRI**  
> 80

**LED Lifespan**  
50,000 HRS

**Input Current**  
0.35A MAX

**Beam Angle**  
100.6°

**Operating Temp**  
-20°C- +40°C

**Input Wattage**  
29.5W

**Output Voltage**  
36-60V DC

**Grounding Resistance**  
<=0.5Ω, 0K

**Power Factor**  
≥ 0.90

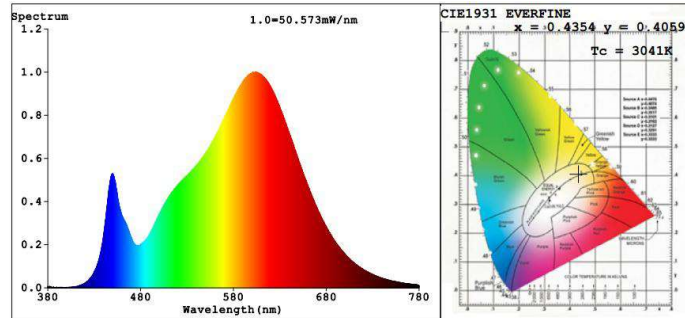
**Output Current**  
0.5A

**Driver Efficiency**  
88%

**Lumens**  
3600 LUMENS

## PERFORMANCE SPECIFICATIONS\*

**SPECTRAL POWER DISTRIBUTION & CHROMATICITY DIAGRAM**



**LUMENS PER ZONE**

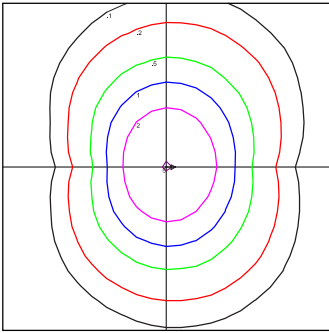
ZONE	LUMEN	TOTAL %	ZONE	LUMENS	TOTAL %
0-10	109.0	3.8%	90-100	0.6	0%
10-20	306.0	10.6%	100-110	0.0	0%
20-30	456.2	15.7%	110-120	0.2	0%
30-40	544.0	18.8%	120-130	0.2	0%
40-50	544.6	18.8%	130-140	0.3	0%
50-60	455.8	15.7%	140-150	0.3	0%
60-70	303.2	10.5%	150-160	0.3	0%
70-80	144.2	5.0%	160-170	0.3	0%
80-90	33.3	1.1%	170-180	0.1	0%

**ZONAL LUMEN SUMMARY**

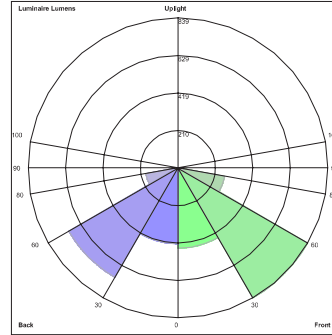
ZONE	LUMEN	LAMP %	LUMINAIRE %
0-30	871.3	30.1%	30.1%
0-40	1,415.3	48.8%	48.8%
0-60	2,415.6	83.3%	83.3%
60-90	480.6	16.6%	16.6%
70-100	178.1	6.1%	6.1%
90-120	0.8	0%	0%
0-90	2,896.3	99.9%	99.9%
90-180	2.4	0.1%	0.1%
0-180	2,898.7	100%	100%

MODEL :	TYPE
PROJECT :	
PREPARED BY :	DATE :

## PHOTOMETRIC ISOLINES



**TAMLITE LIGHTING AMENITY  
TATFLL5030BZ**  
 Horizontal Footcandles  
 Scale: 1 Inch = 10 Ft.  
 Light Loss Factor = 1.00  
 Lumens Per Lamp = 2899.1  
 Total Lamp Lumens = 2899.1  
 Mounting Height = 15.00 Ft  
 Maximum Calculated Value = 5.17 Fc  
 Arrangement: Single



**LUMINAIRE LUMENS:  
TATFLL5030BZ**  
**Front:** Low=447.9, Medium=838.6, High=264.7, Very High=24.2  
**Back:** Low=423.4, Medium=706.1, High=182.7, Very High=9.1  
**Uplight:** Low=0.6, High=1.8  
 Bug Rating: B1-U1-G1

## CERTIFICATIONS/WARRANTY

### Listing

UL Listed

### Location Rating:

Suitable for wet locations

### Warranty

Guaranteed for five years from the purchase date of the product, against mechanical defects in manufacturing.

### DLC Listing

This product is on the Design Lights Consortium (DLC) Qualified Products List and is eligible for rebates from DLC Member Utilities.\*\*

### Qualifications

IP65 Rated

## ORDERING INFORMATION

**Sample Part Number:** TATFLL5030

**Carton Dimensions:** (YOKE) 7.6" X 8.4" X 2.1"  
 (KNUCKLE) 7.0" X 9.2" X 2.1"

**Case Dimensions:** (YOKE) 15.9" X 9.2" X 11.6"  
 (KNUCKLE) 14.7" X 10.0" X 11.6"

**Case Quantity:** 10 PCS

TATFLL5030		30		
SERIES	COLOR TEMP	LAMP WATTAGE	FINISH	MOUNTING
TATFLL5030	[30] : 3000K	[30] : 30 WATTS	[BZ] : BRONZE	[BLANK] : YOKE MOUNT***
	[50] : 5000K		[WH] : WHITE	[K] : 1/2" KNUCKLE MOUNT

## NOTES

\*Performance specifications based off 5000K version.

\*\*Not all product variations meet Design Light Consortium Qualifications. Please verify that the product is listed on the DLC products lists at [www.designlightconsortium.org/QPL](http://www.designlightconsortium.org/QPL)

\*\*\*Only available on 5000K version

APPLICATION AND PERFORMANCE SPECIFICATION INFORMATION IS SUBJECT TO CHANGE WITHOUT NOTIFICATION