

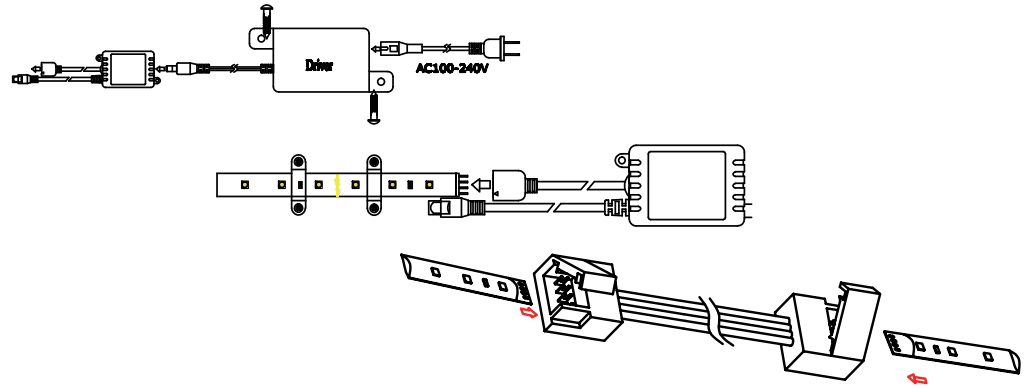
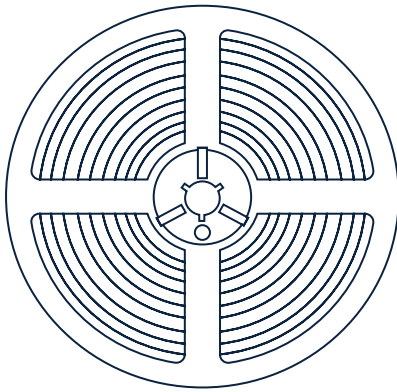
MODEL :		TYPE
PROJECT :		
PREPARED BY :	DATE :	

SERIES SPECIFICATIONS

The TART16KIT-RGBG2 includes everything needed to bring RGB color options to any job or installation. The RGB, color changing, ribbon tape will allow you to create an ever changing ambience to suit any mood desired. This kit includes an infrared remote and receiver that makes changing colors, setting levels, and creating color shifts easy and fun. The 16' spool can be cut & spliced every 3 inches on clearly marked cut points to create custom lengths for your installation needs. Splice connectors included will allow you to add angles and jump gaps. Each kit also includes end caps and heat shrink tubes that will reseal the tape to maintain the integrity of the IP65 rating.



LINE DRAWING



CONSTRUCTION

Sealing Material
PU Glue

LEDs per In.
15 LED/19.7In.

Watts Per LED
0.2

Watts Per Ft
2.19W/Ft

Max Run Length
16.4Ft.

Cutable Length
1.96In.

DIMMING SPECIFICATIONS

Dimmable
Yes

Dimming %
0-100%

Driver Type
Electronic

MODEL :		TYPE
PROJECT :		
PREPARED BY :	DATE :	

ELECTRICAL SPECIFICATIONS

Input Voltage 100-240 VAC	Efficacy N/A	LED Lifespan >30,000 HRS
Frequency 60Hz	CRI N/A	Operating Temp -20°C ~ +40°C
Input Current 1.6A Max	Drive Current 300mA	IR Controller Input 12V D.C.
Input Wattage 36W	Lumens N/A	IR Controller Current 0.3A Max
Power Factor ≥ 0.6	IR Controller Output 12V D.C.	Color Temp N/A

ADHESIVE SPECIFICATIONS

Tensile Strength 688 kg/m ³ (43 lb/ft ³) Min. 608 kg/m ³ (38 lb/ft ³) Max. 768 kg/m ³ (48 lb/ft ³)	Adhesion Strength to Backing 688 kg/m ³ (43 lb/ft ³) Min. 608 kg/m ³ (38 lb/ft ³) Max. 768 kg/m ³ (48 lb/ft ³)	Adhesion Strength to Polypropylene Breakaway and Continuing Peel tests are run with 12.7 mm (0.5 in.) wide tape on PVC test bars
Temp. Resistance Min/Hours 72 hrs. at 22°C (72°F) (Break- away and Continuing Peel)	Temp. Resistance Days/Weeks Exceeds 100 hours at 70°C (158°F) (Static Shear)	

CERTIFICATIONS/WARRANTY

Listing UL Listed	IP Rating IP65
----------------------	-------------------

Location Rating:
Tape Suitable for wet locations
Driver Suitable for dry locations only

Warranty

Guaranteed for one year from the purchase date of the product, against mechanical defects in manufacturing.

MODEL :		TYPE
PROJECT :		
PREPARED BY :	DATE :	

ORDERING INFORMATION

Sample Part Number: TALRT16KIT-RGBG2

Carton Dimensions: 188x190x54MM
 7.41x7.48x2.14IN

Case Dimensions: 410x390x215MM
 16.14x15.36x8.47IN

Case Quantity: 20 PCS

TALRT16KIT-	RGB	G2
SERIES	COLOR TEMP	GENERATION
TALRT16KIT-	[RGB]: COLOR CHANGE	[G2]: GENERATION 2

UPC BARCODES

	GTIN-12	GTIN-14	IMS Code
TALRT16KIT-RGBG2	190010679249	00190010679249	0314-2524



NOTES

Tests were run on base coat/clear coat paint at a separation rate of 305 mm/min. (12 in./min.)