

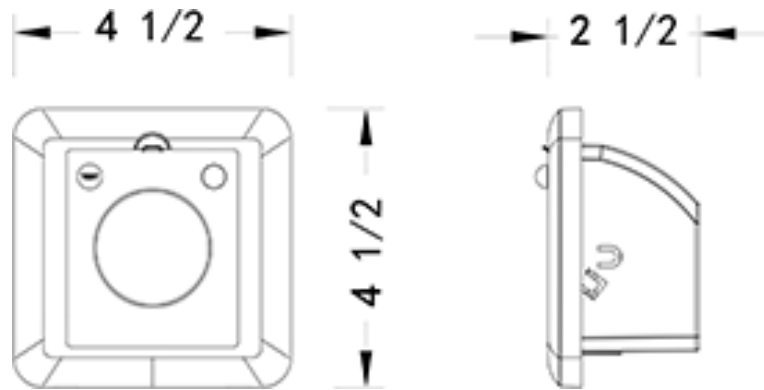
MODEL :		TYPE
PROJECT :		
PREPARED BY :	DATE :	

SERIES SPECIFICATIONS

The J-box PIR emergency unit is a new product in the emergency lighting field. It is a perfect combination of traditional emergency lighting and passive infrared-sensing technology that can be used as a combination PIR lamp and emergency unit or strictly as an emergency unit. It is a breakthrough in traditional emergency design, installing directly into a 4" J-box. Colored faceplates are available.



LINE DRAWING



CONSTRUCTION

Housing
 5VA flame retardant, high impact resistant,
 UV stabilized polycarbonate

PIR Option Activation
 Less than 1.3FC

PIR Option Active on time
 15 min.

PIR Option Distance
 15 ft. 125°

ELECTRICAL SPECIFICATIONS

Battery Type
 4.8V Rechargeable Ni-Cad

Emergency Illumination
 Minimum 90 Minutes

Battery Recharge Time
 24 Hours

LED Lamp Heads
 2.5W 3LED

Operating Voltage
 120/277

Battery Discharge Time
 1.5 Hours

MODEL :		TYPE
PROJECT :		
PREPARED BY :	DATE :	

MOUNTING SPECIFICATIONS

J-Box Size
4"

J-Box Mount
Open Bottom cover,
connect lead to J-box power
leads and screw into corners.

Suitable for J-box installation

PIR OPTION

The passive infrared sensing (PIR) technology will activate when ambient light levels lower than 1.3FC are detected. The PIR has an activation distance of 15' with a 125° field of view. Once activated, the light will stay on for 15 minutes and then automatically turn off. The unit will automatically switch to emergency mode when AC power is lost.

CERTIFICATIONS/WARRANTY

Listing
UL Listed

Safety Requirements
Meets UL924, NFPA 101 Life Safety Code, NEC, OSHA,
most local and state codes

Location Rating:
Suitable for damp locations

Warranty
Guaranteed for five years from the purchase date of the product, against mechanical defects in manufacturing.
Batteries are pro-rated for two years.

ORDERING INFORMATION

Part Number: LSJBA-1

LSJBA-1	
SERIES	OPTIONS
LSJBA-1	[BLANK] : No Option
	[PIR] : Passive Infrared Sensing