



CONTRACTOR:	
PROJECT:	DATE:
PREPARED BY:	MODEL#:

**DESCRIPTION**



**DDSLED SERIES**

The DDSLED Dusk to Dawn is an excellent choice where an economical, dependable light source with dusk to dawn operation is desired.



**FEATURES & SPECIFICATIONS**

**Intended Use:**

This fixture is ideal for use as security lighting in applications such as yards, alley ways, and commercial building perimeters.

**Construction:**

Durable ADC12 aluminum housing with gray powder coat finish.

**Optics:**

Precision molded polycarbonate optical lens is engineered for superior light area distribution. The DDSLED series has a beam spread of 103°.

**Electrical:**

Long-life LED's PCB mounted, coupled with high-efficiency drivers, provide extended service life. The DDSLED delivers up to 125 lumens per watt. Thermally protected driver standard.

**Installation:**

Fixture is wall mounted or can be mounted using included arm.

**Listings:**

UL listed to US and Canadian safety standards. Wet location listed. For use in ambient operating temperatures ranging from 40°C~+40°C.

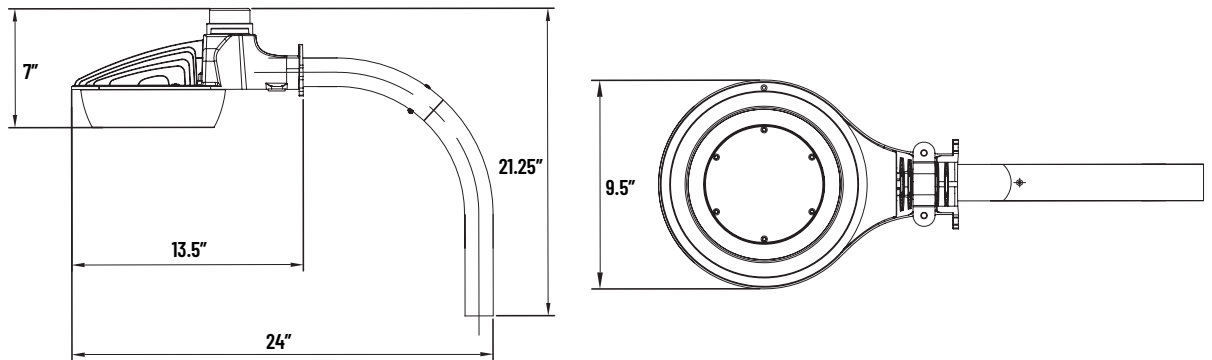
**Warranty:**

5-year limited warranty.

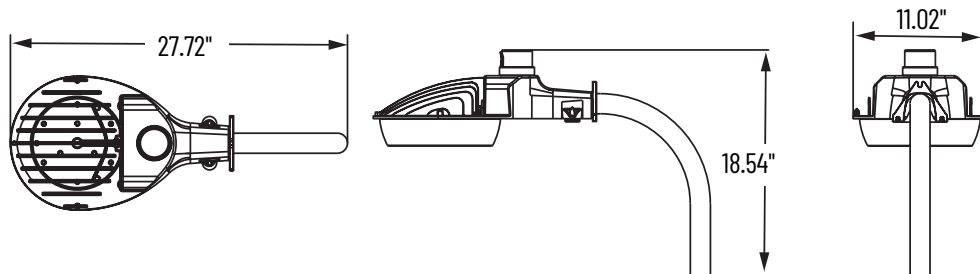
**NOTE:** Actual performance may differ as a result of end-user environment and application. All values are design or typical values, measured under laboratory conditions at 25 °C. Specifications subject to change without notice.

**LINE DRAWINGS**

30W/50W



80W





CONTRACTOR:	
PROJECT:	DATE:
PREPARED BY:	MODEL#:

**ORDERING INFORMATION**

Example: DDSLED305K

Series	Wattage	Color Temp.
DDSLED	[30]: 30W [50]: 50W [80]: 80W	[5K]: 5000K

**PERFORMANCE SPECIFICATIONS**

SERIES	LUMENS @ 5000K	LPW @ 5000K	MAX. WATTAGE
DDSLED305K	3750lm	125 Lm/W	30W
DDSLED505K	5000lm	107 Lm/W	50W
DDSLED805K	9700lm	124 Lm/W	80W

**GENERAL DRIVER INFORMATION**

ELECTRICAL SPECIFICATIONS	30W		50W		80W	
	120V	277V	120V	277V	120V	277V
Input Voltage (V AC)	100V-277V (± 10%)					
Frequency Range (Hz)	50-60Hz (+/- 10%)					
Input Current Max (A) Per Driver	0.35	0.35	0.4A	0.4A	0.65A	0.65A
Power Factor @ Full Load	>0.9					
CRI	>75					

**ENVIRONMENTAL SPECS**

30W/50W/80W	
Ambient Range	-40°C to 60°C
EMI Compliance	FCC Part 15 ANSI C63.4:2009 Class B