

MODEL :		TYPE
PROJECT :		
PREPARED BY :	DATE :	

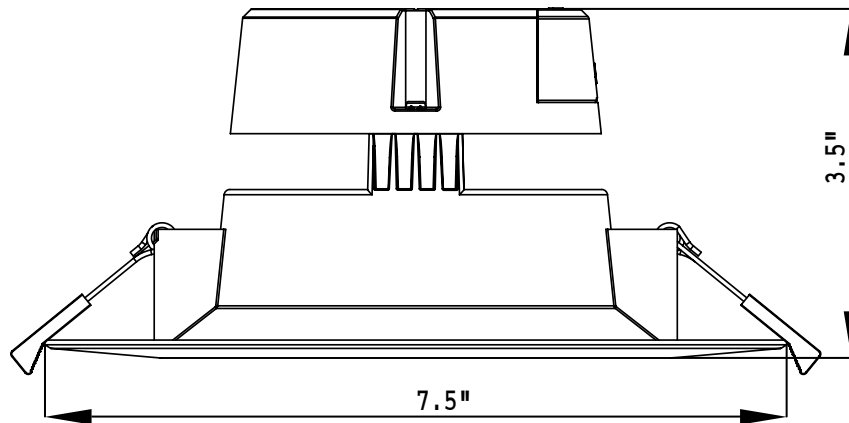
## SERIES SPECIFICATIONS

IC6IJ SERIES

The IC6IJ-5 is a recessed LED light integrated with its own electrical junction box. This LED light requires no additional recessed housing or junction box to install into a ceiling. The mounting tabs offer quick and easy installation into any ceiling type. Its slim profile is also a great solution for shallow ceiling applications.



## LINE DRAWING



## CONSTRUCTION

Housing  
Plastic

Junction Box  
Integrated

Trim Ring  
Plastic Baffle

Retention Clips  
Metal

## PHYSICAL SPECIFICATIONS

Aperture Size  
5.3"

Lens Type  
Frosted

Lens Material  
Polycarbonate

MODEL :		TYPE
PROJECT :		
PREPARED BY :	DATE :	

## ELECTRICAL SPECIFICATIONS

Input Voltage  
120 VAC

Efficacy  
90+ LM/W

Color Temp  
5000K

Frequency  
60Hz

CRI  
> 80

LED Lifespan  
50,000 HRS

Input Wattage  
9W

Input Current  
0.0802A

Duv (CIE 1976)  
0.0016

Power Factor  
≥ 0.90

Dimmable  
5-100%\*

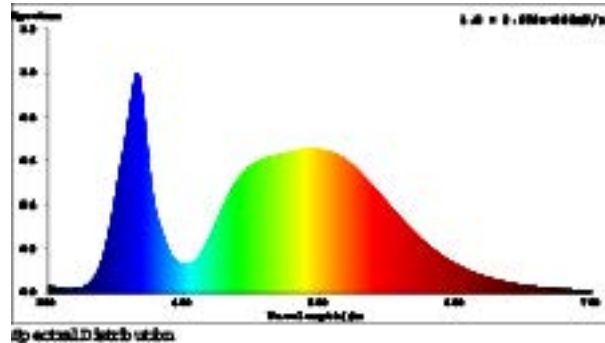
Lumens  
800+ LUMENS

Beam Angle  
109°

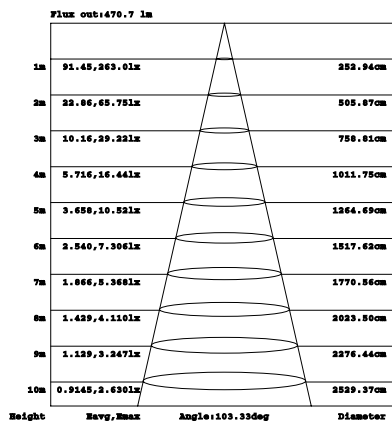
\*Please consult approved dimmer list

## PERFORMANCE SPECIFICATIONS

SPECTRAL POWER DISTRIBUTION & CHROMATICITY DIAGRAM



LUX DISTANCE CURVE

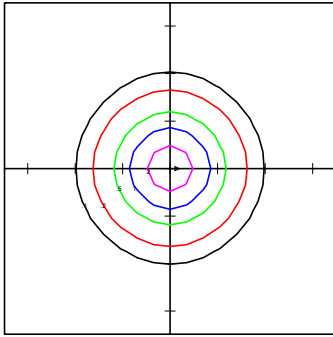


ZONAL LUMEN SUMMARY

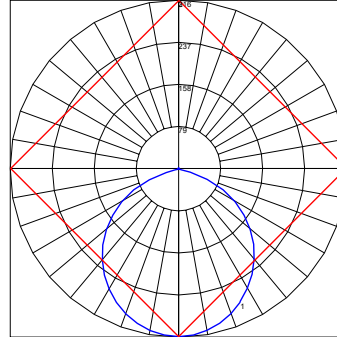
ZONE	LUMEN	LUMINAIRE %
0-30	242.77	29.10
0-40	395.30	47.40
0-60	689.52	82.70
60-80	134.27	16.10
0-80	823.80	98.80
90-120	1.90	0.20
0-90	827.23	99.20
90-180	6.76	0.80
0-180	833.99	100.00

MODEL :		TYPE
PROJECT :		
PREPARED BY :	DATE :	

### PHOTOMETRIC ISOLINES



TAMLITE LIGHTING DELUCE  
 IC6IJ-5  
 Horizontal Footcandles  
 Scale: 1 Hash = 10 Ft.  
 Light Loss Factor = 1.00  
 Lumens Per Lamp = 859.47  
 Total Lamp Lumens = 859.47  
 Mounting Height = 10.00 Ft  
 Arrangement: Single



Polar Graph  
 Maximum Candela = 316.204  
 Located at Horizontal Angle = 0  
 Vertical Angle = 0  
 Vertical Plane Through Horizontal  
 Angles  
 (0-180)  
 Horizontal Cone Through Vertical  
 Angle  
 (0)

### CERTIFICATIONS/WARRANTY

Listing  
 UL Listed

Location Rating:  
 Suitable for wet locations

Rating  
 IC Rated

Warranty  
 Guaranteed for three years from the purchase date of the product, against mechanical defects in manufacturing.

### ORDERING INFORMATION

Sample Part Number: IC6IJ-5

Carton Dimensions: 20x20x10CM  
 7.88x7.94x3.94IN

Case Dimensions: 61x42x22CM  
 24x16.25x8.25IN

Case Quantity: 12 PCS

IC	6	IJ	-5
SERIES	SIZE	TYPE	COLOR TEMP
IC	6	[IJ] : Integrated J-Box	[-5]: 5000K

MODEL :		TYPE
PROJECT :		
PREPARED BY :	DATE :	

**APPROVED DIMMER LIST**

Legrand Dimmers				
DLV703-PLA	D703-PTC	DCL453-PTC	CDLV703-PW	CD703-PW
CDLV703-PW	D703-PTC	DLV703-PLA	HCL453PTCCCV6	H703PTCCCV6
Lutron Dimmers				
TGCL-153P	TG-600PNLH	S-600	LGCL-153PL	GL-600H
AYCL-153P	TG-600PHLH	TGCL-153P	DVCL-153PL	MA-600P
DVCL-153PL	TT-300	DV-603PG	GL-600H	MACL-153M
DVLV-600	LGCL-153PL	DVCL-153P	GTJ-250M	NELV-450
SELV-300P	DVELV-300P			
Leviton Dimmers				
6674	6672	6674	6613-P	6631
Cooper Dimmers				
DLC03P	9530WS			



APPLICATION AND PERFORMANCE SPECIFICATION INFORMATION IS SUBJECT TO CHANGE WITHOUT NOTIFICATION