

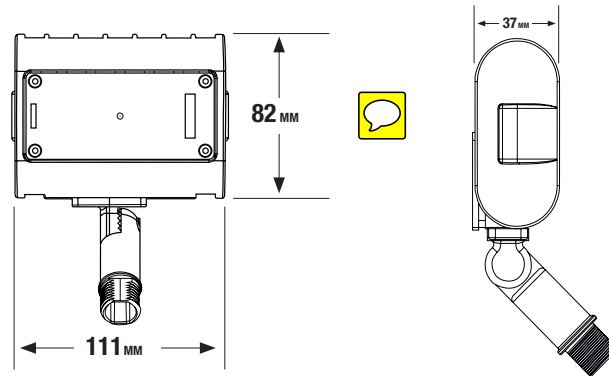
CONTRACTOR	
PROJECT	DATE
PREPARED BY	MODEL # TATFLL5015

SERIES SPECIFICATIONS



The TATFLL floodlight is a versatile unit with multiple mounting options that satisfy many of your lighting applications. The TATFLL can be adjusted to almost any position to direct the light where needed.

LINE DRAWING



CONSTRUCTION

Housing

Die cast aluminum housing, with a finned heat sink designed to dissipate heat efficiently.

Finish

Durable bronze powder coat paint.

Thermal Management

Raised stand-offs provide even heat dissipation; requires no additional heat sinking

Ambient Temperature

-35°C (-31°F) -50°C (122°F)

PHYSICAL SPECIFICATIONS

Color

Bronze

Lens Type

Clear Pattern

Lens Material

Polycarbonate Lens

CONTRACTOR	
PROJECT	DATE
PREPARED BY	MODEL # TATFLL5015

ELECTRICAL SPECIFICATIONS

Input Voltage
100-277VAC

Efficacy
96 LM/W

LED Efficacy
120 LM/W

Frequency
50/60Hz

CRI
> 80

Color Temp
5000K

Input Current
0.18A MAX

Beam Angle
120 X 90°

LED Lifespan
50,000 HRS

Input Wattage
15W

Output Voltage
40-60V DC

Operating Temp
-20°C- +40°C

Power Factor
>0.90

Output Current
0.25A

Grounding Resistance
<=0.5Ω, OK

Lumens
1467 LUMENS

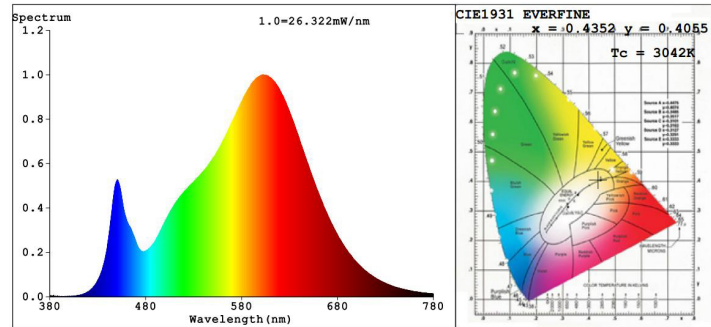
Driver Efficiency
88%

GTIN-1 
190010678990
190010679003



PERFORMANCE SPECIFICATIONS

SPECTRAL POWER DISTRIBUTION & CHROMATICITY DIAGRAM



LUMENS PER ZONE

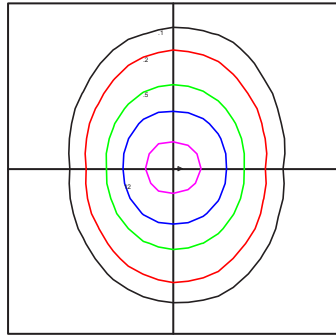
ZONE	LUMEN	TOTAL %	ZONE	LUMENS	TOTAL %
0-10	54.5	3.7%	90-100	0.0	0%
10-20	162.0	11.0%	100-110	0	0%
20-30	253.4	17.3%	110-120	0.0	0%
30-40	301.2	20.5%	120-130	0.0	0%
40-50	288.1	19.6%	130-140	0.0	0%
50-60	225.7	15.4%	140-150	0.0	0%
60-70	126.7	8.6%	150-160	0.0	0%
70-80	47.3	3.2%	160-170	0.0	0%
80-90	8.7	0.6%	170-180	0.0	0%

ZONAL LUMEN SUMMARY

ZONE	LUMEN	LAMP %	LUMINAIRE %
0-30	469.9	32%	32%
0-40	771.1	52.5%	52.5%
0-60	1,284.9	87.5%	87.5%
60-90	182.7	12.4%	12.4%
70-100	56.0	3.8%	3.8%
90-120	0.0	0%	0%
0-90	1,467.6	100%	100%
90-180	0.1	0%	0%
0-180	1,467.6	100%	100%

CONTRACTOR	
PROJECT	DATE
PREPARED BY	MODEL # TATFLL5015

PHOTOMETRIC ISOLINES



TAMLITE LIGHTING AMENITY
TATFLL1550BZ
 Horizontal Footcandles
 Scale: 1 Inch = 10 Ft.
 Light Loss Factor = 1.00
 Lumens Per Lamp = 1467.8
 Total Lamp Lumens = 1467.8
 Mounting Height = 15.00 Ft
 Maximum Calculated Value = 2.52 Fc
 Arrangement: Single

CERTIFICATIONS/WARRANTY

Listing

UL Listed

DLC Listing

In Process 

Location Rating:

Suitable for damp locations 

Qualifications

Made in the U.S. 

Warranty

Guaranteed for five years from the purchase date of the product, against mechanical defects in manufacturing.

ORDERING INFORMATION

Part Number: TATFLL5015

Carton Dimensions: (YOKE) 5.9" X 1.9" X 6.3"
 (KNUCKLE) 5.5" X 1.9" X 6.2"

Case Dimensions: (YOKE) 18.3" X 14.3" X 6.6"
 (KNUCKLE) 17.1" X 13.1" X 6.6"

Case Quantity: 18 PCS

TATFLL5015				
SERIES	COLOR TEMP	LAMP WATTAGE	FINISH	MOUNTING
TATFLL5015	[30] 3000K	[15]: 15 WATTS	[BZ]: BRONZE	[BLANK]: YOKE MOUNT
	[50] 5000K			[K]: 1/2" KNUCKLE MOUNT

NOTES

*Not all product variations meet Design Light Consortium Qualifications. Please verify that the product is listed on the DLC products lists at www.designlightconsortium.org/QPL