



CONTRACTOR:	
PROJECT:	DATE:
PREPARED BY:	MODEL#:

DESCRIPTION



TABFL Series

The TABFL bullet flood offers a knuckle mounting system and a narrow beam spread for your lighting applications. Add this fixture to your landscape range for a clean discreet look.



CONSTRUCTION/ WARRANTY

Housing

Die Cast Aluminum

Finish

Bronze powdercoat

Light Source

LED

Lens

High transmission Polycarbonate

Mounting

Adjustable two piece 1/2" threaded knuckle mount

Listings

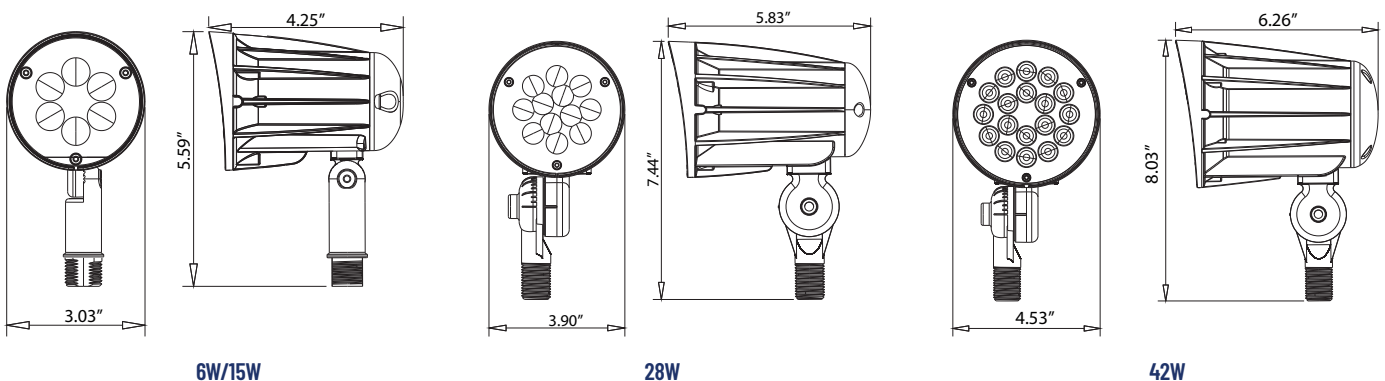
UL listed to US safety standards. Suitable for wet locations.

Warranty

5-year limited warranty.

NOTE: Actual performance may differ as a result of end-user environment and application. All values are design or typical values, measured under laboratory conditions at 25 °C. Specifications subject to change without notice.

LINE DRAWING





CONTRACTOR:	
PROJECT:	DATE:
PREPARED BY:	MODEL#:

ORDERING INFORMATION

EXAMPLE: TABFL3006BZK-12

SERIES	COLOR TEMP.	WATTAGE	FINISH	MOUNTING	VOLTAGE
TABFL	[30] : 3000K	[06] : 6 Watts	[BZ] : Bronze	[K] : 1/2" Knuckle	[-12] : 12 VDC

EXAMPLE: TABFL5015BZK

SERIES	COLOR TEMP.	WATTAGE	FINISH	MOUNTING	VOLTAGE
TABFL	[30] : 3000K [50] : 5000K	[15] : 15 Watts [28] : 28 Watts [42] : 42 Watts	[BZ] : Bronze	[K] : 1/2" Knuckle	[BLANK] : 120-277V

PERFORMANCE SPECIFICATIONS

	6W	15W	28W	42W
Input Voltage	12-24VDC	100-277VAC	100-277VAC	100-277VAC
Drive Current	0.5A MAX	0.18A MAX	0.35A MAX	0.60A MAX
Power Factor	>0.9	>0.9	>0.9	>0.9
THD	< 20%	< 20%	< 20%	< 20%
Lumens	600 Lm	1735 Lm	3376 Lm	4951 Lm
Efficacy	100 Lm/W	120 Lm/W	125 Lm/W	124 Lm/W
Color Temp	3000K	3000K/5000K	3000K/5000K	5000K
Frequency	50/60Hz	50/60Hz	50/60Hz	50/60Hz
Beam Angle	30°	30°	30°	60°
CRI	>80	>80	>80	>80