



CONTRACTOR:	
PROJECT:	DATE:
PREPARED BY:	MODEL#: ICRF

DESCRIPTION

ICRF Series

The IC56RF is a 5-6" IC-rated recessed downlight ideal for retrofits or new installations. Wet location certified, the IC56RF can be used in a variety of outdoor applications.



FEATURES & SPECIFICATIONS

Housing Material
Polycarbonate

Mounting Clips
Push-in style trim clips

LED Driver
Built-in Electronic Driver

Retrofit Connector
Supplied with an AC disconnect with a standard incandescent E26 base.

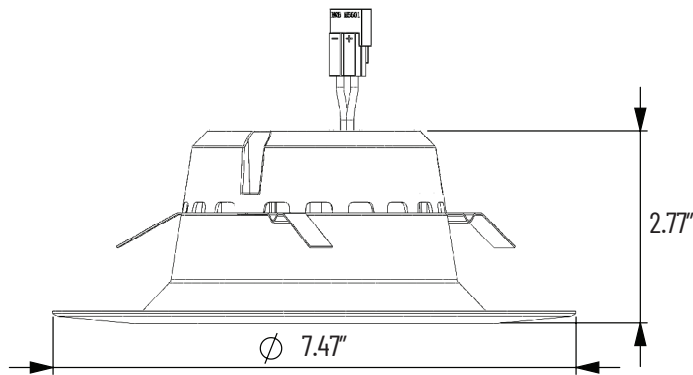
Lens Material
Polycarbonate

Accommodates
Most 5" and 6" housings

Warranty
Guaranteed for 3 years from the purchase date of the product, against mechanical defects in manufacturing.

NOTES:
This unit can only be considered IC rated if used in approved IC rated housing.

LINE DRAWING





CONTRACTOR:	
PROJECT:	DATE:
PREPARED BY:	MODEL#: ICRF

ORDERING INFORMATION

Example: IC56RF-5

SERIES	SIZE	TYPE	COLOR TEMP
IC	[56] : 5", 6"	[RF] : Retrofit	[-27] : 2700K
			[-3] : 3000K
			[-4] : 4000K
			[-5] : 5000K

LIGHTING SPECIFICATIONS

Color Temp	Varies
Dimmable	TRIAC, 15-100%
Efficacy	70Lm/W
CRI	>80
Beam Angle	120°
Min. Starting Temp	-20°C
Max. Starting Temp	40°C
Lumens	1000lm @5000K
Lifespan	50,000 hrs.

ELECTRICAL SPECIFICATIONS

Input Voltage	120V
Input Wattage	11.5W
Power Factor	>=0.9



CONTRACTOR:	
PROJECT:	DATE:
PREPARED BY:	MODEL#: ICRF

APPROVED DIMMER LIST

LEGRAND DIMMERS				
CDLV703-PW	D703-PTC	HCL453PTCCCV6	H703PTCCCV6	
LUTRON DIMMERS				
CN-600	TTCL-100H	DV-600P	TG-600PHLH	TGCL-153P
MA-600	GTJ-250M			
LEVITON DIMMERS				
IPI06	6674	6672	6613-P	
COOPER DIMMERS				
DLC03P	9530WS			

ACCESSORIES



LEDTRIM-BK-4
0382-6836

4" SNAP ON BLACK TRIM FOR IC4IJ & IC4RF

LEDTRIM-BK-6
0382-6848

BLACK SNAP ON TRIM FOR IC6IJ AND IC56RF



LEDTRIM-SN-4
0382-6863

4" SN SNAP ON TRIM FOR IC4IJ & IC56RF

LEDTRIM-SN-6
0382-6860

6" SN SNAP ON LED TRIM FOR IC6IJ & IC56R