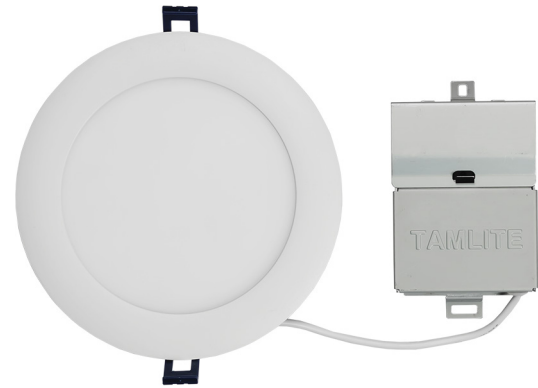


MODEL :		TYPE
PROJECT :		
PREPARED BY :	DATE :	

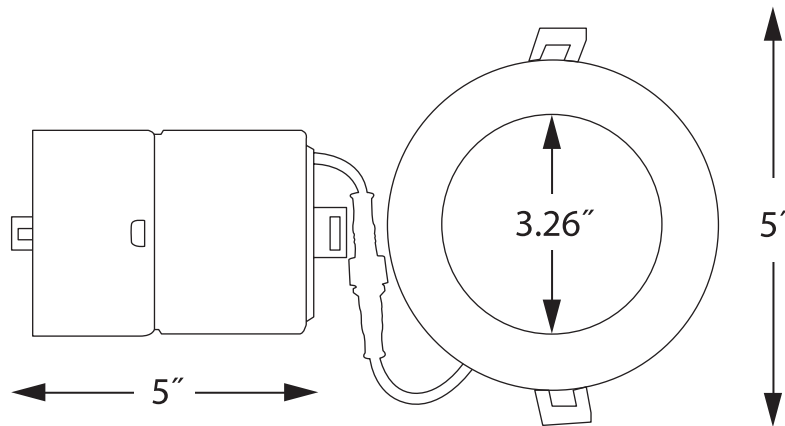
SERIES SPECIFICATIONS

LY4 SERIES

The new slim recessed LED from TamLite Lighting featuring an extra-low profile and detached junction box for easy installation during remodels and new construction projects.



LINE DRAWING



CONSTRUCTION

Housing Material

Aluminum

Lens Material

Polycarbonate

Mounting Style

Spring Clips

Cutout

108mm

ELECTRICAL SPECIFICATIONS (Cont.)

Input Voltage

120VAC

Input Wattage

10.5W

Power Factor

> 0.95

CRI

> 80

Efficacy

70LM/W

Lumens

700+Lm

Frequency

60Hz

Color Temp

3000K, 4000K

Dimming

20-100%

MODEL :	TYPE
PROJECT :	
PREPARED BY :	DATE :

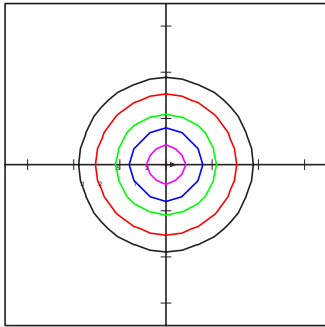
ELECTRICAL SPECIFICATIONS (Cont.)

Min. Starting Temp
-40°C

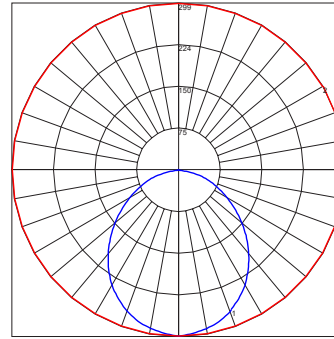
Reported L70 Lifespan 85°C
> 36,000 Hrs.

Max. Temp
40°C

PHOTOMETRIC ISOLINES



TAMLITE LIGHTING DELUCE
 LY41030K/ICWR-SN
 Horizontal Footcandles
 Scale: Hash = 10 Ft.
 Light Loss Factor = 1.00
 Lumens Per Lamp = 741.7
 Total Lamp Lumens = 741.7
 Mounting Height = 10 Ft
 Maximum Calculated Value = 2.99 Fc
 Arrangement: Single



Polar Graph
 Maximum Candela = 299.17
 Located at Horizontal Angle = 0
 Vertical Angle = 0
 Vertical Plane Through Horizontal Angles
 (0 - 180)
 Horizontal Cone Through Vertical Angle
 (0)

CERTIFICATIONS/WARRANTY

Listing

UL Listed

IC Rating

IC Rated

Location Rating:

Suitable for wet locations

IP Rating

IP44 (when installed)

Warranty

Guaranteed three years from the purchase date of the product, against mechanical defects in manufacturing.

ORDERING INFORMATION

Sample Part Number: LY41030K/ICWR-WH

Carton Dimensions: 5.63x5.32x2.68IN

LY	4	10		/IC	
SERIES	SIZE	WATTAGE	COLOR TEMP	RATING	FINISH
LY	[4] : 4"	[10] : 10.5 Watts	[30] : 3000K	[/IC] : IC Rated	[WR-WH] : White
			[40] : 4000K		[WR-SN] : Satin

MODEL :	TYPE
PROJECT :	
PREPARED BY :	DATE :

APPROVED DIMMER LIST

Insteon Dimmers				
2477D				
Lutron Dimmers				
CTCL-153P-WH	DV-603P-LA	CT-603PR-WH	DVELV-300P	NTELV-300P
NLV600	300P-SELV	DV-600P	RRD-6CL-WH	
Leviton Dimmers				
6633-PA	IPL06/LED/INC MODE	6615-P	ISD 600 I 120/IPI06	ISD 400 ELV 120/IPE04
SensorSwitch Dimmers				
nSP5 PCD 2W	nSP5 PCD ELV 120			
RPP Dimmers				
SL153PWH				

NOTES

Will work as a closet light by complying with NEC 410.16 (C) (5)
 Junction Box Capacity: 6.4 Cubic Inches
 Wire Capacity: 6pcs AWG12