

MODEL:		TYPE
PROJECT:		
PREPARED BY:	DATE:	



IBLED SERIES 4'

The IBLED series LED high bays are ideal for manufacturing, warehousing, commercial and industrial facility lighting applications. The superior design makes it a sturdy, user friendly and easy to install high bay.



FEATURES AND SPECIFICATIONS

INTENDED USE:

Applications include large indoor spaces with mounting heights ranging from 10' – 75'. Luminaire shall be suspended a minimum 18" from ceiling. Surface mounting is not permitted.

CONSTRUCTION:

The body is constructed of 24 gauge, made in USA commercial grade steel with hot dip galvanized finish (6.5µm on both sides).

Finish: Paint after fabrication (PAF) of galvanized body adds high resistance to rust over its lifetime.

OPTICS:

Patented design delivers excellent distribution for warehouse applications. Semi-diffused lens optional to provide glare control and LED protection.

ELECTRICAL:

70% lumen maintenance at >60,000 hours; predicted life of more than 100,000 hours. Long-life LEDs PCB mounted, coupled with high-efficiency drivers, provide extended service life. The IBLED 4' delivers up to 137 lumens per watt and LED Lumen maintenance of L80/60,000 hours. Driver disconnect is provided where required to comply with U.S. and Canadian codes. Thermally protected driver standard.

DIMMING:

LED drivers deliver dimming from a 0-10V control signal. Dims to 10% standard. Wireless networking: EnOcean, Zigbee or EnOcean wireless technologies create a network to ensure communication between fixtures, sensors and wall stations facility-wide. This option provides superior lighting management capabilities including granular control, configuration and custom grouping for increased energy savings. Consult factory for dim to off, auxiliary power 12/20/24Vdc and 0-10V step dimming to programmable levels.

INSTALLATION:

Suitable for suspension by chain, cable, surface-mounting bracket, V-hook or single (pendant) point. Surface mounting not recommended without optional surface mounting bracket.

To maintain ambient listing, fixture should be mounted at a minimum plenum height of 18".

LISTINGS:

UL listed to US and Canadian safety standards. Damp location listed. For use in ambient operating temperatures ranging from -40°C to 40°C. DesignLights Consortium® (DLC) qualified product. Not all versions of this product may be DLC qualified. Please check the DLC Qualified Products List at www.designlights.org/QPL to confirm which versions are qualified.

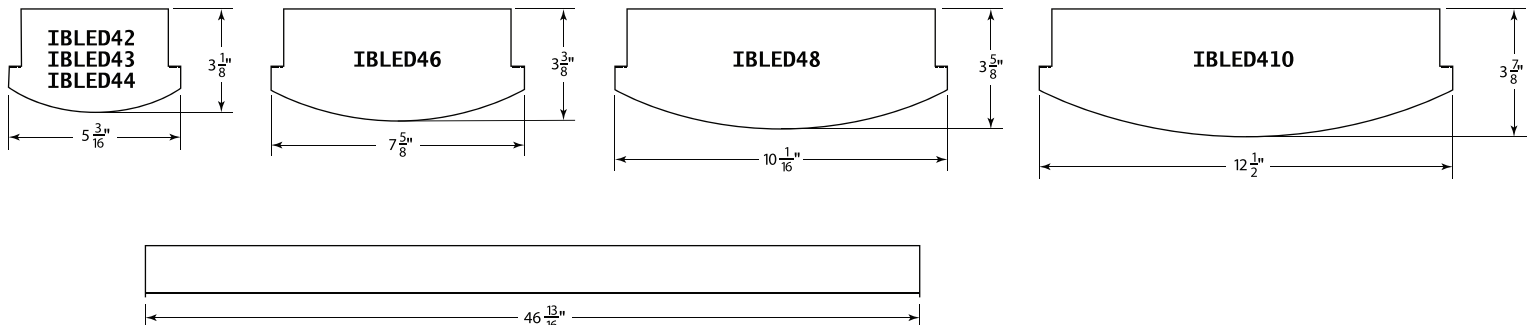
WARRANTY:

5-year limited warranty. Complete warranty terms located at:

www.tamliteusa.com/CustomerResources/Terms_and_conditions.asp

NOTE: Actual performance may differ as a result of end-user environment and application. All values are design or typical values, measured under laboratory conditions at 25 °C. Specifications subject to change without notice.

LINE DRAWING



IBLED SERIES 4'

ORDERING INFORMATION

IBLED	4	10-500D5	L8	50	HTPDWC6-L720WGX1	B20	-BK
SERIES	LENGTH	NO. OF BOARDS – LUMENS & NO. OF DRIVERS	CRI	COLOR TEMP	OPTIONS	EMERGENCY	FINISH
IBLED	[4] : 4 ft	[2-100D1] : 10000 Lumens [3-125D1] : 12500 Lumens [4-150D2] : 15000 Lumens [4-175D2] : 17500 Lumens [4-200D2] : 20000 Lumens [6-225D2] : 22500 Lumens [6-250D2] : 25000 Lumens [6-275D3] : 27500 Lumens [6-300D3] : 30000 Lumens [8-350D4] : 35000 Lumens [8-400D4] : 40000 Lumens [10-450D5] : 45000 Lumens [10-500D5] : 50000 Lumens	[L8] : CRI±80	[30] : 3000K [35] : 3500K [40] : 4000K [50] : 5000K	[F] : Fuse [GTD]: Generator Transfer Device [HT]: Hanging Triangle [LF1]: Frosted Lens [LL1]: Polycarb Lens [OS]: Occupancy Sensor [PD]: Pendant Mount [W6-3]: Flex Wip-6' 3 Wire [W6-3DIM]: Flex Wip-6' 3 Wire Dim [W6-4]: Flex Wip-6' 4 Wire 2 Cir [W6-4DIM]: Flex Wip-6' 4 Wire 2 Cir Dim [W10-3]: Flex Wip-10' 3 Wire [W10-3DIM]: Flex Wip-10' 3 Wire Dim [WC6]: Cord-6' SJ 3 Wire* [WC10]:Cord-10'SJ 3 Wire* [WC10-515]:Cord-6'SJ-515 Plug [WC10-L515]:Cord-6'SJ-L515 Locking Plug [WC10-L715]:Cord-6'SJ-L715 Locking Plug [WC10-L720]:Cord-6'SJ-L720 Locking Plug [WG] : Wire Guard [XE1]: Encelium CLM-DIM** [XE2]: Encelium WALC 20a** [XE3]: Encelium WALC-DR 20a** [XE4]: Encelium WCM 4.5a** [XE5]: Encelium WCM-DR 4.5a** [XM1]: Wireless EnOcean LC-WL-M Relay*** [XM2]: Wireless EnOcean LC-WL-M Node***	[B5] : 500 Lum Backup [B10] : 1000 Lum Backup [B15] : 1500 Lum Backup [B20] : 2000 Lum Backup	[Blank] : White [-BK] : Black

*Additional cord and plug configurations available please consult factory

**LC-WL-M wireless node by Magnum. Compatible with Magnum VEnergy based in EnOcean® communication protocol.

**CLM, WALC & WCM wireless modules by Osram Encelium. Compatible with any LMS that are based in Zigbee® communication protocol.
 (e.g. ENCELIUM® Systems by Osram & ControlScope® by Daintree Networks Lighting Management Systems.)

PERFORMANCE SPECIFICATIONS

SERIES	LUMEN PACKAGE	LUMENS @ 3000K	LPW @ 3000K	LUMENS @ 3500K	LPW @ 3500K	LUMENS @ 4000K	LPW @ 4000K	LUMENS @ 5000K	LPW @ 5000K	MAX WATTAGE	AMPS @ 120V	AMPS @ 277V
IBLED42-100D1	10000	9977	123	10146	125	10597	131	10505	130	81	0.68	0.29
IBLED43-125D1	12500	10720	131	10328	132	12453	135	12218	135	92	0.77	0.33
IBLED44-150D2	15000	14341	128	14536	130	15307	137	15022	135	112	0.93	0.40
IBLED44-175D2	17500	16584	126	16665	126	17548	134	17430	133	132	1.10	0.48
IBLED44-200D2	20000	19517	119	19531	120	20643	127	20540	127	164	1.36	0.59
IBLED46-225D2	22500	20655	128	20867	129	21834	137	21619	136	161	1.34	0.58
IBLED46-250D2	25000	23536	127	24051	130	25082	137	25096	136	185	1.55	0.67
IBLED46-275D3	27500	26213	126	26524	127	27657	133	27321	132	209	1.74	0.75
IBLED46-300D3	30000	29542	120	29552	120	31116	127	30797	126	246	2.05	0.89
IBLED48-350D4	35000	34585	121	34057	126	37411	131	37297	131	287	2.39	1.04
IBLED48-400D4	40000	38188	116	39478	120	41302	126	41317	126	330	2.75	1.19
IBLED410-450D5	45000	45826	121	46591	123	46524	127	48418	129	379	3.16	1.37
IBLED410-500D5	50000	49012	119	49468	120	48137	128	51575	126	414	3.45	1.49

IBLED SERIES 4'

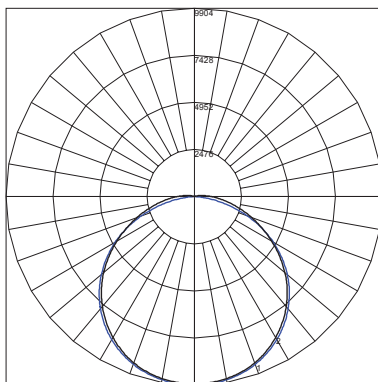
GENERAL DRIVER INFORMATION		
Type	Constant Current, Class 2	
ELECTRICAL SPECIFICATIONS		
85W		
Input		
Input Voltage (VAC)	120V-277V (+/- 10%)	
Frequency Range (Hz)	50-60 Hz (+/- 10%)	
	120V	277V
Input Current Max (A) Per Driver	0.83	0.36
THD @ Full Load	<10%	<20%
Efficiency @ Full Load	>87%	>89%
Inrush Current (Apk, T@50% of Apk) Per Driver	37.4, 150µs	84.7, 160µs
Power Factor @ Full Load	>0.9	
Output		
Output Voltage (VDC)	10-55VDC	
Output Current (mA) Per Driver	700-2300mA (1mA step)	
Output Ripple Current	<5% @ 2300mA	
Max. Output power (W) Per Driver	85W	
Over Temp. Protection	Foldback to 50% @105°C	
Dimming Control 0-10v	10%	
LED Power Up Time	<1sec	
Load Regulation	<5%	
Line Regulation	<5%	
Over Voltage Protection	Yes, non-latching	
Over Load Protection	Yes, non-latching	
Output Short-Circuit Protection	Yes, non-latching	
Aux Output Voltage	10/20/24 VDC	
Aux Voltage Current Max	40ma	

ENVIRONMENTAL SPECIFICATIONS	85W
Ambient Range	-40°C to 55°C
Frequency Range (Hz)	85°C (50kHrs) ³ 90°C max. (30kHrs)
EFT	IEC61000-4-4, Level 3
Transient Protection	ANSI C82.77-5-2015 (6kV) ² NEMA SSL 1-2010 (2.5kV)
Max. Storage Temp.	70°C
Max. Relative Humidity	85% non-condensing
EMI Compliance	FCC Part 15 Class A
Sound Rating	Class A

PHOTOMETRIC REPORTS

POLAR GRAPH

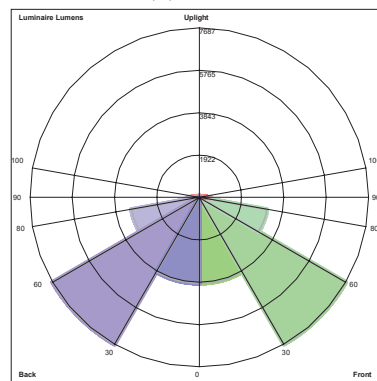
IES ROAD REPORT
 PHOTOMETRIC FILENAME : IBLED46-300D3L850.IES
 POLAR GRAPH



Maximum Candela = 9903.98 Located At Horizontal Angle = 0, Vertical Angle = .5
 # 1 - Vertical Plane Through Horizontal Angles (0 - 180) (Through Max. Cd.)
 # 2 - Vertical Plane Through Horizontal Angles (90 - 270)

LUMINAIRE CLASSIFICATION GRAPH

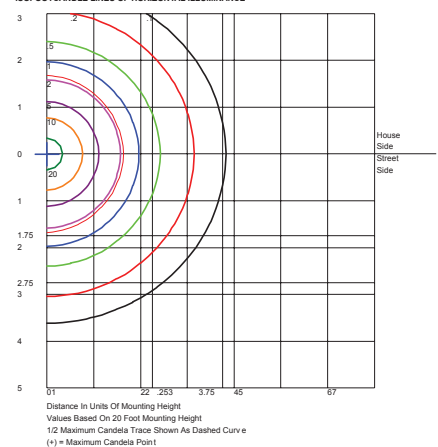
IES ROAD REPORT
 PHOTOMETRIC FILENAME : IBLED46-300D3L850.IES
 LUMINAIRE CLASSIFICATION SYSTEM (LCS) GRAPH



Luminaire Lumens:
 Front: Low=3889.9, Medium=7686.6, High=3116.9, Very High=521.4
 Back: Low=3889.9, Medium=7686.6, High=3116.9, Very High=521.4
 Upright: Low=311.0, High=63.2
 BUG Rating : B4-U3-G4

ISOCANDELA PLOT

IES ROAD REPORT
 PHOTOMETRIC FILENAME : IBLED46-300D3L850.IES
 ISOFOOTCANDLE LINES OF HORIZONTAL ILLUMINANCE

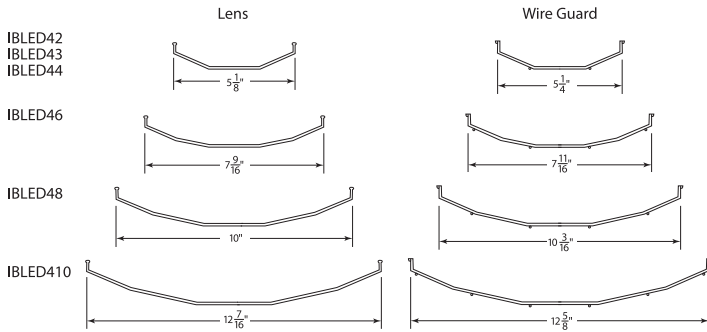


Distance In Units Of Mounting Height
 Values Based On 20 Foot Mounting Height
 1/2 Maximum Candela Trace Shown As Dashed Curve
 (*) = Maximum Candela Point

ACCESSORIES

MECHANICAL / OPTICAL

WIRE GUARDS AND LENSES



WIRE GUARD

POLYCARB LENS

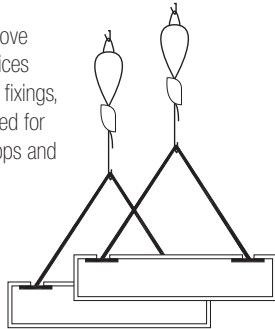
FROSTED LENS



Wire Guard can be installed in addition to either lens.

GRIPPLE AIRCRAFT CABLE HANGERS (2 PACK)

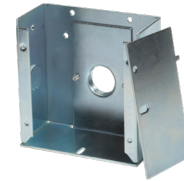
Single point suspension that allows two point to be suspended using one Gripple fastener. Two legs improve center of gravity and increases stability. Ideal for services that require maintenance. Y-Fit Toggle accessory end fixings, in Gripple size No. 2 with 5:1 Safety Factor is designed for use with a standard Gripple Hanger kit, for longer drops and increased adjustment. **SOLD SEPARATELY.**



PENDANT MOUNT SPLICE BOX

Single point hanging box splice box with 3/4" NPT mount with up to 1-1/2" off center balance adjustment. **SOLD SEPARATELY.**

DIMENSIONS:
2-3/16" x 4-1/2" x 4-1/2"



SURFACE MOUNT BRACKET

MATERIAL: 24 gauge hot dipped galvanized steel.

FINISH: Powder Coat paint after fabrication of the galvanized bracket also means that this fixture is highly resistant to rust over its lifetime. **SOLD SEPARATELY.**

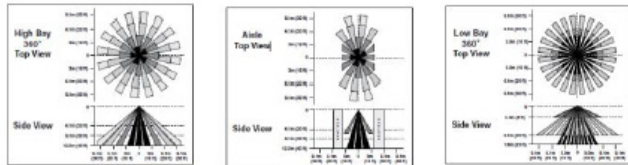
DIMENSIONS:
3-3/8" x 46-7/8"



MODELS	WIRE GUARD	FROSTED LENS	POLYCARB LENS	SURFACE MOUNT BRACKET
IBLED42, IBL43 & IBL44W	IBLED-WG-4W	IBLED4-LF1	IBLED4-LL1	TW-IB4-BR
IBLED46	IBLED-WG-6W	IBLED6-LF1	IBLED6-LL1	TW-IB4-BR
IBLED48	IBLED-WG-8W	IBLED8-LF1	IBLED8-LL1	TW-IB8-BR
IBLED410	IBLED-WG-10W	IBLED10-LF1	IBLED10-LL1	TW-IB8-BR
	10 FT	15 FT	30 FT	
Gripple Aircraft Cable Hangers (2 Pack)	HB-2PK-10FT	HB-2PK-15FT	HB-2PK-30FT	
High Bay V-Hangers (Sold Individual)	HB-4L-VHANGER	HB-6L-VHANGER		
Pendant Mount Splice Box	PD-SPLICEBOX			

CONTROLS
OCCUPANCY SENSOR
**OSFHU Passive Infrared Fixture Mount
High Bay Occupancy Sensor**


FIELD-OF-VIEW


MAGNUM WIRELESS CONTROLS
**Wireless 0-10v Node
(LC-WC-M-11647)**


The LC-WL-M 11647 Lighting Control Node in fixture responds to a variety of wireless EnOcean devices to control and dim LED drivers offers on/off control when combined with a wireless light switch or automatic shut-off when combined with a wireless occupancy sensor.

**Wireless Relay
(LC-WC-M-11610)**


The LC-WL-M 11610 Lighting Control Relay for up to 20 amp circuits responds to a variety of wireless EnOcean devices to control and dim LED drivers offers on/off control when combined with a wireless light switch or automatic shut-off when combined with a wireless occupancy sensor.

SOLD SEPARATELY.

OSRAM ENCELIUM INTEGRATED WIRELESS CONTROLS
Fixture-Integrated Connected Lighting Module (CLM)


Provides an interface between a luminaire and the ENCELIUM EDGE Controller enabling individually-addressable switching and dimming of a luminaire.

Switches or dims industry 0-10v dimming ballasts of LED Drivers.

Connected Lighting Module DIM (CLM-DIM) - Integrate the CLM-DIM directly in TamLite Fixtures to connect directly to OSRAM ENCELIUM® Lighting Management System. Individually addressable, the CLM-DIM enables each luminaire to be independently controlled and configured to wirelessly turn fixtures ON or OFF and DIM via ZigBee® standards.

Wireless Area Lighting Control (WCM) Module


Provides an interface between a luminaire and the ENCELIUM EDGE and the ENCELIUM Green Buss II Communication Networks.

Allows luminaires and occupancy sensors to communicate via Zigbee based standards. Individually addressable the WCM enables each ballast or LED driver to be independently controlled and configured.

OSRAM Wireless Control Module (WCM) - Include the WCM in TamLite fixtures to enable each LED driver to be independently controlled and configured via OSRAM ENCELIUM®. The WCM devices are Damp-Rated and enables luminaires to be turned ON or OFF via a relay contained in the module as well as delivers a low voltage dimming signal to any 0-10V dimming driver.

Wireless Area Lighting Control (WALC) Module


Provides an interface between a group or zone of luminaires and the ENCELIUM EDGE Controller enabling group or zone-based control of multiple luminaires.

Replaces the need for standard power relays or switch packs.
SOLD SEPARATELY.

OSRAM Wireless Area Lighting Control Module (WALC) - Include the WALC in your next project with TamLite to allow a group of luminaires to communicate with OSRAM ENCELIUM® over a mesh network based on ZigBee® standards. The WALC is Damp-Rated and individually addressable devices that can switch an electrical load up to 20A or a wired zone of multiple luminaires ON or OFF via an integrated high current relay while setting the zone's overall light level with a 0-10V dimming output wired to the luminaires' LED drivers.

OSRAM Integrated Components - Future-proof and flexible options to connect TamLite fixtures to OSRAM ENCELIUM® Lighting Management System

OSRAM ENCELIUM® Compatible Hardware

To get the most value from TamLite smart fixtures, we recommend OSRAM ENCELIUM®, the industry's leading Light Management System. ENCELIUM® brings together the hardware, software you need to control your entire lighting system, all from a single control pane. The Polaris 3D® software is the core element of the ENCELIUM Networked Light Management System. It facilitates the commissioning, usage, and data analysis of the lighting installation.

Learn more what OSRAM ENCELIUM can do for you at www.osram.us/encelium

OSRAM and Logo are registered trademarks of OSRAM GmbH. ENCELIUM® is a registered trademark of OSRAM SYLVANIA Inc.