



CONTRACTOR:	
PROJECT:	DATE:
PREPARED BY:	MODEL#: ROUGH

**SERIES SPECIFICATIONS**

**ROUGH Series (Painted)**



The 4" and 6" rough-in plates are ideal for easier layout planning and new construction pre-wiring. It is made of durable sheet metal (0.024), is 2' long and fits up to 24" spaced studs. Our rough-in plate is powder coated to dull the edges, reducing the risk of getting cut or injured during the installation.



**CONSTRUCTION**

**Material**

Galvanized Steel

**Material Thickness**

0.024

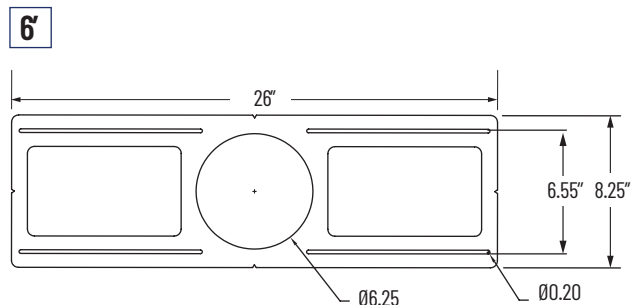
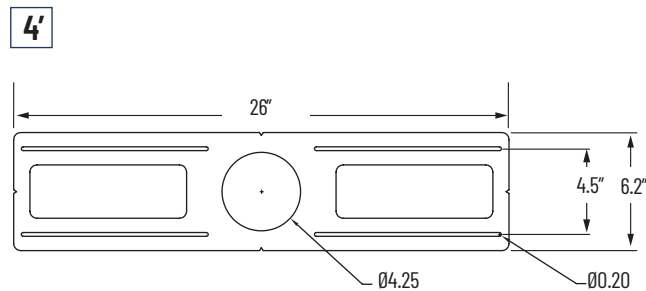
**Paint**

Paint after fabrication of the galvanized body also means that this fixture is highly resistant to rust over its lifetime.

**Color**

White

**LINE DRAWING**



**ORDERING INFORMATION**

EXAMPLE: ROUGH4

SERIES	SIZE
ROUGH	[ 4 ] : 4'
ROUGH	[ 6 ] : 6'

APPLICATION AND PERFORMANCE SPECIFICATION IS SUBJECT TO CHANGE WITHOUT NOTIFICATION