



CONTRACTOR:	
PROJECT:	DATE:
PREPARED BY:	MODEL#:

SERIES SPECIFICATIONS



TCLEDT Series

The TCLEDT Series, is a series of commercial grade recessed lighting fixtures designed and UL listed to work with LED tubes. They have been designed to allow for bypass LED Tubes. The TCLEDT Series is designed to reduce contractor installation time by adding the tubes at the factory while still keeping the UL Listing of the fixture.



FEATURES AND SPECIFICATIONS

Input Voltage

120-277 VAC

Frequency

50/60Hz

Operating Temp

-20°C ~ 45°C (-4°F ~ 113°F)

Storage Temp

-40°C ~ 85°C (-40°F ~ 185°F)

CRI

82

Lamp Shape

Linear

Power Factor

0.9

Lamp Style

Linear T8

Socket Type

G13 Bi-pin

Construction

The body is constructed of 24 gauge, made in USA commercial grade steel with hot dip galvanized finish (6.5µm on both sides). Finish: Paint after fabrication (PAF) of galvanized body adds high resistance to rust over its lifetime.

Mounting

NEMA Type G, with integral EQ/Grid clips and four corner tie points. Drivers and internal components are accessible from the floor in standard products. LED boards include plug-in connectors for future upgrades. Not intended for continuous row mounting.

Listing

UL listed to US and Canadian safety standards. Damp location listed. Fixtures are Assembled in America.

Warranty

Guaranteed for five years from the purchase date of the product, against mechanical defects in manufacturing.

Made in the USA

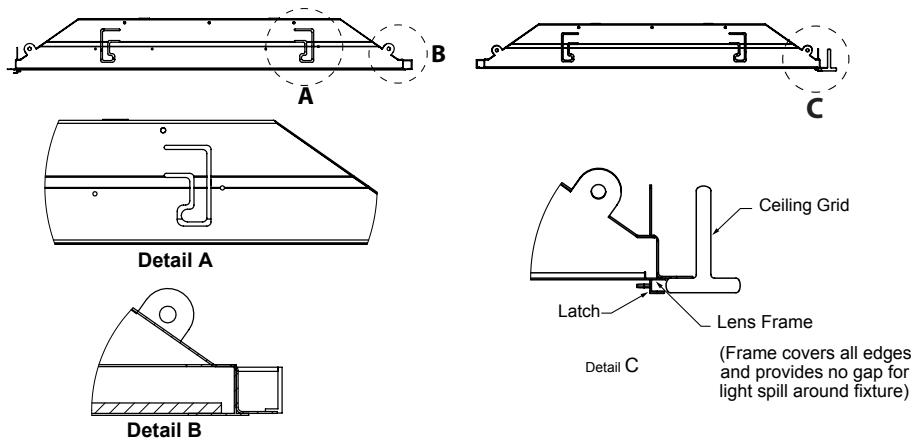
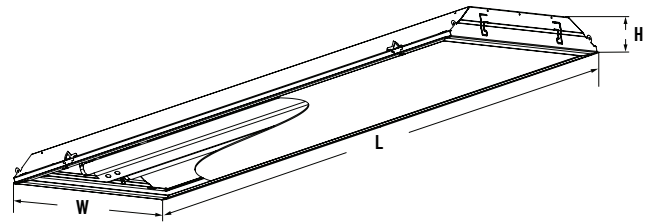
NOTE: Actual performance may differ as a result of end-user environment and application. All values are designed or typical values, measured under laboratory conditions at 20°C. Specifications subject to change without notice



CONTRACTOR:	
PROJECT:	DATE:
PREPARED BY:	MODEL#:

LINE DRAWING

DIMENSION	L	W	H
2FT	22.875"	22.875"	3"
4FT	22.875"	48.125"	3"



ORDERING INFORMATION

Example: TCLEDT22-9D1P1L840

SERIES	LENGTH	LAMP WATTAGE	LENS	LAMP QTY	LAMPS INCLUDED	LAMP WIRING	OPTIONS
TCLEDT	[22] : 2 FT X 2 FT [24] : 2 FT X 4 FT	[Blank] : No Lamps [-9] : 9W Lamp* [-18] : 18W Lamp**	[Blank] : No Lens [P1] : Pattern 12 .095 [P2] : Pattern 12 .125*** [LC1] : S80 Clear Acrylic [WG1] : White Powder Coated Wireguard	[D2] : 2 Lamps [D3] : 3 Lamps [D4] : 4 Lamps	[Blank] : No Lamps	[Blank] : Single Ended Wiring [-DE] : Double Ended Wiring	[Blank] : No Options [-EM] : Emergency Backup [-OS] : Occupancy Sensor [-W6-3] : Flex Whip-6' 3 Wire*** [-WC6-515] : Cord-6' SJ-515 Plug***
					[L] : Lamps	CRI & COLOR TEMP [840] : 4000K [850] : 5000K	

*Option only available on 2 FT fixture.
**Option only available on 4 FT fixture.
***May effect lamp performance.

**** More options available please contact factory.



CONTRACTOR:	
PROJECT:	DATE:
PREPARED BY:	MODEL#:

LAMP SPECIFICATIONS

SERIES	LAMP WATTAGE (PER LAMP)	EFFICACY (PER LAMP)	LAMP OPERATING CURRENT (PER LAMP)	LAMP LUMENS (PER LAMP)	CRI	NUMBER OF LEDS (PER LAMP)
TCLEDT22	9 Watts	128 lm/W	35-80 mA	1150 lm	82 CRI	44
TCLEDT24	18 Watts	122 lm/W	65-155 mA	2200 lm	82 CRI	80

LED TUBES SOLD SEPARATELY



TCLEDT22
 FLED9T8/840/BYPASS • 0308-8620
 FLED9T8/850/BYPASS • 0308-8623



TCLEDT24
 FLED18T8/840/BYPASS • 0308-8614
 FLED18T8/850/BYPASS • 0308-8617

