



CONTRACTOR:	
PROJECT:	DATE:
PREPARED BY:	MODEL#: ROUGH

SERIES SPECIFICATIONS

ROUGH Series (Painted)



The 4" and 6" rough-in plates are ideal for easier layout planning and new construction pre-wiring. It is made of durable sheet metal (0.024), is 2' long and fits up to 24" spaced studs. Our rough-in plate is powder coated to dull the edges, reducing the risk of getting cut or injured during the installation.



CONSTRUCTION

Material

Galvanized Steel

Material Thickness

0.024

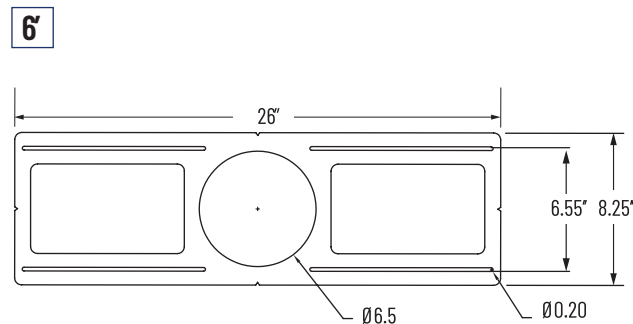
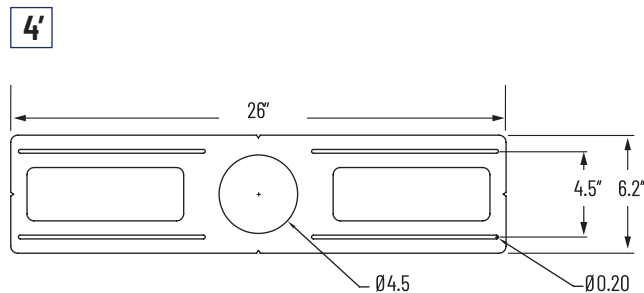
Paint

Paint after fabrication of the galvanized body also means that this fixture is highly resistant to rust over its lifetime.

Color

White

LINE DRAWING



ORDERING INFORMATION

EXAMPLE: ROUGH4

SERIES	SIZE
ROUGH	[4] : 4'
ROUGH	[6] : 6'

APPLICATION AND PERFORMANCE SPECIFICATION IS SUBJECT TO CHANGE WITHOUT NOTIFICATION