

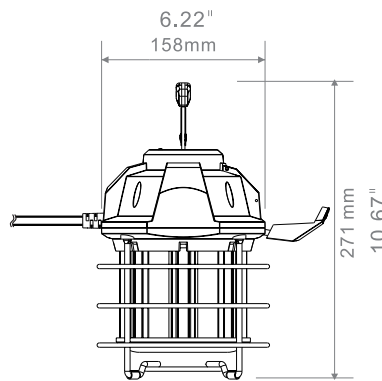
MODEL :	TYPE
PROJECT :	
PREPARED BY :	DATE :

SERIES SPECIFICATIONS

The TAWL series is designed with a handle and lamp pads which can be used as portable lights, and the hook structure of the lamp is convenient for hoisting. The plug and socket 2 or more lamps together, and the anti pull metal buckle on the lamps ensure a firm connection.



LINE DRAWING



CONSTRUCTION

Housing Material

Polycarbonate base with aluminum radiator and steel cage.

Lens Material

Polycarbonate

Finish

Yellow Base

Mounting

Hook

Cable Length

9 Ft.

PHYSICAL SPECIFICATIONS

Input Voltage

120VAC

Frequency

50/60Hz

Wattage

60W

MODEL :		TYPE
PROJECT :		
PREPARED BY :	DATE :	

ELECTRICAL SPECIFICATIONS

Power Factor
> 0.9

CRI
> 80

Input Current
< 2A

Color Temp.
5000K

THD
< 20%

Beam Angle
360°

Efficiency
100lm/W

L70 Lifespan
50000 Hrs.

LED Qty
192 LEDs

Lumens
6000 lm

Operating Temp.
-30°C ~ 40°C

CERTIFICATIONS/WARRANTY

Listing

UL Listed

Qualifications

IP64 Rated

Location Rating:

Suitable for damp locations

Warranty

Guaranteed for five years from the purchase date of the product, against mechanical defects in manufacturing.

ORDERING INFORMATION

Sample Part Number: TAWL60Y-5

TAWL	60	Y	-5
SERIES	LAMP WATTAGE	FINISH	COLOR TEMP
TAWL	[60] : 60 WATTS	[Y] : Yellow	[-5] : 5000K

NOTES

Units can be linked together up to 6 units.
Each unit includes a remote control.