



|              |         |
|--------------|---------|
| CONTRACTOR:  |         |
| PROJECT:     | DATE:   |
| PREPARED BY: | MODEL#: |

**SERIES SPECIFICATIONS**



**CLY6**

**6" Low Profile LED Down Light**

The CLY series features an ultra low-profile design at a value contractors need. The detachable junction box allows for more freedom of installation during remodels and new construction.



**CONSTRUCTION**

**Intended use:**

The CLY series is ideal for applications with restricted plenum access, as the low profile design and detachable junction box allow for installation with only 3.5" of clearance.

**Construction:**

Steel detachable junction box for flexible installation. Durable aluminum housing and trim.

**Optics:**

Precision-molded polycarbonate lenses are engineered for superior light area distribution. The CLY6 series has a beam spread of 110°.

**Electrical:**

70% lumen maintenance at >40,000 hours. Long-life LEDs, coupled with high-efficiency drivers, provide extended service life. The CLY6 delivers up to 72 lumens per watt. Driver disconnect is provided to comply with U.S. and Canadian codes. Thermally protected driver standard.

**Dimming:**

LED drivers delivers smooth continuous dimming.

**Installation:**

Remote driver allows for an easy installation to stud while the spring loaded clips in the fixture allow for quick installation while pulling the fixture flush to the mounting hole.

**Listings:**

ETL listed to US and Canadian safety standards. Wet location listed. IC Rated. For use in ambient operating temperatures ranging from -30°C to 105°C.

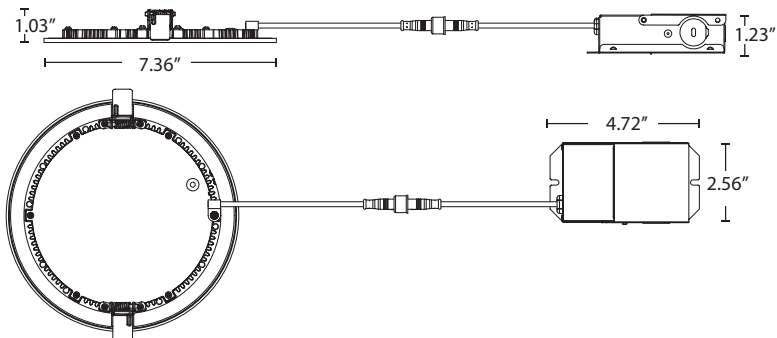
**Warranty:**

5-year limited warranty.

**NOTE:** Actual performance may differ as a result of end-user environment and application. All values are design or typical values, measured under laboratory conditions at 25 °C. Specifications subject to change without notice.

**LINE DRAWING**

Ceiling Opening:  $\varnothing$  6 1/2" (165mm)





|              |         |
|--------------|---------|
| CONTRACTOR:  |         |
| PROJECT:     | DATE:   |
| PREPARED BY: | MODEL#: |

## ORDERING INFORMATION

EXAMPLE: CLY6-30K/BK

| SERIES | SIZE       | COLOR TEMP.           | COLOR           |
|--------|------------|-----------------------|-----------------|
| CLY    | [ 6 ] : 6" | [ -27 ] : 80CRI 2700K | [ /WH ] : WHITE |
|        |            | [ -30 ] : 80CRI 3000K | [ /BK ] : BLACK |
|        |            | [ -40 ] : 80CRI 4000K | [ /SN ] : SATIN |
|        |            | [ -50 ] : 80CRI 5000K | [ /MO ] : MOCHA |

## PERFORMANCE SPECIFICATIONS

| SERIES | LUMENS | LPW | MAX WATTAGE | AMPS @ 120V |
|--------|--------|-----|-------------|-------------|
| CLY6   | 981    | 72  | 13.5        | 0.121       |

## GENERAL DRIVER INFORMATION

|                                  |                 |
|----------------------------------|-----------------|
| ELECTRICAL SPECIFICATIONS        | 13.5W           |
| <b>Input</b>                     |                 |
| Input Voltage (VAC)              | 120V            |
| Frequency Range (Hz)             | 60 Hz (+/- 10%) |
|                                  | <b>120V</b>     |
| Input Current Max (A) Per Driver | 0.1             |
| THD @ Full Load                  | < 20%           |
| Efficiency @ Full Load           | > 80%           |
| Power Factor @ Full Load         | > 0.9           |
| <b>Output</b>                    |                 |
| Output Voltage (VDC)             | 35-42VDC        |
| Output Current (mA) Per Driver   | 290mA           |

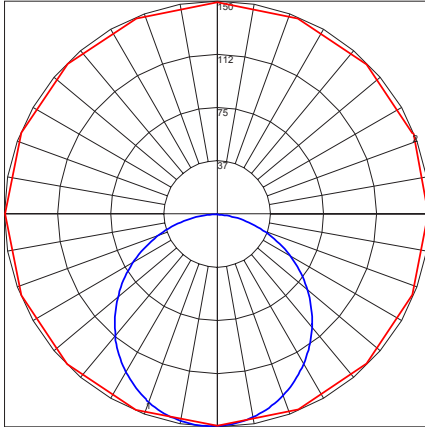


|              |         |
|--------------|---------|
| CONTRACTOR:  |         |
| PROJECT:     | DATE:   |
| PREPARED BY: | MODEL#: |

**PHOTOMETRIC REPORTS**

**POLAR GRAPH**

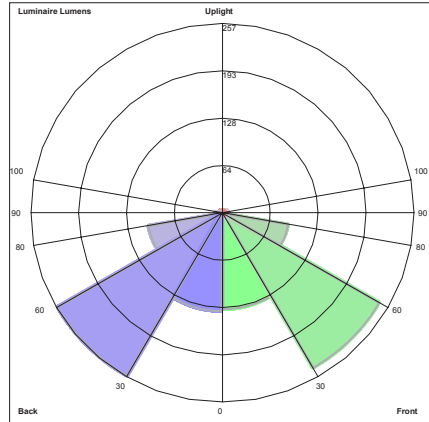
IES ROAD REPORT  
 PHOTOMETRIC FILENAME : CLY6\_IESNA2002.IES  
 POLAR GRAPH



Maximum Candela = 344.496 Located At Horizontal Angle = 202.5, Vertical Angle = 3  
 # 1 - Vertical Plane Through Horizontal Angles (202.5 - 22.5) (Through Max. Cd.)  
 # 2 - Horizontal Cone Through Vertical Angle (3) (Through Max. Cd.)

**LUMINAIRE CLASSIFICATION GRAPH**

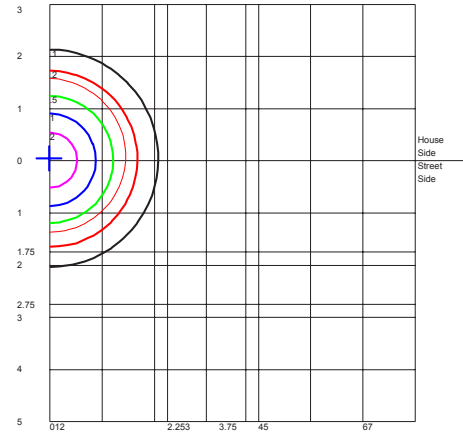
IES ROAD REPORT  
 PHOTOMETRIC FILENAME : CLY6\_IESNA2002.IES  
 LUMINAIRE CLASSIFICATION SYSTEM (LCS) GRAPH



Luminaire Lumens:  
 Front: Low=131.8, Medium=244.0, High=90.5, Very High=8.5  
 Back: Low=134.3, Medium=256.7, High=101.9, Very High=12.3  
 Uplight: Low=0.1, High=0.8  
 BUG Rating : B1-U1-G1

**ISOCANDELA PLOT**

IES ROAD REPORT  
 PHOTOMETRIC FILENAME : CLY6\_IESNA2002.IES  
 ISOFOOTCANDELA LINES OF HORIZONTAL ILLUMINANCE



Distance In Units Of Mounting Height  
 Values Based On 10 Foot Mounting Height  
 1/2 Maximum Candela Trace Shown As Dashed Curve  
 (+) = Maximum Candela Point