



CONTRACTOR:	
PROJECT:	DATE:
PREPARED BY:	MODEL#:

**SERIES SPECIFICATIONS**



**CLY4G Series**

**4" Gimbal Low Profile LED Down Light**

The CLY series features an ultra low-profile design at a value contractors need. The detachable junction box allows for more freedom of installation during remodels and new construction.



**CONSTRUCTION**

**Intended use:**

The CLY series is ideal for applications with restricted plenum access, as the low profile design and detachable junction box allow for installation with only 3.5" of clearance.

**Construction:**

Steel detachable junction box for flexible installation.  
Durable aluminum housing and trim.

**Optics:**

Precision-molded polycarbonate lenses are engineered for superior light area distribution. The CLY4G series has a beam spread of 26°.

**Electrical:**

70% lumen maintenance at >40,000 hours. Long-life LEDs, coupled with high-efficiency drivers, provide extended service life. The CLY4G delivers up to 66 lumens per watt. Driver disconnect is provided to comply with U.S. and Canadian codes. Thermally protected driver standard.

**Dimming:**

LED drivers delivers smooth continuous dimming.

**Installation:**

Remote driver allows for an easy installation to stud while the spring loaded clips in the fixture allow for quick installation while pulling the fixture flush to the mounting hole.

**Listings:**

ETL listed to US and Canadian safety standards. Wet location listed. IC Rated. For use in ambient operating temperatures ranging from -30°C to 105°C.

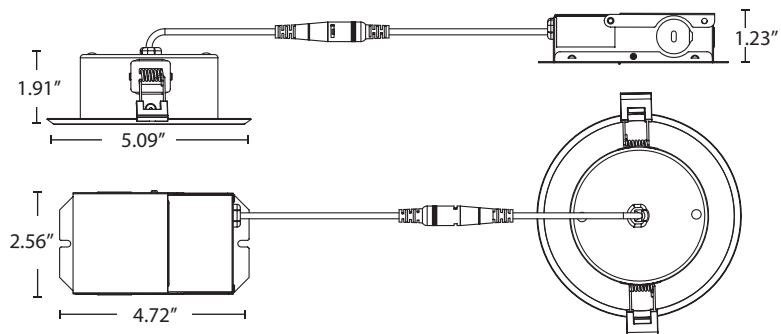
**Warranty:**

5-year limited warranty.

**NOTE:** Actual performance may differ as a result of end-user environment and application. All values are design or typical values, measured under laboratory conditions at 25 °C. Specifications subject to change without notice.

**LINE DRAWING**

Ceiling Opening:  $\varnothing$  4 1/4" (108mm)





CONTRACTOR:	
PROJECT:	DATE:
PREPARED BY:	MODEL#:

**ORDERING INFORMATION**

EXAMPLE: CLY4G-30K/BK

SERIES	SIZE	TYPE	COLOR TEMP.	COLOR
CLY	[ 4 ] : 4"	[ G ] : GIMBAL	[ -30 ] : 80CRI 3000K	[ /WH ] : WHITE
			[ -40 ] : 80CRI 4000K	[ /BK ] : BLACK

**PERFORMANCE SPECIFICATIONS**

SERIES	LUMENS	LPW	MAX WATTAGE	AMPS @ 120V
CLY4G	750	71	10.5	0.095

**GENERAL DRIVER INFORMATION**

ELECTRICAL SPECIFICATIONS	10.5W
<b>Input</b>	
Input Voltage (VAC)	120V
Frequency Range (Hz)	60 Hz (+/- 10%)
	<b>120V</b>
Input Current Max (A) Per Driver	0.1
THD @ Full Load	< 20%
Efficiency @ Full Load	> 80%
Power Factor @ Full Load	> 0.9
<b>Output</b>	
Output Voltage (VDC)	35-42VDC
Output Current (mA) Per Driver	240mA

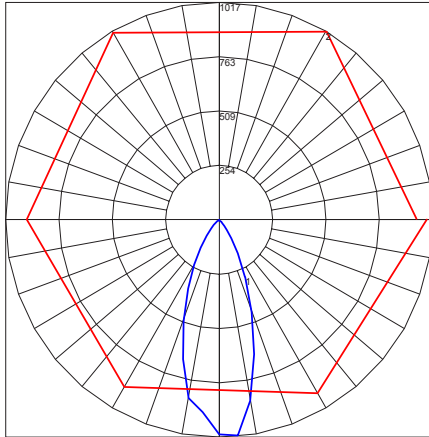


CONTRACTOR:	
PROJECT:	DATE:
PREPARED BY:	MODEL#:

**PHOTOMETRIC REPORTS**

**POLAR GRAPH**

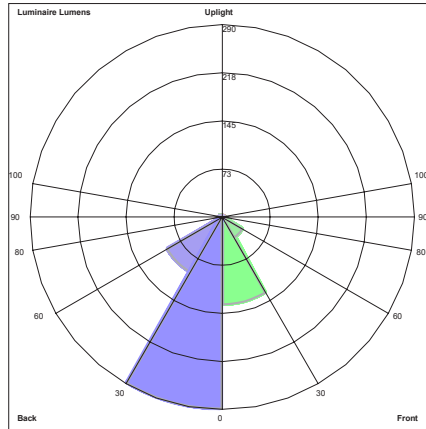
IES ROAD REPORT  
PHOTOMETRIC FILENAME : CLY4G.IES  
POLAR GRAPH



Maximum Candela = 1017.23 Located At Horizontal Angle = 60, Vertical Angle = 5  
# 1 - Vertical Plane Through Horizontal Angles (60 - 240) (Through Max. Cd.)  
# 2 - Horizontal Cone Through Vertical Angle (5) (Through Max. Cd.)

**LUMINAIRE CLASSIFICATION GRAPH**

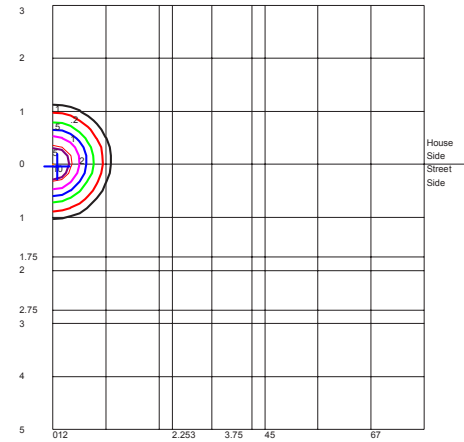
IES ROAD REPORT  
PHOTOMETRIC FILENAME : CLY4G.IES  
LUMINAIRE CLASSIFICATION SYSTEM (LCS) GRAPH



Luminaire Lumens:  
Front: Low=132.5, Medium=36.3, High=1.7, Very High=0.0  
Back: Low=290.4, Medium=97.0, High=4.1, Very High=0.0  
Uplight: Low=0.0, High=0.0  
BUG Rating : B1-U0-G0

**ISOCANDELA PLOT**

IES ROAD REPORT  
PHOTOMETRIC FILENAME : CLY4G.IES  
ISOFOOTCANDLE LINES OF HORIZONTAL ILLUMINANCE



Distance In Units Of Mounting Height  
Values Based On 10 Foot Mounting Height  
1/2 Maximum Candela Trace Shown As Dashed Curve  
(+) = Maximum Candela Point