



CONTRACTOR:	
PROJECT:	DATE:
PREPARED BY:	MODEL#:

DESCRIPTION



SPLED Series

The SPLED sports lighter is designed to provide even lighting over your outdoor area or sports court.



FEATURES AND SPECIFICATIONS

Intended Use

The SPLED sports light is a high output unit that replaces 1500W metal halide units.

Construction

Die cast aluminum housing with integral heat sink for maximum heat dissipation and long LED life.

Optics

Specialized UV and fire resistant high light transmittance polycarbonate lens.

Electrical

70% lumen maintenance at >50,000 Hours. The SPLED delivers up to 125 lumens per watt. Thermally protected driver standard.

Dimming

LED drivers deliver dimming from a 0-10V PWM VR control signal. Dims to 10% standard.

Installation

Fixture is yoke mounted. Drivers are externally mounted for maximum heat dissipation.

EPA

2.0

Listings

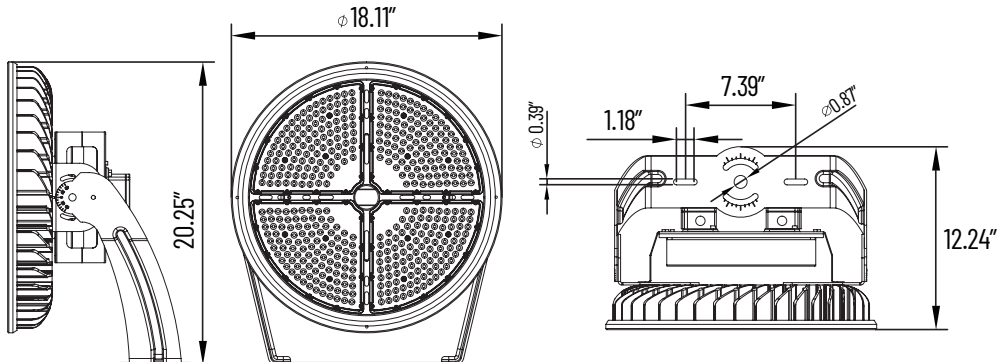
UL listed to US and Canadian safety standards. Wet location listed. Minimum starting temperature -40°C. Fixture is IP65 Rated and FCC/CE/CB/SAA/ICES/EMC compliant. DesignLights Consortium® (DLC) qualified product. Not all versions of this product may be DLC qualified. Please check the DLC Qualified Products List at www.designlights.org/OPL to confirm which versions are qualified.

Warranty

5-year limited warranty. Complete warranty terms located at: www.tamliteusa.com/CustomResources/Terms_and_conditions.asp

NOTE: Actual performance may differ as a result of end-user environment and application. All values are design or typical values, measured under laboratory conditions at 25 °C. Specifications subject to change without notice.

LINE DRAWING





CONTRACTOR:	
PROJECT:	DATE:
PREPARED BY:	MODEL#:

ORDERING INFORMATION

EXAMPLE: SPLED6005K30EYKBL

SERIES	WATTAGE	COLOR TEMP	DISTRIBUTION	VOLTAGE	MOUNTING	COLOR
SPLED	[600] : 600W	[5K] : 5000K	[30] : NEMA 4 x 4 [100] : NEMA 5 x 5	[E] : 277-480V	[YK] : Yoke	[BL] : Black

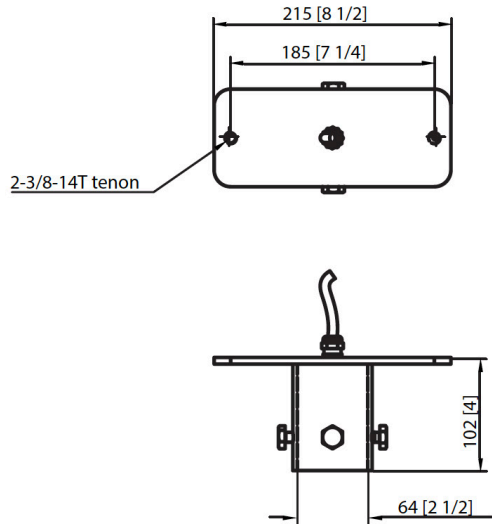
PERFORMANCE SPECIFICATIONS

SERIES	LUMENS @5000K	LPW @5000K	MAX WATTAGE	CRI	POWER FACTOR	FREQUENCY
SPLED	75000	125	603	80	0.9	50/60HZ

ACCESSORIES

SPLEDPTF

The SPLEDPTF attaches to the yoke to mount onto a 2 3/8" tenon.



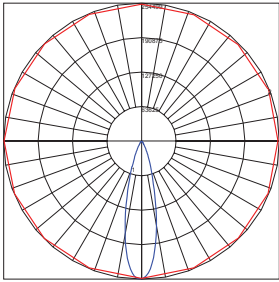


CONTRACTOR:		DATE:
PROJECT:		MODEL#:
PREPARED BY:		

PHOTOMETRIC REPORTS

POLAR GRAPH

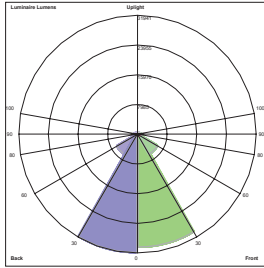
IES ROAD REPORT
PHOTOMETRIC FILENAME : SPLLED0608K03UYKBLIES
POLAR GRAPH



Maximum Candela = 254459.47, Located At Horizontal Angle = 180, Vertical Angle = 1
1 - Vertical Plane Through Horizontal Angles (180 - 0) (Through Max. Cd.)
2 - Horizontal Plane Through Vertical Angle (1) (Through Max. Cd.)

LUMINAIRE CLASSIFICATION GRAPH

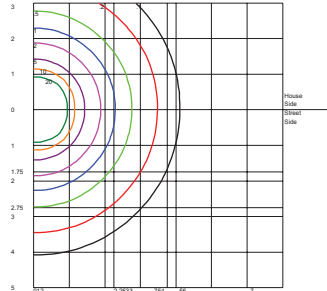
IES ROAD REPORT
PHOTOMETRIC FILENAME : SPLLED0608K03UYKBLIES
LUMINAIRE CLASSIFICATION SYSTEM (LCS) GRAPH



Luminaire Location:
Front: Low=2542.2, Medium=2542.1, High=2542.2, Very High=145.8
Back: Low=115.0, Medium=115.0, High=115.0, Very High=115.0
Uplight: Low=2.2, High=115.0
BUG Rating: 85-105-C2

ISOCANDELA PLOT

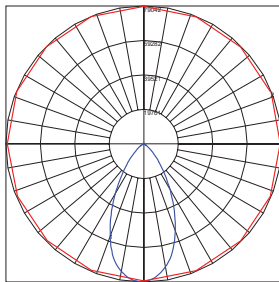
IES ROAD REPORT
PHOTOMETRIC FILENAME : SPLLED0608K03UYKBLIES
ISOCANDELA LINES OF HORIZONTAL ILLUMINANCE



Distance in Units Of Mounting Height
Values Based On 10 Foot Mounting Height

POLAR GRAPH

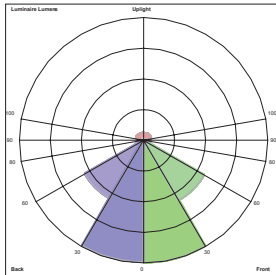
IES ROAD REPORT
PHOTOMETRIC FILENAME : SPLLED0608K100UJES
POLAR GRAPH



Maximum Candela = 75042.00, Located At Horizontal Angle = 135, Vertical Angle = 1
1 - Vertical Plane Through Horizontal Angles (135 - 225) (Through Max. Cd.)
2 - Horizontal Plane Through Vertical Angle (1) (Through Max. Cd.)

LUMINAIRE CLASSIFICATION GRAPH

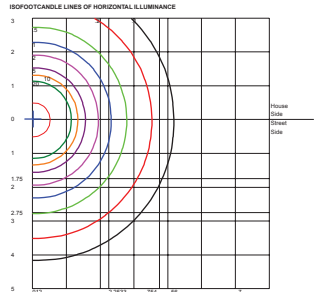
IES ROAD REPORT
PHOTOMETRIC FILENAME : SPLLED0608K100UJES
LUMINAIRE CLASSIFICATION SYSTEM (LCS) GRAPH



Luminaire Location:
Front: Low=2542.0, Medium=2542.0, High=1455.0, Very High=751.4
Back: Low=105.0, Medium=105.0, High=105.0, Very High=105.0
Uplight: Low=751.4, High=1457.0
BUG Rating: 85-105-C2

ISOCANDELA PLOT

IES ROAD REPORT
PHOTOMETRIC FILENAME : SPLLED0608K100UJES
ISOCANDELA LINES OF HORIZONTAL ILLUMINANCE



Distance in Units Of Mounting Height
Values Based On 10 Foot Mounting Height
1/2 Maximum Candela Trace Shown As Dashed Curve
(*) = Maximum Candela Point