



CONTRACTOR:	
PROJECT:	DATE:
PREPARED BY:	MODEL#:

**SERIES SPECIFICATIONS**



### TCOFL series

The TCOFL is an excellent choice where an economical, dependable light source that is color selectable.



**FEATURES AND SPECIFICATIONS**

#### Intended Use

This fixture is ideal for use in many commercial and industrial applications.

#### Construction

Die cast aluminum

#### Optics

High transmission polycarbonate

#### Electrical

Long-life LEDs PCB mounted, coupled with high-efficiency drivers, provide extended service life. The TCOFL delivers up to 140 lumens per watt. Thermally protected driver standard.

#### Mounting

Fixture is mounted using the half inch knuckle.

#### Listings

UL listed to US and Canadian safety standards. Wet location listed.

#### Operating Temperature

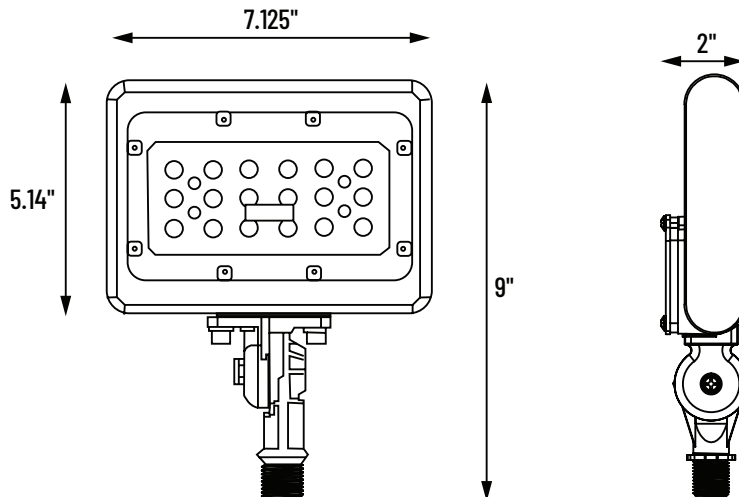
-40°C~+40°C

#### Warranty

5-year limited warranty.

NOTE: Actual performance may differ as a result of end-user environment and application. All values are design or typical values, measured under laboratory conditions at 25 °C. Specifications subject to change without notice.

**LINE DRAWING**



APPLICATION AND PERFORMANCE SPECIFICATION IS SUBJECT TO CHANGE WITHOUT NOTIFICATION



CONTRACTOR:	
PROJECT:	DATE:
PREPARED BY:	MODEL#:

**ORDERING INFORMATION**

EXAMPLE: TCOFLCS15BZK

SERIES	COLOR TEMP	WATTAGE	FINISH	MOUNTING
TCOFL	[CS] : 3000K, 4000K, 5000K	[15] : 15 Watts	[ BZ ] : Bronze	[K] : Knuckle

**PERFORMANCE SPECIFICATIONS**

SERIES	LUMENS	BEAM ANGLE	LPW	MAX WATTAGE
TCOFLCS15	1875-2100	7Hx6V	125-140	15W

**GENERAL DRIVER INFORMATION**

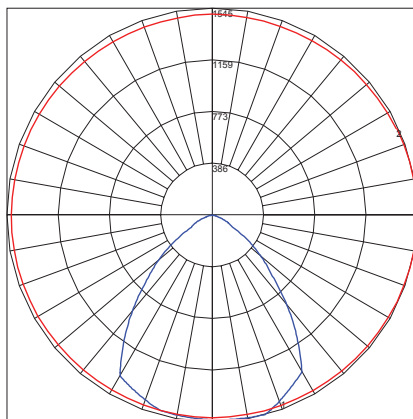
ELECTRICAL SPECIFICATIONS	15W
<b>Input</b>	
	<b>15W</b>
Input Voltage (VAC)	120V-277V (+/- 10%)
Frequency Range (Hz)	50-60 Hz (+/- 10%)
Input Current Max (A) Per Driver	0.2
Efficiency @ Full Load	>90%
Power Factor @ Full Load	>0.9

ENVIRONMENTAL SPECIFICATIONS	15W
Ambient Range	-40°C to 58°C
EMI Compliance	FCC Part 15 ANSI C63.4:2009 Class B
Sound Rating	Class B

**PHOTOMETRIC REPORTS**

**Polar Graph**

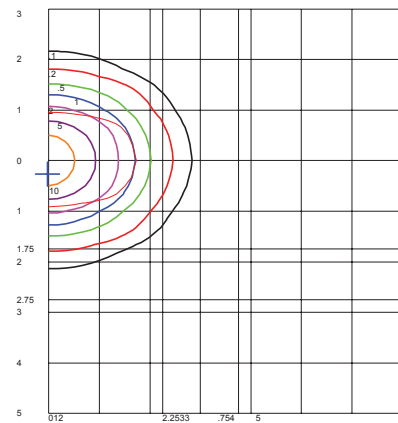
IES ROAD REPORT  
PHOTOMETRIC FILENAME : TCOFLCS30BZK-5000K.IES  
POLAR GRAPH



Maximum Candela = 1545.22 Located At Horizontal Angle = 355, Vertical Angle = 15  
# 1 - Vertical Plane Through Horizontal Angles (355 - 175) (Through Max. Cd.)  
# 2 - Horizontal Cone Through Vertical Angle (15) (Through Max. Cd.)

**Isocandela Plot**

IES ROAD REPORT  
PHOTOMETRIC FILENAME : TCOFLCS30BZK-5000K.IES  
ISOFOOTCANDLE LINES OF HORIZONTAL ILLUMINANCE



Distance In Units Of Mounting Height  
Values Based On 10 Foot Mounting Height  
1/2 Maximum Candela Trace Shown As Dashed Curve  
(\*) = Maximum Candela Point