

**ORDERING INFORMATION**

CATALOG#	WEIGHT	EPA RATING	FINISH
TCOPR190BZ	9 LBS.	0.1	DARK BRONZE

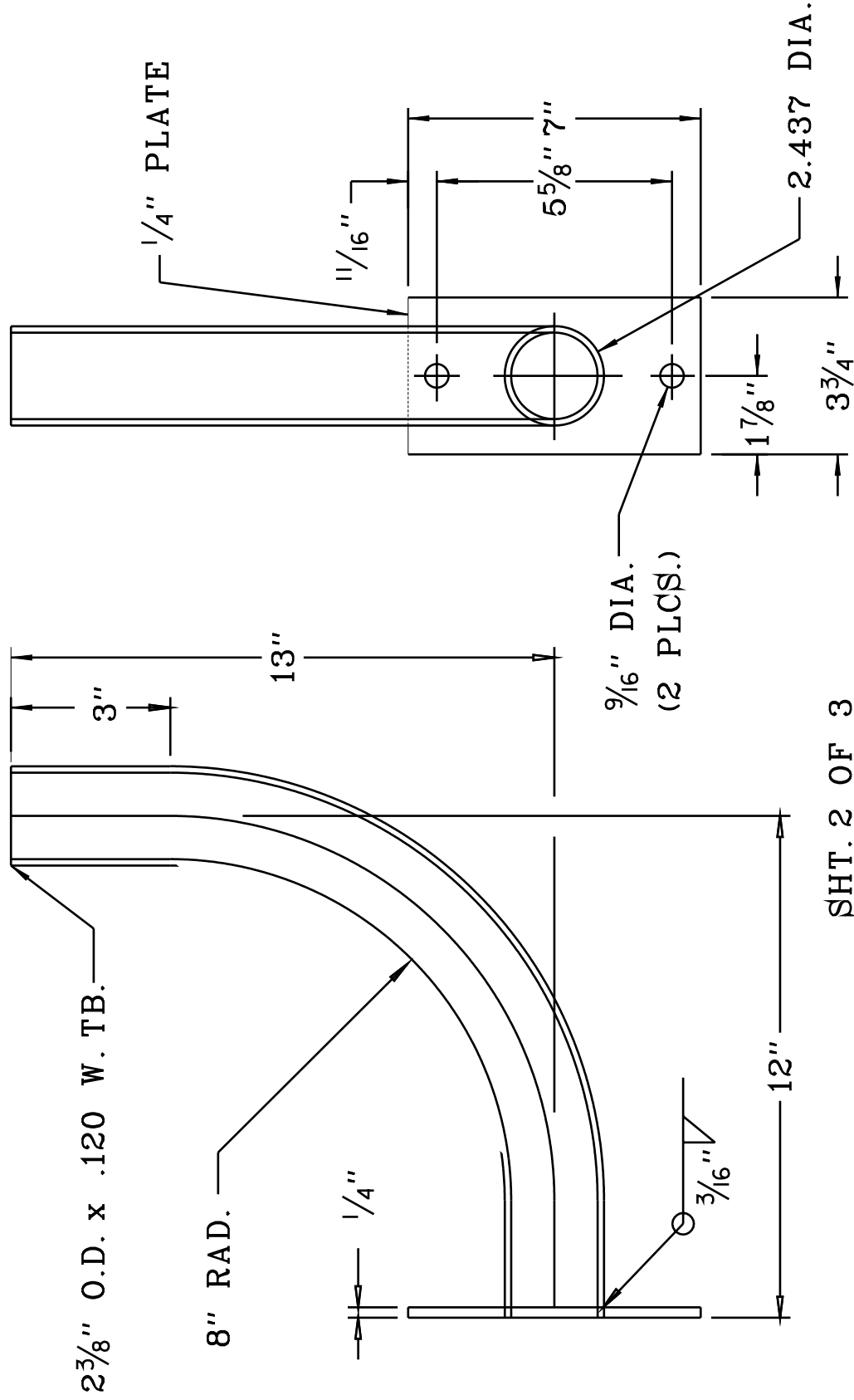
**WARRANTY:**  
 Guaranteed for one year against mechanical defects in manufacturing  
 \*\*\* SPECIFICATIONS SUBJECT TO CHANGE WITHOUT NOTICE\*\*\*

Catalog Number

Notes

Job Title

**TCOPR190BZ**  
 Wall Mount Bracket



SHT. 2 OF 3  
 FOR SHOP DWG. SEE SHT. #1