



CONTRACTOR:	
PROJECT:	DATE:
PREPARED BY:	MODEL#: CMS2 SERIES

## SERIES SPECIFICATIONS



### CMS2 SERIES

The CMS2 series of security lights provides an energy efficient way to provide safety and security to your home.



## FEATURES & SPECIFICATIONS

#### Intended Use

LED security floodlights are ideal for entrances, walkways, yards, driveways, and patios.

#### Construction

The body is constructed of durable polycarbonate and aluminum.

#### Optics

High density polyethylene lenses provide optimum light while reducing glare.

#### Electrical

70% lumen maintenance at 40,000hrs. Long-life LEDs, coupled with high-efficiency drivers, provide extended service life. Thermally protected driver standard.

#### Lumen Output

2200lm

#### Input Voltage

120 VAC

#### Installation

Fixture mounts to a recessed junction box on wall or ceiling. Adjustable heads allow for precision aiming.

#### Listings

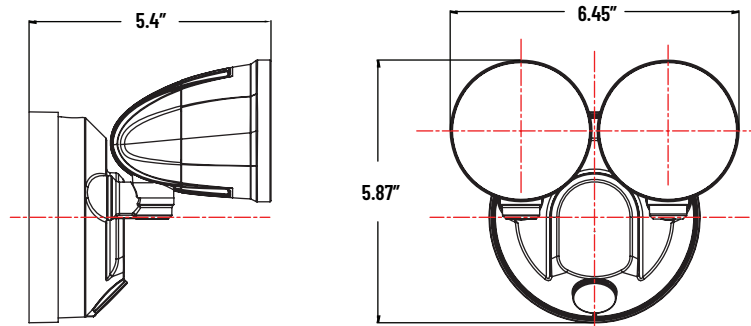
ETL listed to US and Canadian safety standards. Wet location listed. For use in ambient operating temperatures ranging from -20°C to 40°C.

#### Warranty

3-year limited warranty. Complete warranty terms located at: [www.tamliteusa.com/CustomerResources/Terms\\_and\\_conditions.asp](http://www.tamliteusa.com/CustomerResources/Terms_and_conditions.asp)

**NOTE:** Actual performance may differ as a result of end-user environment and application. All values are design or typical values, measured under laboratory conditions at 25 °C. Specifications subject to change without notice.

## LINE DRAWINGS



## PERFORMANCE SPECIFICATIONS

Example: CMS2BZ

SERIES	NO. OF HEADS	COLOR
CMS	[ 2 ] : 2 Heads	[ BZ ] : Bronze [ WH ] : White

APPLICATION AND PERFORMANCE SPECIFICATION IS SUBJECT TO CHANGE WITHOUT NOTIFICATION