



MODEL:		TYPE
PROJECT:		
PREPARED BY:	DATE:	

## CTIVLED SERIES

The CTIVLED series volumetric direct/indirect with center light channel provide quality light with modern styling and high visual comfort.



## FEATURES AND SPECIFICATIONS

### INTENDED USE:

The modern design and performance make it ideal for use in airport, retail, education and commercial office buildings where low glare, high quality and clean lines are required.

### CONSTRUCTION:

The body is constructed of durable steel.

### OPTICS:

Specialized low profile drop basket diffuser covers provide smooth even light.

### ELECTRICAL:

70% lumen maintenance at 50,000hrs.. Long-life LEDs, coupled with high-efficiency drivers, provide extended service life. Driver disconnect is provided to comply with U.S. and Canadian codes. Thermally protected driver standard."

### DIMMING:

LED drivers deliver dimming from a 0-10V control signal. Dims to 10% standard.

### INSTALLATION:

Not intended for continuous row mounting. Luminaire shall be recessed mounted into a ceiling. Surface or suspension mounting is not permitted. NEMA Type G, with integral EQ/Grid clips and four corner tie points.

### LISTINGS:

UL listed to US and Canadian safety standards. Damp location listed. For use in ambient operating temperatures ranging from -20°C to 40°C.

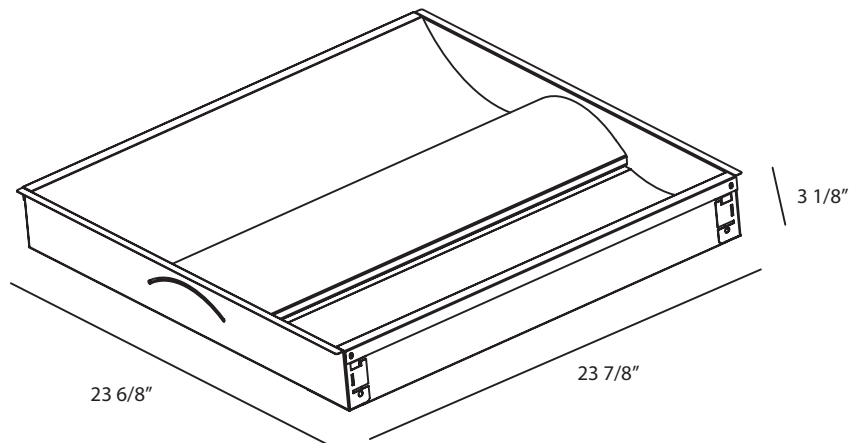
### WARRANTY:

5-year limited warranty. Complete warranty terms located at:

[www.tamliteusa.com/CustomerResources/Terms\\_and\\_conditions.asp](http://www.tamliteusa.com/CustomerResources/Terms_and_conditions.asp)

NOTE: Actual performance may differ as a result of end-user environment and application. All values are design or typical values, measured under laboratory conditions at 25 °C. Specifications subject to change without notice.

## LINE DRAWING



**ORDERING INFORMATION**

SERIES	SIZE	LUMENS	COLOR TEMP
CTIVLED	[22] : 2' X 2'	[-40] : 4000 Lumens	[CS] : 3500/4000/5000K

**PERFORMANCE SPECIFICATIONS**

SERIES	LUMEN PACKAGE	LUMENS	LPW
CTIVLED22-40	4000	4200	105

GENERAL DRIVER INFORMATION	
Type	Constant Current, Class 2
ELECTRICAL SPECIFICATIONS	
<b>40W</b>	
Input	
Input Voltage (VAC)	120V-277V (+/- 10%)
Frequency Range (Hz)	50-60 Hz (+/- 10%)
Input Current Max (A) Per Driver	0.42
THD @ Full Load	<15%
Efficiency @ Full Load	>86%
Inrush Current	120VAC @ 25 DEG C: <35Amp peak
Power Factor @ Full Load	>0.9
Output	
Output Voltage (VDC)	50VDC Max
Output Current (mA) Per Driver	760 – 840mA
Output Ripple Current	r<5% ((pk-pk/2)/Imean)
Max. Output power (W) Per Driver	40W
Dimming Control 0-10v	10%
LED Power Up Time	<1sec
Load Regulation	<1.5%
Line Regulation	<1.5%
Over Voltage Protection	Yes
Output Short-Circuit Protection	Yes

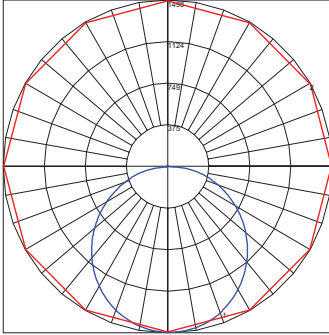
ENVIRONMENTAL SPECIFICATIONS	40W
Ambient Range	-20°C to 55°C
Max. Storage Temp.	85°C
Max. Relative Humidity	85% non-condensing
EMI Compliance	FCC Part 15 Class A
Sound Rating	Class A

**PHOTOMETRIC REPORTS**

**POLAR GRAPH**

IES ROAD REPORT  
PHOTOMETRIC FILENAME : CTIVLED-CS 2X2 40W 5000K IES

POLAR GRAPH

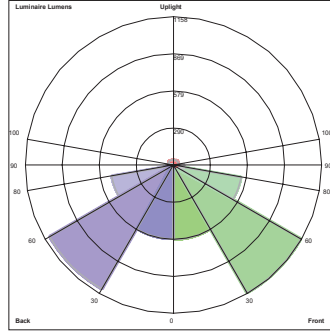


Maximum Candela = 1496.38 Located At Horizontal Angle = 330, Vertical Angle = 1  
# 1 - Vertical Plane Through Horizontal Angles (330 - 150) (Through Max. Cd.)  
# 2 - Horizontal Cone Through Vertical Angle (1) (Through Max. Cd.)

**LUMINAIRE CLASSIFICATION GRAPH**

IES ROAD REPORT  
PHOTOMETRIC FILENAME : CTIVLED-CS 2X2 40W 5000K IES

LUMINAIRE CLASSIFICATION SYSTEM (LCS) GRAPH

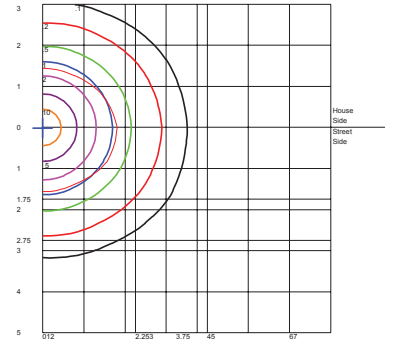


Luminaire Lumens:  
Front: Low=583.3, Medium=1156.4, High=542.9, Very High=87.1  
Back: Low=62.8, Medium=124.5, High=495.7, Very High=8.8  
Uplight: Low=5.8, High=46.1  
BUG Rating : 82-122-G1

**ISOCANDELA PLOT**

IES ROAD REPORT  
PHOTOMETRIC FILENAME : CTIVLED-CS 2X2 40W 5000K IES

ISOFOTOCANDELA LINES OF HORIZONTAL ILLUMINANCE



Distance in Units of Mounting Height  
Values Based On 10 Foot Mounting Height  
1/2 Maximum Candela Trace Shown As Dashed Curve  
(\*) = Maximum Candela Point