



CONTRACTOR:		DATE:
PROJECT:		
PREPARED BY:	MODEL#: W2LEDWSCS	

SERIES SPECIFICATIONS



W2LED SERIES

Wattage/Color Selectable LED Wall Pack

The W2LED wall pack with its traditional body style is an ideal replacement for HID wall packs. Advantages include long life, instant on/off and lower energy consumption.



FEATURES AND SPECIFICATIONS

Intended Use

The W2LED wall pack's traditional body style helps maintain building aesthetics when replacing existing wall packs. The fixture is ideal for outdoor applications such as parking areas, driveways and loading areas.

Construction

Die cast aluminum housing with removable hinged door with gasket and captive corrosion resistant stainless steel screws. 1/2" coin plugs with O-rings for conduit entry or photocell installation on both sides and top. Finish: Durable powdercoat finish.

Optics

Molded wedge shaped prismatic surface borosilicate glass lens provides a beam angle of 120°

Electrical

Long-life LEDs, coupled with high-efficiency drivers, provide extended service life. The W2LED delivers up to 126 lumens per watt. Thermally protected driver standard.

Dimming

0-10V

Installation:

Fixture has cast-in template for mounting directly over a 4" recessed box or 1/2" coin plugs with O-rings for surface mount conduit connection.

Listings

UL listed to US and Canadian safety standards. Wet location listed. For use in ambient operating temperatures ranging from -40°C to 40°C. DesignLights Consortium® (DLC) qualified product. Not all versions of this product may be DLC qualified. Please check the DLC Qualified Products List at www.designlights.org/QPL to confirm which versions are qualified.

Photocell

Integrated photocell with ON/OFF switch

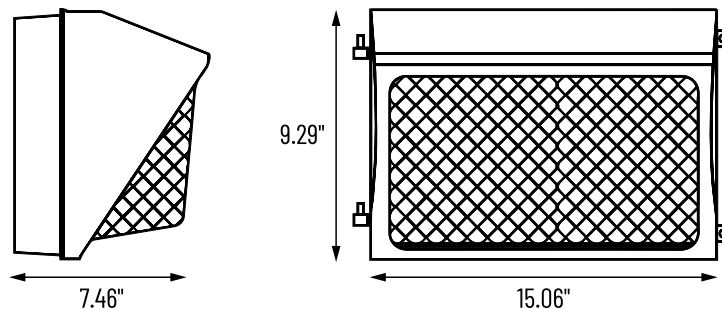
Warranty

5-year limited warranty.

NOTE: Actual performance may differ as a result of end-user environment and application. All values are design or typical values, measured under laboratory conditions at 25 °C. Specifications subject to change without notice.

Fixture is dark sky compliant when full cutoff visor (not included) is installed.

LINE DRAWING



APPLICATION AND PERFORMANCE SPECIFICATION IS SUBJECT TO CHANGE WITHOUT NOTIFICATION



CONTRACTOR:	
PROJECT:	DATE:
PREPARED BY:	MODEL#: W2LEDWSCS

ORDERING INFORMATION

EXAMPLE: W2LEDWSCS

SERIES	WATTAGE	COLOR TEMP	BODY COLOR
W2LED	[WS] : Selectable 50W/60W/80W	[CS] : Selectable 3000K/4000K/5000K	[BLANK] : Bronze
			[WH] : White

PERFORMANCE SPECIFICATIONS

GENERAL DRIVER INFORMATION

ELECTRICAL SPECIFICATIONS	80W	
Input		
Input Voltage (VAC)	120V-277V (+/- 10%)	
Frequency Range (Hz)	50-60 Hz (+/- 10%)	
	120V	277V
Input Current Max (A) Per Driver	1	0.36
THD @ Full Load	<15%	<20%
Efficiency @ Full Load	92%	>89%
Power Factor @ Full Load	>0.9	
Output		
Dimming	0-10V	

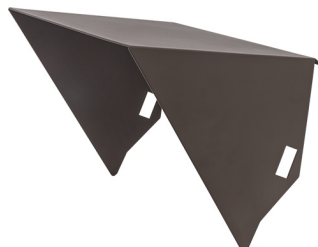
Lumens	Efficacy
10005Lm	126 Lm/W

ENVIRONMENTAL SPECS	80W
Ambient Range	-40°C to 58°C
Max. Storage Temp.	85°C
EMI Compliance	FCC Part 15 ANSI C63.4:2009 Class B

ACCESSORIES

VISOR

- W2-VISOR (Bronze)
- W2-VISOR WH (White)



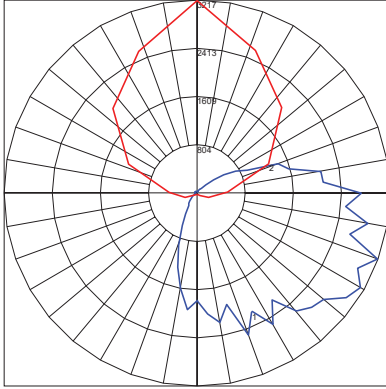


CONTRACTOR:	
PROJECT:	DATE:
PREPARED BY:	MODEL#: W2LEDWSCS

PHOTOMETRIC REPORTS

POLAR GRAPH

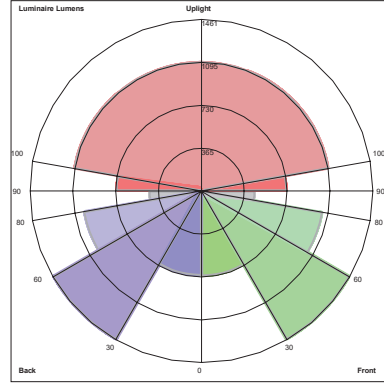
IES ROAD REPORT
PHOTOMETRIC FILENAME : W2LEDWSCS.IES
POLAR GRAPH



Maximum Candela = 3217.46 Located At Horizontal Angle = 90, Vertical Angle = 70
1 - Vertical Plane Through Horizontal Angles (90 - 270) (Through Max. Cd.)
2 - Horizontal Cone Through Vertical Angle (70) (Through Max. Cd.)

LUMINAIRE CLASSIFICATION GRAPH

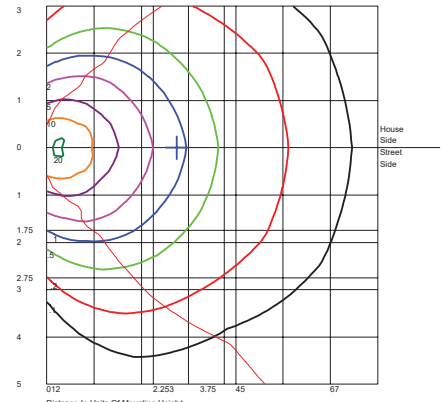
IES ROAD REPORT
PHOTOMETRIC FILENAME : W2LEDWSCS.IES
LUMINAIRE CLASSIFICATION SYSTEM (LCS) GRAPH



Luminaire Lumens:
Front: Low=723.8, Medium=1460.0, High=1048.1, Very High=458.0
Back: Low=719.0, Medium=1490.0, High=1018.0, Very High=447.0
Uplight: Low=728.3, High=1101.7
BUG Rating: B3-US-G3

ISOCANDELA PLOT

IES ROAD REPORT
PHOTOMETRIC FILENAME : W2LEDWSCS.IES
ISOCANDELA LINES OF HORIZONTAL ILLUMINANCE



Distance In Units Of Mounting Height
Values Based On 10 Foot Mounting Height
1/2 Maximum Candela Trace Shown As Dashed Curve
(*) = Maximum Candela Point