



CONTRACTOR:	
PROJECT:	DATE:
PREPARED BY:	MODEL#: TCOSTRD

SERIES SPECIFICATIONS



TCOSTRD Series

The TCOSTRD series of step lights provide years of maintenance-free illumination for outdoor use in residential & commercial applications.



CONSTRUCTION

Intended use

The TCOSTRD series is ideal for applications such as lighting walkways and stairways.

Construction

Durable ADC12 Aluminum housing with bronze powdercoat finish.

Optics

Precision made polycarbonate optical lens is engineered for superior light area distribution. Lens is anti-UV and fire resistant. The TCOSTRD series has a beam spread of 65°x110°.

Electrical

Long-life LEDs PCB mounted, coupled with high-efficiency drivers, provide extended service life. The TCOSTRD delivers up to 100 lumens per watt. Thermally protected driver standard.

Installation

Fixture is wall mounted or can be mounted using mounting post accessory.

Listings

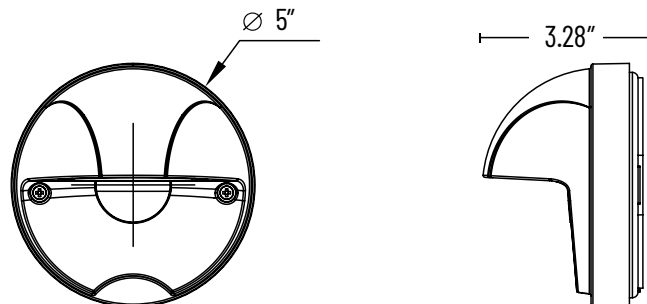
UL listed to US and Canadian safety standards. Wet location listed. For use in ambient operating temperatures ranging from -40°C~+40°C.

Warranty

5-year limited warranty

NOTE: Actual performance may differ as a result of end-user environment and application. All values are design or typical values, measured under laboratory conditions at 25 °C. Specifications subject to change without notice.

LINE DRAWING





CONTRACTOR:	
PROJECT:	DATE:
PREPARED BY:	MODEL#: TCOSTRD

ORDERING INFORMATION

EXAMPLE: TCOSTRD3006BZ

SERIES	BODY	COLOR TEMP	WATTAGE	COLOR
TCOSTRD	[RD] : Round	[30] : 3000K	[06] : 6 Watts	[BZ] : Bronze
		[50] : 5000K		

PERFORMANCE SPECIFICATIONS

SERIES	LUMENS @ 3000K	LPW @ 3000K	LUMENS @ 5000K	LPW @ 5000K	MAX WATTAGE
TCOSTRD	560	93.3	600	100	6W

GENERAL DRIVER INFORMATION

ELECTRICAL SPECIFICATIONS	6W	
Input		
Input Voltage (VAC)	120V-277V (+/- 10%)	
Frequency Range (Hz)	50-60 Hz (+/- 5%)	
	120V	277V
Max. Input Current Max (A) Per Driver	0.15	0.15
THD @ Full Load	<20%	<20%
Efficiency @ Full Load	85%	85%
Inrush Current (Apk, T@50% of Apk) Per Driver	20A	20A
Power Factor @ Full Load	0.9	
Output		
Output Voltage (VDC)	21-28VDC	
Output Current (mA) Per Driver	210mA	
Max. Output power (W) Per Driver	6	
Over Temp. Protection	YES	
LED Power Up Time	<1sec	
Load Regulation	±5%	
Line Regulation	±5%	
Over Voltage Protection	YES	
Output Short-Circuit Protection	YES	

ENVIRONMENTAL SPECIFICATIONS	6W
Ambient Range	-40°C to 40°C
Max. Storage Temp.	85°C
EMI Compliance	FCC Part 15 ANSI C63.4:2009 Class B
Sound Rating	Class B

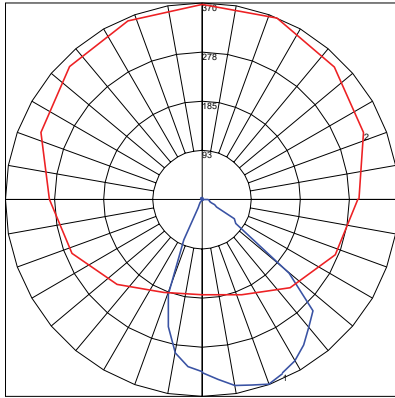


CONTRACTOR:	
PROJECT:	DATE:
PREPARED BY:	MODEL#: TCOSTRD

PHOTOMETRIC REPORTS

POLAR GRAPH

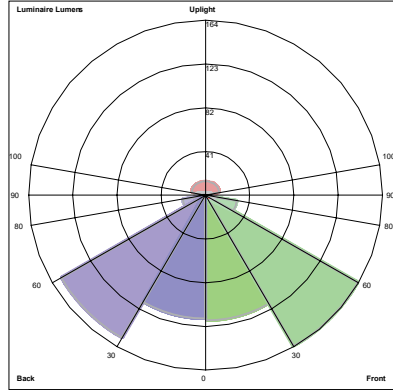
IES ROAD REPORT
 PHOTOMETRIC FILENAME : TCOSTRD3006BZ.IES
 POLAR GRAPH



Maximum Candela = 370.17 Located At Horizontal Angle = 67.5, Vertical Angle = 20
 # 1 - Vertical Plane Through Horizontal Angles (67.5 - 247.5) (Through Max. Cd.)
 # 2 - Horizontal Cone Through Vertical Angle (20) (Through Max. Cd.)

LUMINAIRE CLASSIFICATION GRAPH

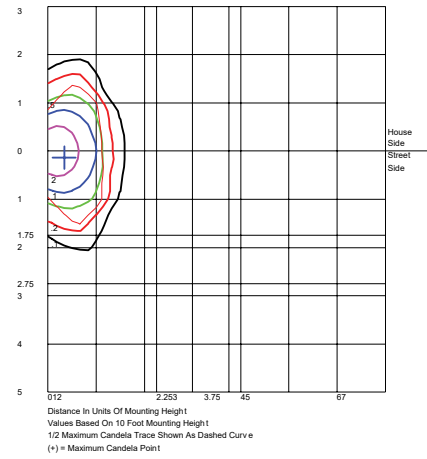
IES ROAD REPORT
 PHOTOMETRIC FILENAME : TCOSTRD3006BZ.IES
 LUMINAIRE CLASSIFICATION SYSTEM (LCS) GRAPH



Luminaire Lumens:
 Front: Low=118.1, Medium=164.1, High=30.3, Very High=0.0
 Back: Low=116.4, Medium=155.1, High=22.2, Very High=2.8
 Uplight: Low=4.2, High=13.8
 BUG Rating : B1-U2-G0

ISOCANDELA PLOT

IES ROAD REPORT
 PHOTOMETRIC FILENAME : TCOSTRD3006BZ.IES
 ISOCANDELA PLOT



Distance In Units Of Mounting Height
 Values Based On 10 Foot Mounting Height
 1/2 Maximum Candela Trace Shown As Dashed Curve
 (*) = Maximum Candela Point

ACCESSORIES



TCOSTSPT18BZ

18" Bronze Single Mounting Post for TCOST.
 (Not Included)