



CONTRACTOR:	
PROJECT:	DATE:
PREPARED BY:	MODEL#:

DESCRIPTION



JBD-CS Series

The JBD series recessed down light is designed to retrofit into an electrical junction box and features a color temperature selection ranging from 2700K all the way to 5000K. This multi-application fixture, available in 4" and 6" is designed to be a one stop solution to junction box retrofit needs.



PHYSICAL SPECIFICATIONS

Installation

Junction box mount ideal for retrofit and new construction applications.

Construction

Stamped aluminum white painted body

Optics

Polycarbonate lens

Dimming

Triac dimming 10-100%

Operating Temperature

-20°C - 40°C

Warranty

5-year limited warranty.

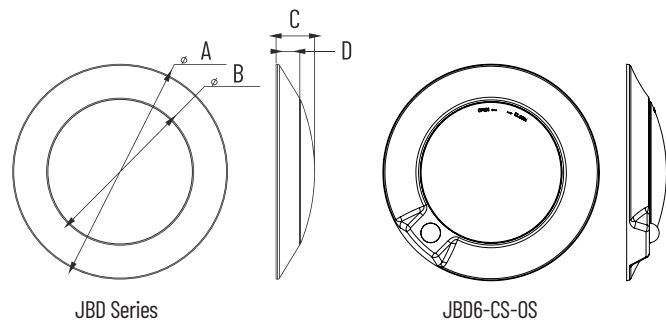
Listings

ETL listed to US and Canadian safety standards. Wet location listed.

NOTE: Actual performance may differ as a result of end-user environment and application. All values are design or typical values, measured under laboratory conditions at 25 °C. Specifications subject to change without notice

LINE DRAWING

SERIES	SIZE	A	B	C	D
JBD4	4"	5.98"	4.17"	1.22"	0.71"
JBD6	6"	7.48"	5.04"	1.34"	0.83"





CONTRACTOR:	
PROJECT:	DATE:
PREPARED BY:	MODEL#:

ORDERING INFORMATION

Example: JBD6-CS

SERIES	SIZE	COLOR TEMP	OPTIONS	HOUSING COLOR
JBD	[4] : 4" [6] : 6"	[CS] : 27K/30K/35K/40K/50K	[-OS] : Occupancy PIR Sensor (On/Off)*	[BLANK] : White [-BZ] : Bronze [-BK] : Black

*Occupancy sensor only available with white housing.
Timer can be adjusted via dip switch to 60/180/300 seconds (1/3/5 minutes).

LIGHTING SPECIFICATIONS

SERIES	COLOR TEMP	LUMENS	LPW	WATTAGE	VOLTAGE	CRI
JBD6-CS	5000K	1030	69.4	16	120	90
JBD6-CS	3500K	1130	76.2	16	120	90
JBD6-CS	2700K	980	66.5	16	120	90
JBD4-CS	5000K	780	73.8	11	120	90
JBD4-CS	3500K	830	78.9	11	120	90
JBD4-CS	2700K	740	69.8	11	120	90

ELECTRICAL SPECIFICATIONS

SERIES	JBD6-CS	JBD4-CS
Nominal W	16W	11W
Input Voltage (VAC)	120V	120V
Frequency Range (Hz)	60 HZ	60 HZ
Power Factor @ Full Load	>0.9	>0.9
Dimming Control	Triac dimming 10 -100%	Triac dimming 10 -100%
Operating Temperature	-20°C - 40°C	-20°C - 40°C

APPLICATION AND PERFORMANCE SPECIFICATION IS SUBJECT TO CHANGE WITHOUT NOTIFICATION