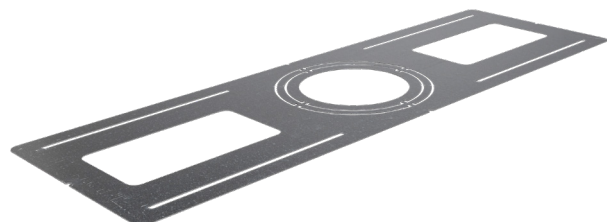




CONTRACTOR:	
PROJECT:	DATE:
PREPARED BY:	MODEL#: ROUGH

DESCRIPTION



ROUGH Series

The 4", 5" and 6" rough-in plates are ideal for easier layout planning and new construction pre-wiring. It is made of durable sheet metal (0.024), is 2' long and fits up to 24" spaced studs.



CONSTRUCTION

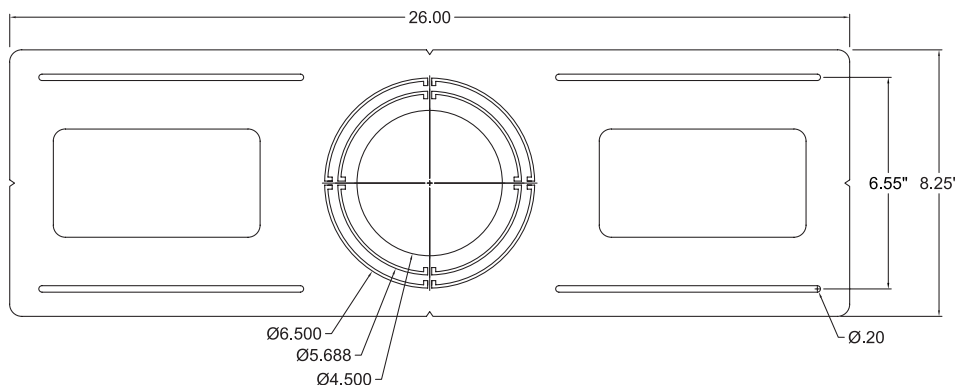
Material

Galvanized Steel

Material Thickness

0.024

LINE DRAWING



ORDERING INFORMATION

EXAMPLE: ROUGH4-5-6-NP

SERIES	SIZE	FINISH
ROUGH	[4-5-6]: 4" 5" 6"	[-NP]: Non Painted

APPLICATION AND PERFORMANCE SPECIFICATION IS SUBJECT TO CHANGE WITHOUT NOTIFICATION