

CONTRACTOR:	
PROJECT:	DATE:
PREPARED BY:	MODEL#: CH-8

SERIES SPECIFICATIONS



CH-8

Properly replace commercial-grade recessed downlights with the unbeatable longevity and energy efficiency of LED. The built-in spring clips hold onto drywall directly allowing the CH series to be installed without a frame, making installation faster and more cost effective.



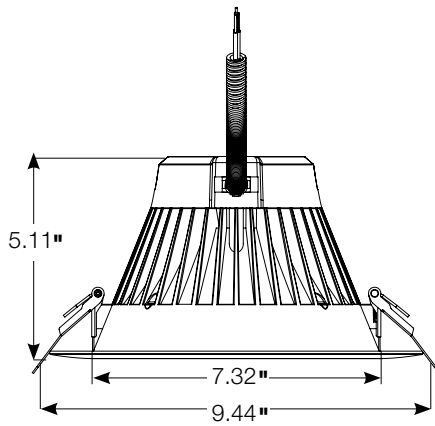
CONSTRUCTION

Housing Material: Aluminum
Mounting Style: Spring Clips

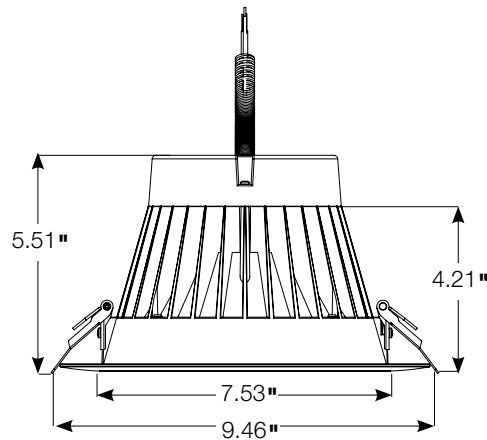
LED Driver: Electronic Driver
Lens Material: Frosted Plastic

Finish: White

LINE DRAWINGS



38W : 3000 lm



51W : 5000 lm

ELECTRICAL SPECIFICATIONS

Input Voltage: 120-277VAC
CRI: 38W : > 80 | 51W : > 90
Input Wattage: 38W & 51W
Efficacy: 38W : 78lm/W | 51W : 98lm/W
Power Factor: >0.9

Beam Angle: 90°
Frequency: 60Hz
Dimming: 0-10%
Lifespan: 50,000hrs.
Color Temp.: 3000K, 4000K, & 5000K

Min. Starting Temp.: -25°C
THD: <20%
Lumens: 38W : 3000Lm | 51W : 5000Lm
Max. Temp.: 104°F (40°C)



CONTRACTOR:	
PROJECT:	DATE:
PREPARED BY:	MODEL#: CH-8

CERTIFICATIONS/WARRANTY

Listing: ETL Listed

Location Rating: Suitable for wet locations

Warranty: Guaranteed five years from the purchase date of the product, against mechanical defects in manufacturing.

ORDERING INFORMATION

Example: CH-8-3830-WH-UZTD

SERIES	SIZE	WATTAGE	COLOR TEMP.	FINISH	DIMMING
CH	[-8]: 8"	[-38]: 38 Watts	[30]: 3000K	[-WH]: White	[-UZTD]: Dimmable
		[-51]: 51 Watts	[40]: 4000K		
			[50]: 5000K		

COMPATIBLE DIMMER LIST

BRAND	MODEL
Sylvania	45167
Leviton Decora	IP710-LFZ
Lutron Diva	DVSTV-WH
Cooper	DF10P-C1

