

CONTRACTOR:	
PROJECT:	DATE:
PREPARED BY:	MODEL#:

## SERIES SPECIFICATIONS



### CLY6G-CCTA/WH

#### 6" Gimbal Color Selectable Low Profile LED Down Light

The CLY series features an ultra low-profile design at a value contractors need. The detachable junction box allows for more freedom of installation during remodels and new construction. Color selectable switch on driver.



## CONSTRUCTION

#### Intended use:

The CLY series is ideal for applications with restricted plenum access, as the low profile design and detachable junction box allow for installation with only 3.5" of clearance.

#### Construction:

Steel detachable junction box for flexible installation.  
Durable aluminum housing and trim.

#### Optics:

Precision-molded polycarbonate lenses are engineered for superior light area distribution. The CLY6 series has a beam spread of 110°.

#### Electrical:

70% lumen maintenance at >40,000 hours. Long-life LEDs, coupled with high-efficiency drivers, provide extended service life. The CLY6G delivers up to 65 lumens per watt. Driver disconnect is provided to comply with U.S. and Canadian codes. Thermally protected driver standard. Color selectable switch on driver allows for selection between 3K, 4K, and 5K color temperatures.

#### Dimming:

LED drivers delivers smooth continuous dimming.

#### Installation:

Remote driver allows for an easy installation to stud while the spring loaded clips in the fixture allow for quick installation while pulling the fixture flush to the mounting hole.

#### Listings:

ETL listed to US and Canadian safety standards. Wet location listed. IC Rated. For use in ambient operating temperatures ranging from -30°C to 40°C.

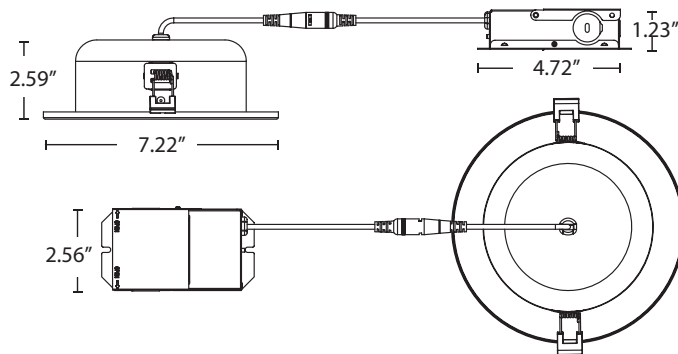
#### Warranty:

5-year limited warranty.

**NOTE:** Actual performance may differ as a result of end-user environment and application. All values are design or typical values, measured under laboratory conditions at 25 °C. Specifications subject to change without notice.

## LINE DRAWING

Ceiling Opening:  $\varnothing$  6 1/2" (165mm)





CONTRACTOR:	
PROJECT:	DATE:
PREPARED BY:	MODEL#:

## ORDERING INFORMATION

EXAMPLE: CLY6G-CCTA/WH

SERIES	SIZE	TRM	COLOR TEMP.	COLOR
CLY	[ 6 ] : 6"	[ G ]: Gimbal	[ -CCTA ] : 3000K/4000K/5000K	[ /WH ] : WHITE

## PERFORMANCE SPECIFICATIONS

SERIES	LUMENS	LPW	CRI	MAX WATTAGE	AMPS @ 120V
CLY6G-CCTA	884	65	80	13.5	0.121

## GENERAL DRIVER INFORMATION

ELECTRICAL SPECIFICATIONS	13.5
<b>Input</b>	
Input Voltage (VAC)	120V
Frequency Range (Hz)	60 Hz (+/- 10%)
	<b>120V</b>
Input Current Max (A) Per Driver	0.12
THD @ Full Load	< 20%
Efficiency @ Full Load	> 80%
Power Factor @ Full Load	> 0.9
<b>Output</b>	
Output Voltage (VDC)	35-42VDC
Output Current (mA) Per Driver	290mA

APPLICATION AND PERFORMANCE SPECIFICATION IS SUBJECT TO CHANGE WITHOUT NOTIFICATION

CONTRACTOR:	
PROJECT:	DATE:
PREPARED BY:	MODEL#:

## ACCESSORIES

\*Accessories sold separately

### ROUGH-HB 0588-0324

All in one rough plate. 3", 4", 6"



### EXTENSION CABLES 0542-2791

20FT extension cord for CLY CCTA



### CUSTOM GOOF RINGS

Custom goof rings for any application

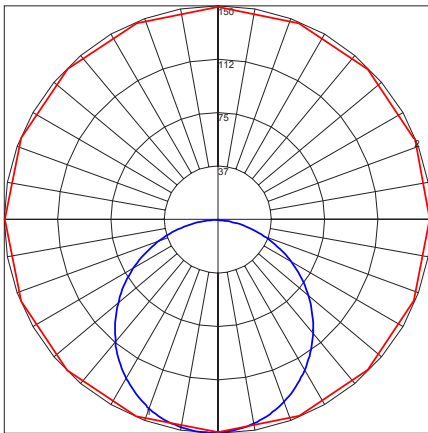


\*Contact the factory for more information.

## PHOTOMETRIC REPORTS

### POLAR GRAPH

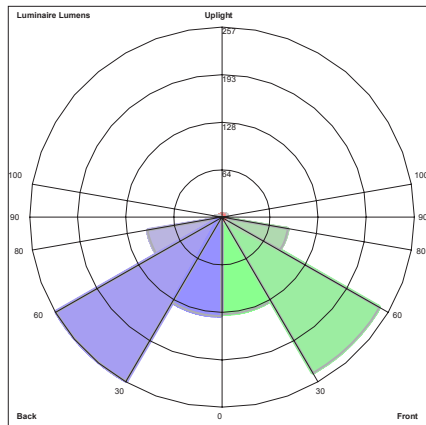
IES ROAD REPORT  
PHOTOMETRIC FILENAME : CLY6\_IESNA2002.IES  
POLAR GRAPH



Maximum Candela = 344.496 Located At Horizontal Angle = 202.5, Vertical Angle = 3  
# 1 - Vertical Plane Through Horizontal Angles (202.5 - 22.5) (Through Max. Cd.)  
# 2 - Horizontal Cone Through Vertical Angle (3) (Through Max. Cd.)

### LUMINAIRE CLASSIFICATION GRAPH

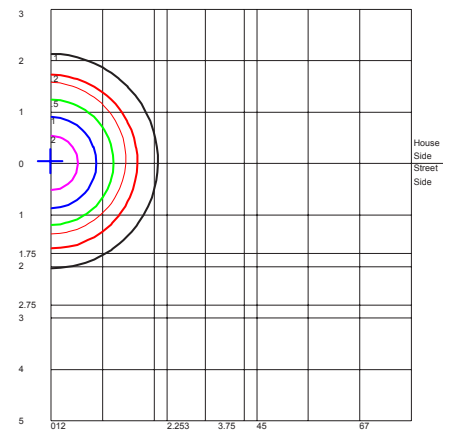
IES ROAD REPORT  
PHOTOMETRIC FILENAME : CLY6\_IESNA2002.IES  
LUMINAIRE CLASSIFICATION SYSTEM (LCS) GRAPH



Luminaire Lumens:  
Front: Low=131.8, Medium=244.0, High=95.5, Very High=8.5  
Back: Low=154.3, Medium=257.7, High=101.9, Very High=12.3  
Uplight: Low=0.1, High=0.8  
BUG Rating : B1-U1-G1

### ISOCANDELA PLOT

IES ROAD REPORT  
PHOTOMETRIC FILENAME : CLY6\_IESNA2002.IES  
ISOCANDELA LINES OF HORIZONTAL ILLUMINANCE



Distance In Units Of Mounting Height  
Values Based On 10 Foot Mounting Height  
1/2 Maximum Candela Trace Shown As Dashed Curve  
(\*) = Maximum Candela Point



CONTRACTOR:	
PROJECT:	DATE:
PREPARED BY:	MODEL#:

**COMPATIBLE DIMMER LIST**

NO	BRAND	DIMMER ITEM NO
1	LUTRON	MACL-153MR-WH
2		TGCL-153P
3		SCL-153PR-WH
4		AY-600P
5		SCL-153P-LA
6		DVCL-153P
7		MACL-153P
8		CTCL-153P
9		TG-600PH-WH
10		LGCL-153P
11		S-603PG-WH
12		CTELV-303P-WH
13		DV-600P
14	LEVITON	6633-I
15		IPI06-1LZ
16		6161-A
17		6633-POG
18		6631
19		6633-PLW
20		6633-P
21		6674
22		IPI10-1LZ
23		IPL06-1OZ
24		6151
25	6681	
26	GE	45602
27		55431

APPLICATION AND PERFORMANCE SPECIFICATION IS SUBJECT TO CHANGE WITHOUT NOTIFICATION