



CONTRACTOR:	
PROJECT:	DATE:
PREPARED BY:	MODEL#: W3LEDWSCS

**SERIES SPECIFICATIONS**



**W3LEDWSCS SERIES**

**Wattage/Color Selectable LED Wall Pack**

The W3LED wall pack, with its traditional body style, is an ideal replacement for HID wall packs. Advantages include long life, instant on/off and lower energy consumption.



**FEATURES AND SPECIFICATIONS**

**Intended Use**

The W3LEDWSCS wall pack's traditional body style helps maintain building aesthetics when replacing existing wall packs. The fixture is ideal for outdoor applications such as parking areas, driveways and loading areas.

**Construction**

Die cast aluminum housing with removable hinged door with gasket and captive corrosion resistant stainless steel screws. 1/2" coin plugs with O-rings for conduit entry on both sides and top. Finish: Durable powdercoat finish.

**Optics**

Molded wedge shaped prismatic surface borosilicate glass lens provides a beam angle of 120°

**Electrical**

Long-life LEDs, coupled with high-efficiency drivers, provide extended service life. The W3LEDWSCS delivers up to 124.16 lumens per watt. Thermally protected driver standard.

**Dimming**

0-10V

**Installation**

Fixture has cast-in template for mounting directly over a 4" recessed box or 1/2" coin plugs with O-rings for surface mount conduit connection.

**Listings**

UL listed to US and Canadian safety standards. Wet location listed. For use in ambient operating temperatures ranging from -40°C to 40°C. DesignLights Consortium® (DLC) qualified product. Not all versions of this product may be DLC qualified. Please check the DLC Qualified Products List at [www.designlights.org/QPL](http://www.designlights.org/QPL) to confirm which versions are qualified.

**Photocell**

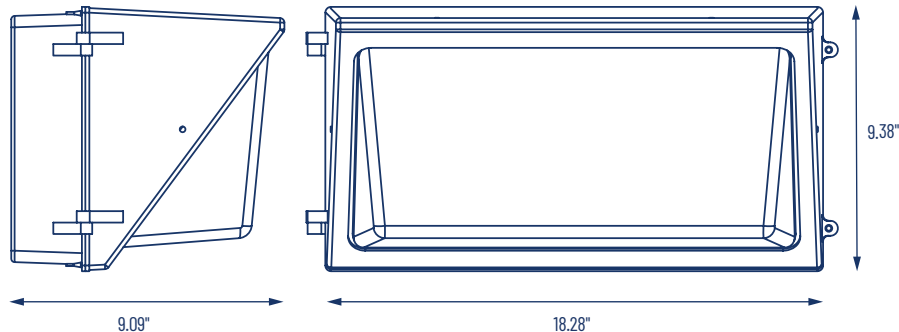
Integrated photocell with ON/OFF switch.

**Warranty**

5-year limited warranty.

**NOTE:** Actual performance may differ as a result of end-user environment and application. All values are design or typical values, measured under laboratory conditions at 25 °C. Specifications subject to change without notice. Fixture is dark sky compliant when full cutoff visor (not included) is installed.

**LINE DRAWING**



APPLICATION AND PERFORMANCE SPECIFICATION IS SUBJECT TO CHANGE WITHOUT NOTIFICATION



CONTRACTOR:	
PROJECT:	DATE:
PREPARED BY:	MODEL#: W3LEDWSCS

## ORDERING INFORMATION

EXAMPLE: W3LEDWSCS

SERIES	WATTAGE	COLOR TEMP
W3LED	[ WS ] : Selectable 80W/100W/120W	[ CS ] : Selectable 3000K/4000K/5000K

## PERFORMANCE SPECIFICATIONS

### GENERAL DRIVER INFORMATION

ELECTRICAL SPECIFICATIONS	80W	
<b>Input</b>		
Input Voltage (VAC)	120V-277V (+/- 10%)	
Frequency Range (Hz)	50-60 Hz (+/- 10%)	
	<b>120V</b>	<b>277V</b>
Input Current Max (A) Per Driver	1	0.36
THD @ Full Load	<15%	<20%
Efficiency @ Full Load	92%	>89%
Power Factor @ Full Load	>0.9	
<b>Output</b>		
Dimming	0-10V	

Wattage	3000K	4000K	5000K
80W	11468.9 lm	11692.6 lm	12112.6 lm
100W	13816 lm	14057.5 lm	14559.7 lm
120W	16417.4 lm	16370 lm	17065 lm

### ENVIRONMENTAL SPECS

Operating Temperatures	-40°C to 40°C
------------------------	---------------

## ACCESSORIES

### VISOR

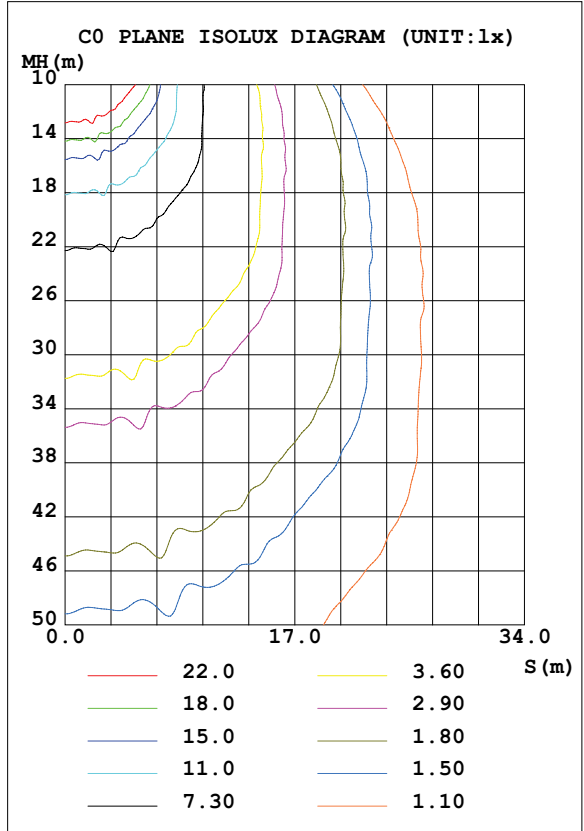
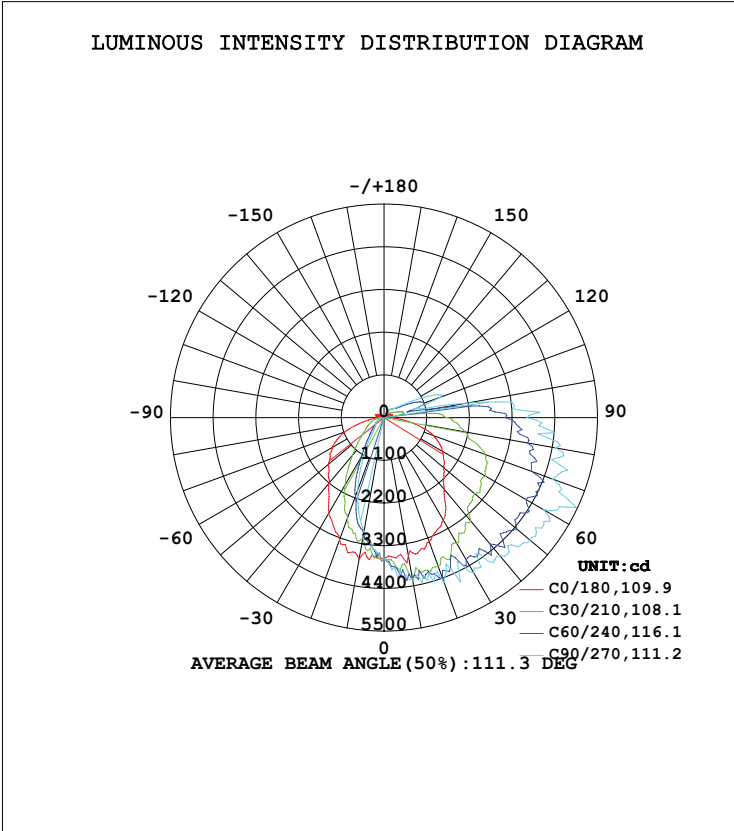
W3-VISOR (Bronze)  
0576-3177





CONTRACTOR:	
PROJECT:	DATE:
PREPARED BY:	MODEL#: W3LEDWSCS

**PERFORMANCE SPECIFICATIONS**

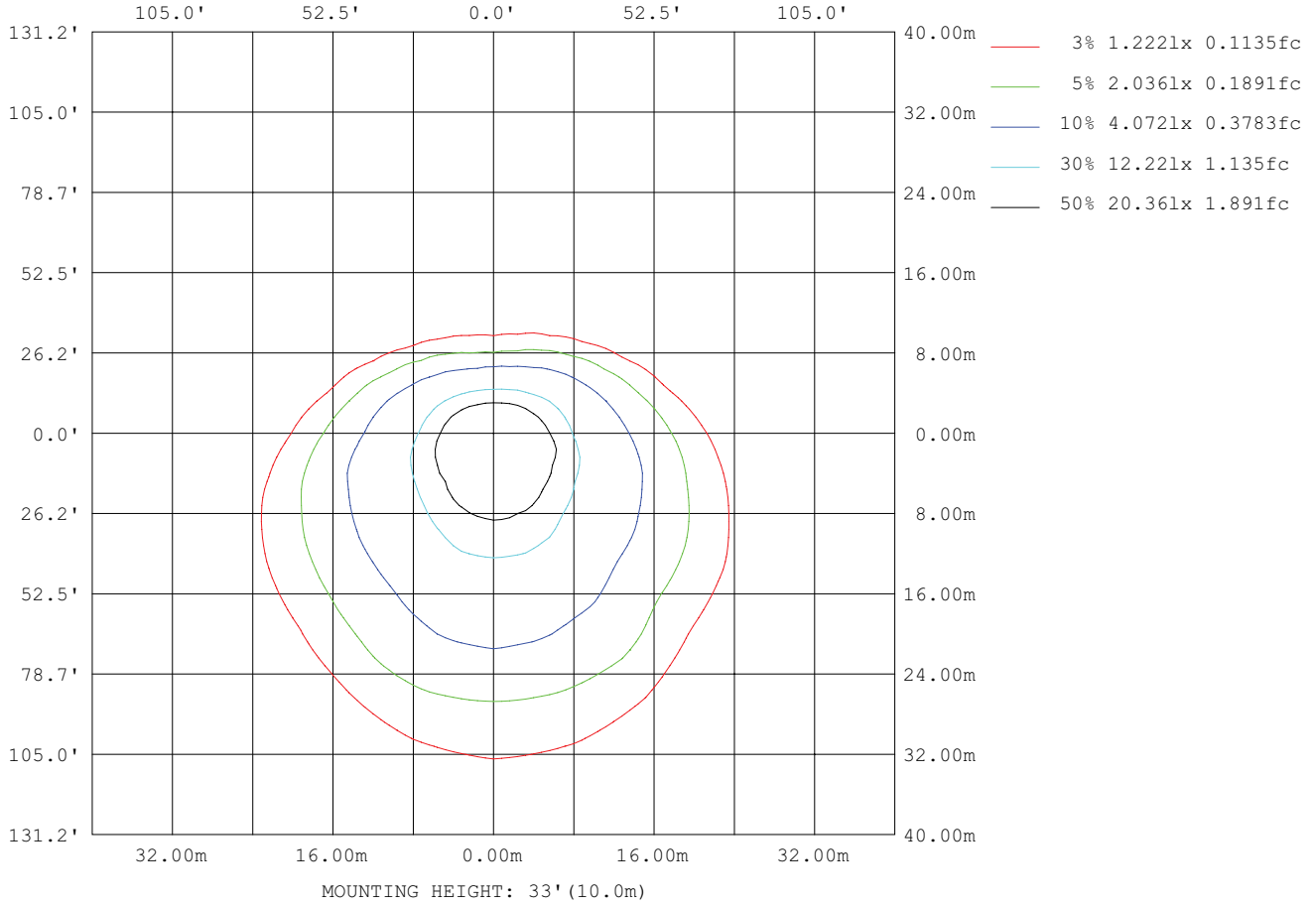


APPLICATION AND PERFORMANCE SPECIFICATION IS SUBJECT TO CHANGE WITHOUT NOTIFICATION



CONTRACTOR:	
PROJECT:	DATE:
PREPARED BY:	MODEL#: W3LEDWSCS

PERFORMANCE SPECIFICATIONS



APPLICATION AND PERFORMANCE SPECIFICATION IS SUBJECT TO CHANGE WITHOUT NOTIFICATION