



CONTRACTOR:	
PROJECT:	DATE:
PREPARED BY:	MODEL#:

SERIES SPECIFICATIONS



CYCLED SERIES

The 20w CYCLED wall pack is an economical choice for both residential and commercial applications where a compact, vandal resistant fixture is required. This unit is ideal for entry ways, walkways, corridors, stairwells and comes with a photocell installed.



FEATURES & SPECIFICATIONS

Intended Use

The CYCLED series is ideal for entry ways, walkways, corridors, stairwells and comes with a photocell installed.

Construction

Die cast aluminum back housing.

Optics

High light transmittance polycarbonate lens

Dimming

0-10v

Wattage

20w

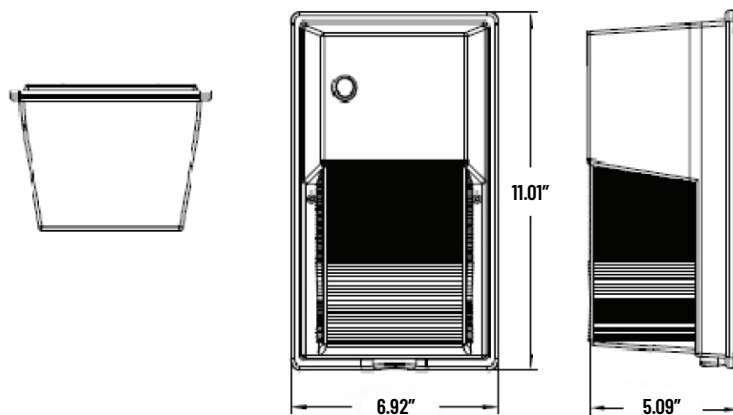
Listings

UL listed to US and Canadian safety standards. Wet location listed. For use in ambient operating temperatures ranging from -40°C~+40°C. DesignLights Consortium® (DLC) qualified product. Not all versions of this product may be DLC qualified. Please check the DLC Qualified Products List at www.designlights.org/QPL to confirm which versions are qualified.

Warranty

5-year limited warranty.

LINE DRAWINGS



APPLICATION AND PERFORMANCE SPECIFICATION IS SUBJECT TO CHANGE WITHOUT NOTIFICATION



CONTRACTOR:	
PROJECT:	DATE:
PREPARED BY:	MODEL#:

ORDERING INFORMATION

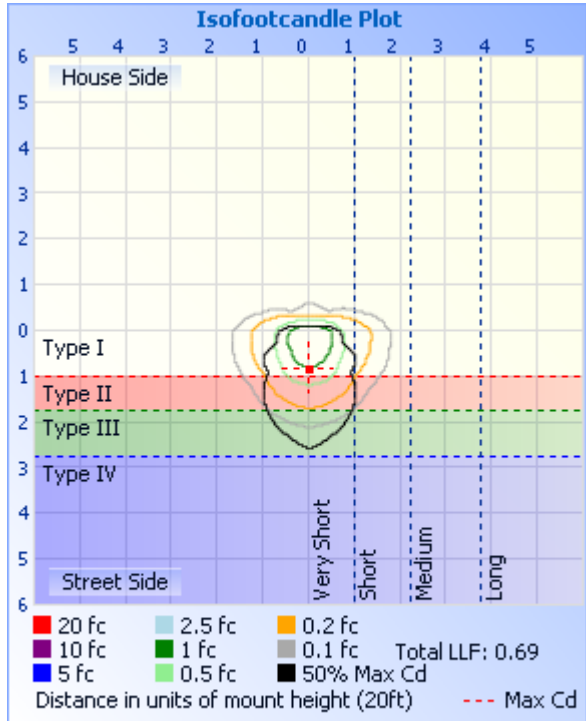
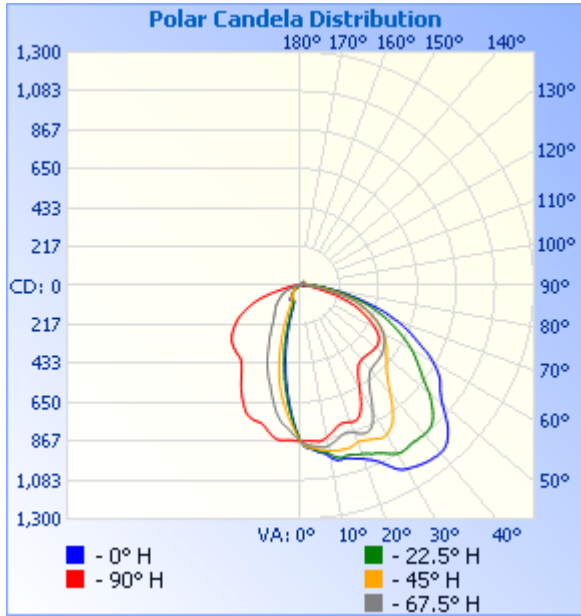
Example: CYCLEDCSBZ

SERIES	COLOR TEMP	FINISH
CYCLED	[CS]: Selectable 3000K/4000K/5000K	[BZ]: BRONZE

LIGHTING SPECIFICATIONS

PART NUMBER	LUMENS	LPW	MAX. WATTAGE	VOLTAGE	CRI
CYCLED	2195	109	20	120-277v	70

PHOTOMETRIC REPORTS



APPLICATION AND PERFORMANCE SPECIFICATION IS SUBJECT TO CHANGE WITHOUT NOTIFICATION



CONTRACTOR:	
PROJECT:	DATE:
PREPARED BY:	MODEL#:

PHOTOMETRIC REPORTS

Illuminance at a Distance			
	Center Beam fc	Beam Width	
17.0ft	2.99 fc	26.3 ft	23.9 ft
34.0ft	0.75 fc	52.7 ft	47.8 ft
51.0ft	0.33 fc	79.0 ft	71.8 ft
68.0ft	0.19 fc	105.4 ft	95.7 ft
85.0ft	0.12 fc	131.7 ft	119.6 ft
102.0ft	0.08 fc	158.0 ft	143.5 ft

■ Vert. Spread: 75.5°
■ Horiz. Spread: 70.3°

