



| | |
|--------------|---------------|
| CONTRACTOR: | |
| PROJECT: | DATE: |
| PREPARED BY: | MODEL#: TASFS |

DESCRIPTION



TASF Series

The TASF series surface mount fixtures sleek design uses LED as a light source. The TASFS fixtures are long lasting and energy efficient. Fixtures can be surface mounted directly to a junction box using the mounting bracket or can be mounted to either a 4" or 6" recessed can using repositionable fixture clips. The TASF comes with a safety support for ease of installation.



FEATURES & SPECIFICATIONS

Housing Material

Water resistant plastic with aluminum heat sink

Lens Material

Acrylic

Color

White

Diffuser Finish

Frosted

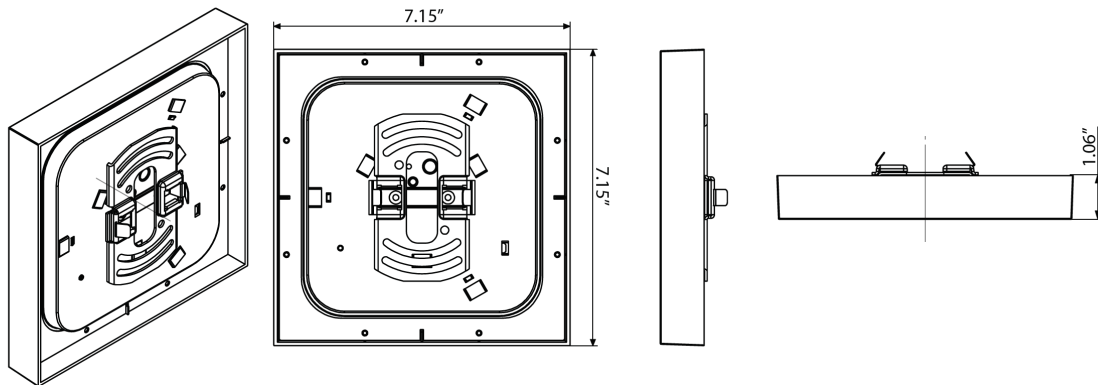
Location Rating

Suitable for Wet locations

Warranty

Guaranteed for five years from the purchase date of the product, against mechanical defects in manufacturing.

LINE DRAWING





| | |
|---------------------|----------------------|
| CONTRACTOR: | |
| PROJECT: | DATE: |
| PREPARED BY: | MODEL#: TASFS |

ORDERING INFORMATION

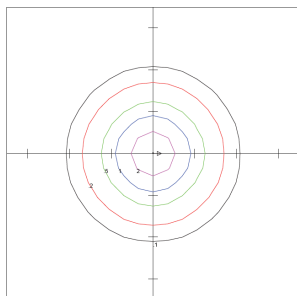
Example: TASFS7-4W

| SERIES | SHAPE | SIZE | COLOR TEMP | COLOR |
|--------|--------------|----------|------------------------------|-------------|
| TASF | [S] : Square | [7] : 7" | [-3] : 3000K [-4] : 4000K | [W] : White |

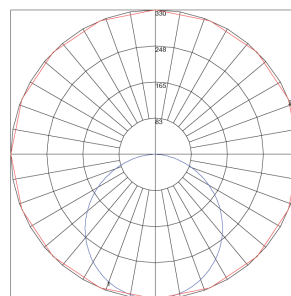
ELECTRICAL SPECIFICATIONS

| | |
|-----------------------|------------------|
| Storage Temp. | -35°C ~ +85°C |
| Operating Temp. | -35°C ~ +85°C |
| Input Voltage (V AC) | 120VAC (+/- 10%) |
| Input Wattage | 14.73W |
| Efficacy | 64+ lm/W |
| CRI | Ra 93.4 |
| Color Temp | 3000K/4000K |
| Power Factor | >0.9 |
| THD | < 10% |
| Viewing Angle (50%) | 120° |
| Starting Time | 129 ms |
| LED Forwarder Current | 240 mA |
| Duv | 0.0001 |
| Lumens | 940+ lm |

PERFORMANCE SPECIFICATIONS



TAMLITE LIGHTING AMENITY
 TASFS7-4W
 Horizontal Footcandles
 Light Loss Factor = 1.00
 Lumens Per Lamp = 947.61
 Lumens = 947.61
 Mounting Height = 10.00 Ft.
 Maximum Calculated Value = 3.30 Fc
 Arrangement: Single



Polar Graph
 Maximum Candela = 330.09
 Located at Horizontal Angle = 247.5
 Vertical Angle = 1
 Vertical Plane Through Horizontal Angles
 (247.5 - 67.5)
 Horizontal Cone Through Vertical Angle
 (1)