



CONTRACTOR:	
PROJECT:	DATE:
PREPARED BY:	MODEL#: TASFS

DESCRIPTION



TASF Series

The TASF series surface mount fixtures sleek design uses LED as a light source. The TASFS fixtures are long lasting and energy efficient. Fixtures can be surface mounted directly to a junction box using the mounting bracket. The TASF comes with a safety support for ease of installation.



FEATURES & SPECIFICATIONS

Housing Material

Water resistant plastic with aluminum heat sink

Lens Material

Acrylic

Color

White

Diffuser Finish

Frosted

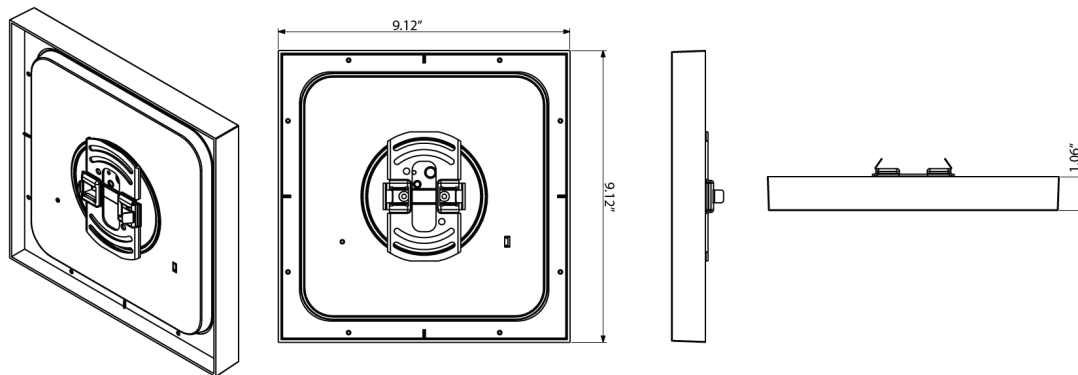
Location Rating

Suitable for Wet locations

Warranty

Guaranteed for five years from the purchase date of the product, against mechanical defects in manufacturing.

LINE DRAWING





CONTRACTOR:	
PROJECT:	DATE:
PREPARED BY:	MODEL#: TASFS

ORDERING INFORMATION

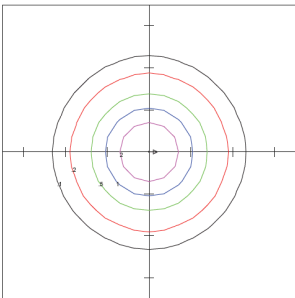
Example: TASFS9-4W

SERIES	SHAPE	SIZE	COLOR TEMP	COLOR
TASF	[S] : Square	[9] : 9"	[-3] : 3000K	[W] : White

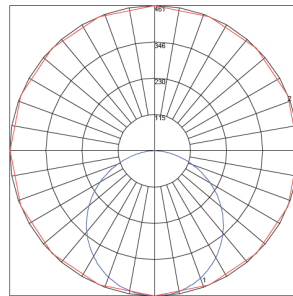
ELECTRICAL SPECIFICATIONS

Storage Temp.	-35°C ~ +85°C
Operating Temp.	-35°C ~ +85°C
Input Voltage (V AC)	120VAC (+/- 10%)
Input Wattage	19.57W
Efficacy	67+ lm/W
CRI	Ra 93.5
Color Temp	3000K
Power Factor	>0.9
THD	< 10%
Viewing Angle (50%)	120°
Starting Time	137 ms
LED Forwarder Current	240 mA
Duv	0.0002
Lumens	1300+ lm

PERFORMANCE SPECIFICATIONS



TAMLITE LIGHTING AMENITY
 TASFS9-4W
 Horizontal Footcandles
 Light Loss Factor = 1.00
 Lumens Per Lamp = 1321.4
 Lumens = 1321.4
 Mounting Height = 10.00 Ft.
 Maximum Calculated Value = 4.60 Fc
 Arrangement: Single



Polar Graph
 Maximum Candela = 460.97
 Located at Horizontal Angle = 337.5
 Vertical Angle = 1
 Vertical Plane Through Horizontal Angles
 (337.5 - 157.5)
 Horizontal Cone Through Vertical Angle
 (1)