



CONTRACTOR:	
PROJECT:	DATE:
PREPARED BY:	MODEL#: TCOLSP3004BZ-12

## SERIES SPECIFICATIONS



## TCOLSP SERIES

### 4W Path Light

The TCOLSP path light offers a clean look to your path-ways without uplight.



## FEATURES

### Intended Use

This fixture is ideal for use in landscape and pathway applications

### Construction

Durable aluminum housing with bronze powdercoat finish

### Optics

Precision molded polycarbonate optical lens is engineered for superior light area distribution. The TCOLSP series has a beam angle of 60°-110°

### Electrical

Long-life LEDs PCB mounted, coupled with high-efficiency drivers, provide extended service life. The TCOLSP delivers up to 43 lumens per watt. Thermally protected driver standard.

### Installation

Fixture is mounted using a 7" ground stake.

### Listings

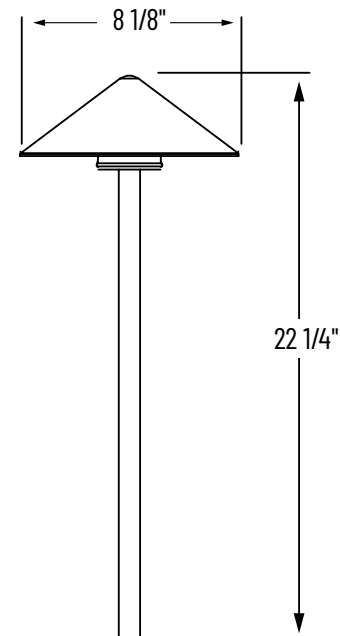
UL listed to US safety standards. Wet location listed. Fixtures are IP54 rated. For use in ambient operating temperatures ranging from -25°C~+40°C.

### Warranty

5-year limited warranty.

NOTE: Actual performance may differ as a result of end-user environment and application. All values are design or typical values, measured under laboratory conditions at 25 °C. Specifications subject to change without notice.

## LINE DRAWING





CONTRACTOR:	
PROJECT:	DATE:
PREPARED BY:	MODEL#: TCOLSP3004BZ-12

**PERFORMANCE SPECIFICATIONS**

SERIES	LUMENS	LPW	MAX WATTAGE
TCOLSP3004BZ-12	170	43	4W

**ORDERING INFO**

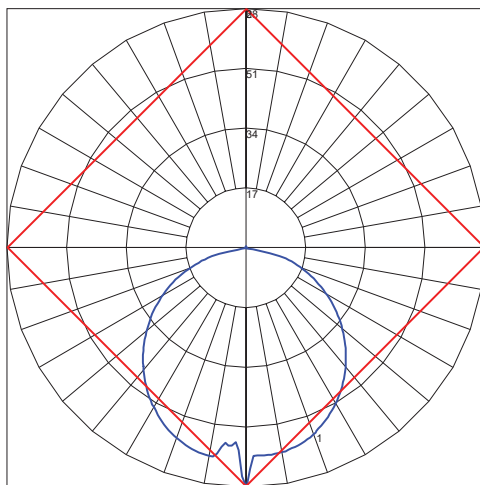
EXAMPLE: TCOLSP3004BZ-12

SERIES	COLOR TEMP	WATTAGE	COLOR	VOLTAGE
TCOLSP	[ 30 ] : 3000K	[ 04 ] : 4 Watts	[ BZ ] : Bronze	[ -12 ] : 12 Volts

**PHOTOMETRIC REPORTS**

**POLAR GRAPH**

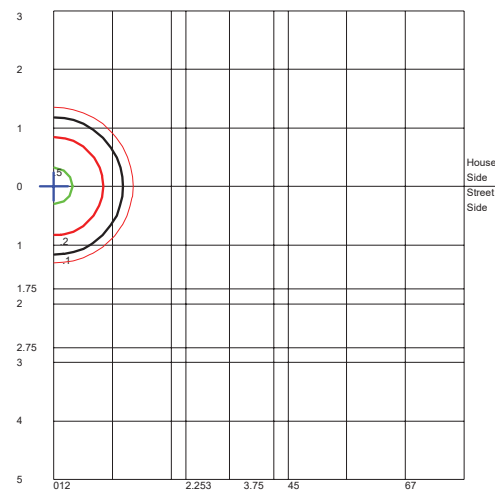
IES ROAD REPORT  
 PHOTOMETRIC FILENAME : TCOLSP3004BZ-12 IES.IES  
 POLAR GRAPH



Maximum Candela = 68.474 Located At Horizontal Angle = 360, Vertical Angle = 0  
 # 1 - Vertical Plane Through Horizontal Angles (360 - 180) (Through Max. Cd.)  
 # 2 - Horizontal Cone Through Vertical Angle (0) (Through Max. Cd.)

**ISOCANDELA PLOT**

IES ROAD REPORT  
 PHOTOMETRIC FILENAME : TCOLSP3004BZ-12 IES.IES  
 ISOFOOTCANDLE LINES OF HORIZONTAL ILLUMINANCE



Distance In Units Of Mounting Height  
 Values Based On 10 Foot Mounting Height  
 1/2 Maximum Candela Trace Shown As Dashed Curve  
 (+) = Maximum Candela Point

APPLICATION AND PERFORMANCE SPECIFICATION IS SUBJECT TO CHANGE WITHOUT NOTIFICATION