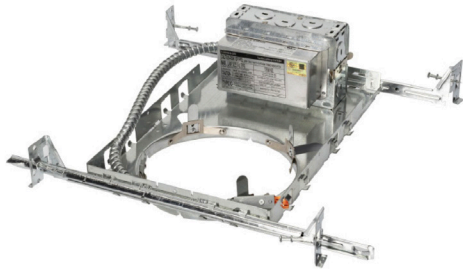


CONTRACTOR:	
PROJECT:	DATE:
PREPARED BY:	MODEL#: TLD6NW48-UNV

SERIES SPECIFICATIONS



15W 28W 48W

TLD6NW SERIES

6" Commercial New Work Frame

The TLD6 series are high grade LED high lumen down lights with a deep cone reflector that is designed for commercial lighting. These 6-inch, LED down lights are loaded with innovative features and options.



CONSTRUCTION

Material

Steel

Input Current

0.26A

Operating Temp.

-30°C ~ 40°C

Junction Box

Mounted on housing frame

Dimming Type

0-10V

Listing

UL Listed

Input Wattage

48W

Frequency

50/60Hz

Warranty

Guaranteed for five years from the purchase date of the product, against mechanical defects in manufacturing

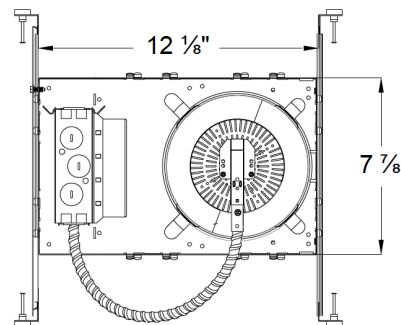
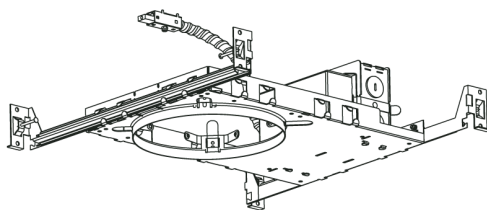
Input Voltage

120/277VAC

Power Factor

> 0.9

LINE DRAWING





CONTRACTOR:	
PROJECT:	DATE:
PREPARED BY:	MODEL#: TLD6NW48-UNV

ORDERING INFO

EXAMPLE: TLD6NW48-UNV

SERIES	WATTAGE*	VOLTAGE
TLD6NW	[48] : 48 Watts	[-UNV] : 120/277V

*Housing and Trim wattages must match. Not for installation in coastal environments.