



MODEL:		TYPE
PROJECT:		
PREPARED BY:	DATE:	



UPDLED SERIES

The UPDLED series 1' x 4' suspended luminaire is a commercial pendant lighting fixture utilizing an advanced LED optical system to achieve superior performance.



FEATURES AND SPECIFICATIONS

INTENDED USE:

The UPDLED series is suitable for indoor general lighting.

CONSTRUCTION:

White painted parts are treated with a five-stage phosphate bonding process and finished with high reflectance baked enamel.

OPTICS:

Performance engineered optical lens assembly delivers unique beam angles and reduces glare.

ELECTRICAL:

Long-life LEDs PCB mounted, coupled with high-efficiency drivers, provide extended service life. The UPDLED delivers up to 105 lumens per watt. Driver disconnect is provided where required to comply with U.S. and Canadian codes. Thermally protected driver standard.

DIMMING:

LED drivers deliver dimming from a 0-10V control signal. Dims to 10% standard.

INSTALLATION:

This fixture is pendant mounted. Fixture is supplied with 3' power cord, cable suspension kit, and canopy kit.

LISTINGS:

UL listed to US and Canadian safety standards. Damp location listed.

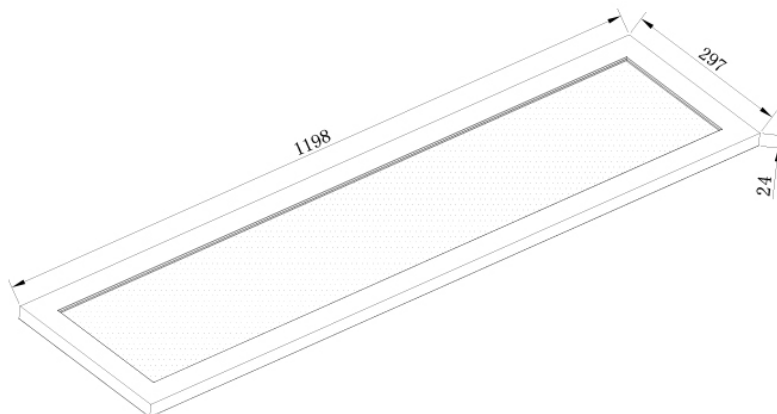
WARRANTY:

5-year limited warranty. Complete warranty terms located at:

www.tamliteusa.com/CustomerResources/Terms_and_conditions.asp

NOTE: Actual performance may differ as a result of end-user environment and application. All values are design or typical values, measured under laboratory conditions at 25 °C. Specifications subject to change without notice.

LINE DRAWING



ORDERING INFORMATION

UPDLED	4	-42D1	L8	40
SERIES	SIZE	LUMENS & NO. OF DRIVERS	CRI	COLOR TEMP
UPDLED	[4] : 4'	[-42D1] : 4200 Lumens	[L8] : CRI±80	[40] : 4000K [50] : 5000K

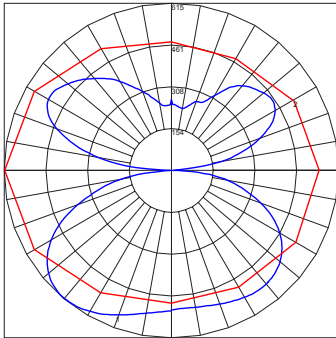
PERFORMANCE SPECIFICATIONS

SERIES	WATTAGE	EFFICACY	LUMENS	CRI	POWER FACTOR	VOLTAGE
UPDLED4-42	40	105	4200	>80	>0.95	120-277VAC

PHOTOMETRIC REPORTS

POLAR GRAPH

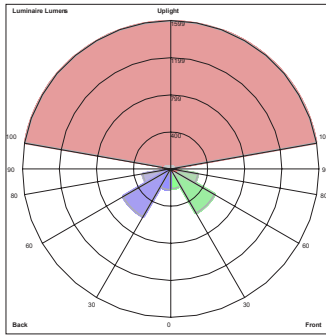
IES ROAD REPORT
PHOTOMETRIC FILENAME : UPDLED4-42D1L850.IES
POLAR GRAPH



Maximum Candela = 615.10 Located At Horizontal Angle = 180, Vertical Angle = 41
1 - Vertical Plane Through Horizontal Angles (180 - 0) (Through Max. Cd.)
2 - Horizontal Cone Through Vertical Angle (41) (Through Max. Cd.)

LUMINAIRE CLASSIFICATION GRAPH

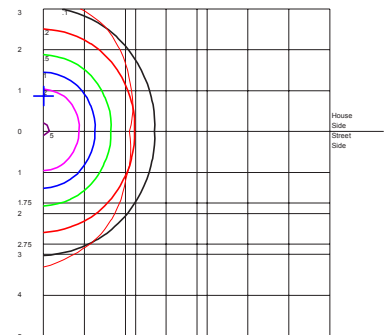
IES ROAD REPORT
PHOTOMETRIC FILENAME : UPDLED4-42D1L850.IES
LUMINAIRE CLASSIFICATION SYSTEM (LCS) GRAPH



Luminaire Lumens:
Front: Low=217.3, Medium=555.1, High=935.4, Very High=51.9
Back: Low=525.3, Medium=557.7, High=512.3, Very High=0.0
Uplight: Low=83.1, High=1598.8
BUG Rating : B1-US-G1

ISOCANDELA PLOT

IES ROAD REPORT
PHOTOMETRIC FILENAME : UPDLED4-42D1L850.IES
ISOCANDELA PLOT



Distance In Units Of Mounting Height
Values Based On 10 Foot Mounting Height
1/2 Maximum Candela Trace Shown As Dashed Curve
(+) = Maximum Candela Point