



CONTRACTOR:	
PROJECT:	DATE:
PREPARED BY:	MODEL#:

DESCRIPTION



W2LED SERIES

Wattage/Color Selectable LED Wall Pack

The W2LED wall pack with its traditional body style is an ideal replacement for HID wall packs. Advantages include long life, instant on/off and lower energy consumption.



FEATURES AND SPECIFICATIONS

Intended Use

The W2LED wall pack's traditional body style helps maintain building aesthetics when replacing existing wall packs. The fixture is ideal for outdoor applications such as parking areas, driveways and loading areas.

Construction

Die cast aluminum housing with removable hinged door with gasket and captive corrosion resistant stainless steel screws. 1/2" coin plugs with O-rings for conduit entry or photocell installation on both sides and top.

Finish

Powder coat

Optics

Molded wedge shaped prismatic surface borosilicate glass lens provides a beam angle of 120°

Electrical

Long-life LEDs, coupled with high-efficiency drivers, provide extended service life. The W2LED delivers up to 138 lumens per watt. Thermally protected driver standard.

Dimming

Step dimming via wattage selection switch

Installation

Fixture has cast-in template for mounting directly over a 4" recessed box or 1/2" coin plugs with O-rings for surface mount conduit connection.

Listings

UL listed to US and Canadian safety standards. Wet location listed. For use in ambient operating temperatures ranging from -40°C to 40°C. DesignLights Consortium® (DLC) qualified product. Not all versions of this product may be DLC qualified. Please check the DLC Qualified Products List at www.designlights.org/QPL to confirm which versions are qualified.

Photocell

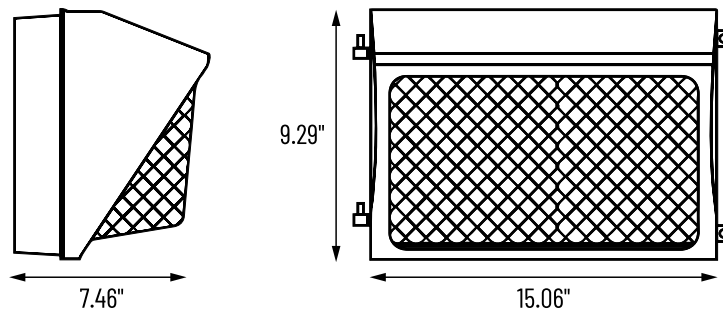
Integrated photocell with ON/OFF switch

Warranty

5-year limited warranty.

NOTE: Actual performance may differ as a result of end-user environment and application. All values are design or typical values, measured under laboratory conditions at 25 °C. Specifications subject to change without notice. Fixture is dark sky compliant when full cutoff visor (not included) is installed.

LINE DRAWING



APPLICATION AND PERFORMANCE SPECIFICATION IS SUBJECT TO CHANGE WITHOUT NOTIFICATION



CONTRACTOR:	
PROJECT:	DATE:
PREPARED BY:	MODEL#:

ORDERING INFORMATION

EXAMPLE: W2LED-WS-3CS

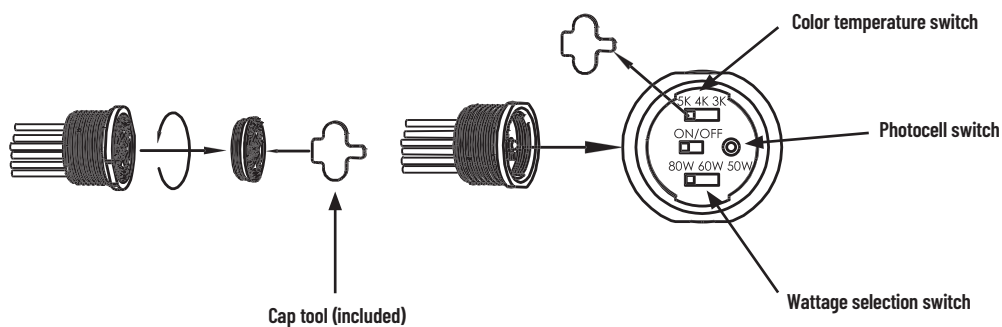
SERIES	WATTAGE	COLOR TEMP	HOUSING COLOR	EMERGENCY
W2LED	[-WS] : Selectable 50W/60W/80W	[-3CS] : Selectable 3000K/4000K/5000K	[BLANK] : Bronze [WH] : White	[BLANK] : No Option [-EM] : 10% Emergency back-up

PERFORMANCE SPECIFICATIONS

GENERAL DRIVER INFORMATION

ELECTRICAL SPECIFICATIONS	80W		Wattage	Lumens	Efficacy
Input					
Input Voltage (VAC)	120V-277V (+/- 10%)		50W	6900Lm	138LPW
Frequency Range (Hz)	50-60 Hz (+/- 10%)		60W	8300Lm	
	120V	277V	80W	11,050Lm	
Input Current Max (A) Per Driver	1	0.36			
THD @ Full Load	<15%	<20%			
Efficiency @ Full Load	92%	>89%			
Power Factor @ Full Load	>0.9				
Output					
Dimming	0-10V				
			ENVIRONMENTAL SPECS		
			80W		
			Ambient Range	-40°C to 58°C	
			Max. Storage Temp.	85°C	
			EMI Compliance	FCC Part 15 ANSI C63.4:2009 Class B	

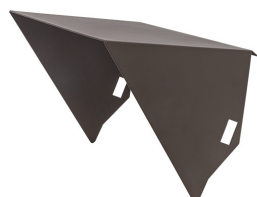
PHOTOCELL SWITCH



ACCESSORIES

VISOR

- W2-VISOR (Bronze)
- W2-VISOR WH (White)



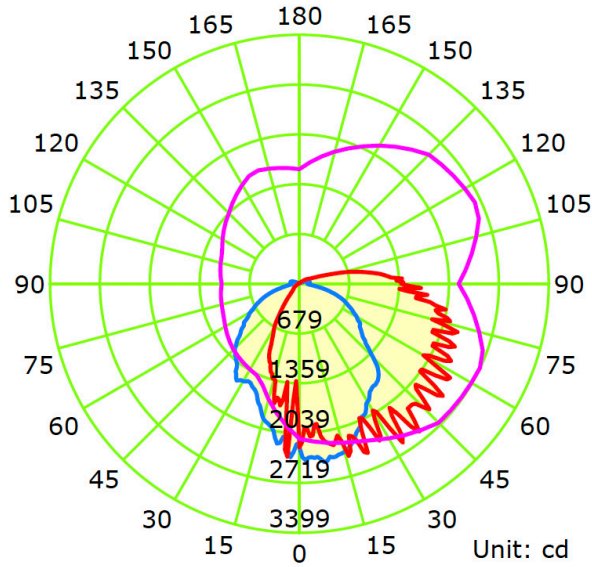


CONTRACTOR:	
PROJECT:	DATE:
PREPARED BY:	MODEL#:

PHOTOMETRICS

W2LED-WS-5K @50W

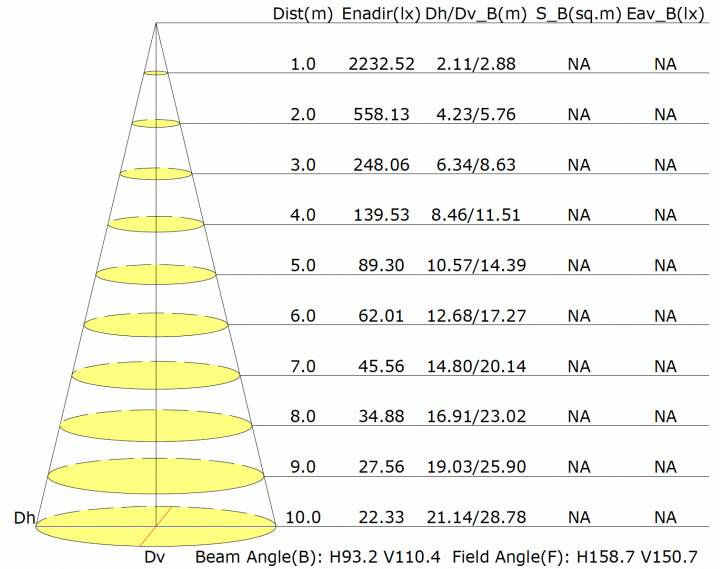
Luminous Intensity Distribution Curve



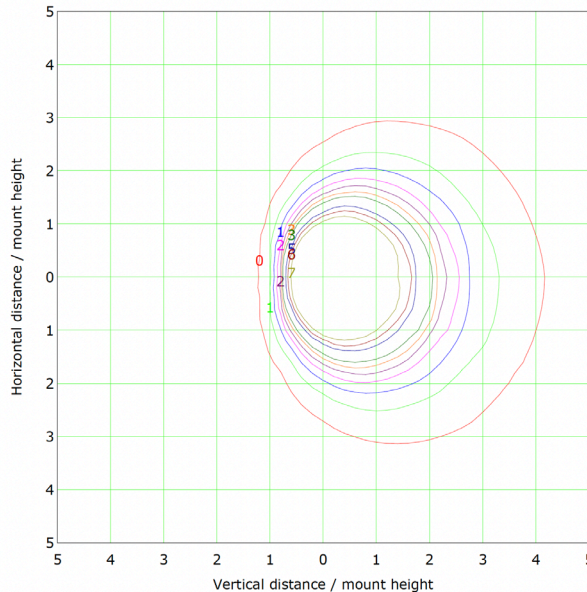
Average Diffuse Angle(50%): 101.8°

— C0-C180 — C90-C270 — G23

Illuminance at a Distance



IsoLux Plot



Mounting Height: 7.6m Max Lux(100%): 45.9 lx

(1%): 0.5 lx	(2%): 0.9 lx
(3%): 1.4 lx	(4%): 1.8 lx
(5%): 2.3 lx	(6%): 2.8 lx
(7%): 3.2 lx	(10%): 4.6 lx
(12%): 5.5 lx	(15%): 6.9 lx

APPLICATION AND PERFORMANCE SPECIFICATION IS SUBJECT TO CHANGE WITHOUT NOTIFICATION

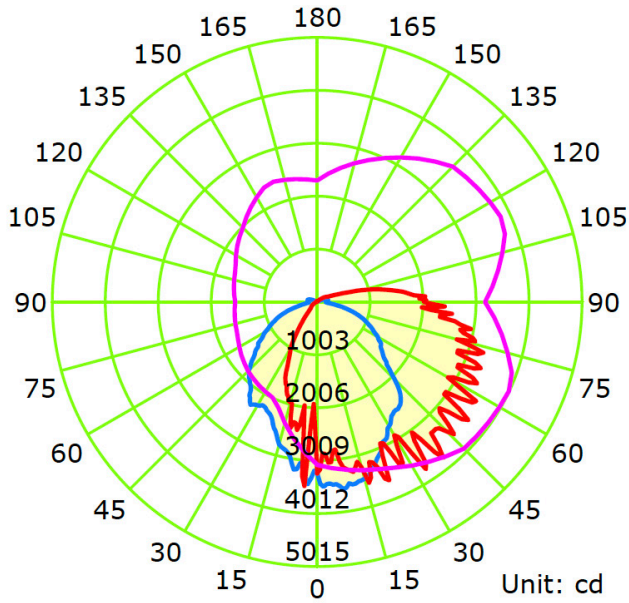


CONTRACTOR:		DATE:
PROJECT:	MODEL#:	
PREPARED BY:		

PHOTOMETRICS

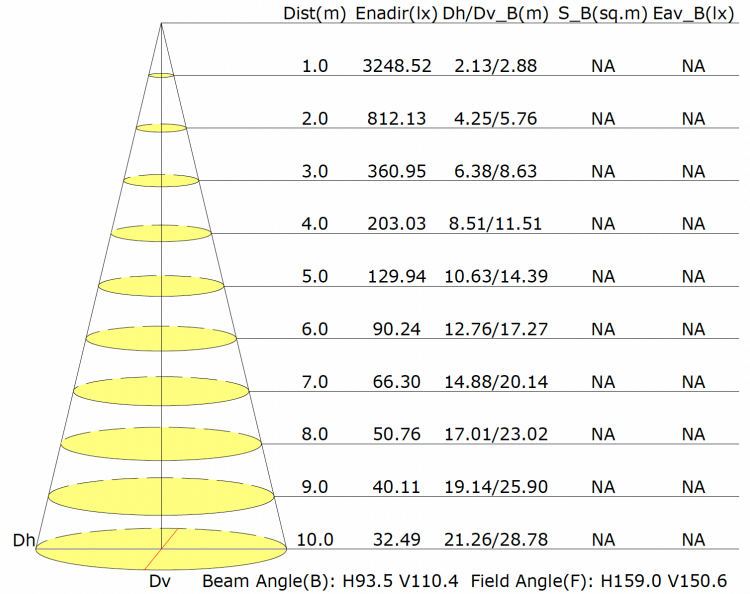
W2LED-WS-5K @80W

Luminous Intensity Distribution Curve

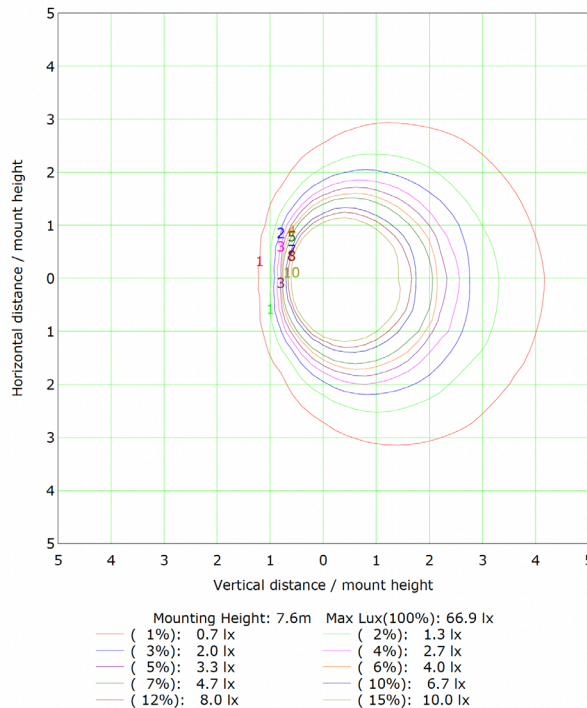


Average Diffuse Angle(50%): 102.0°

Illuminance at a Distance



IsoLux Plot



APPLICATION AND PERFORMANCE SPECIFICATION IS SUBJECT TO CHANGE WITHOUT NOTIFICATION