



CONTRACTOR:	
PROJECT:	DATE:
PREPARED BY:	MODEL#:

**DESCRIPTION**



**STRK Series**

The STRK series is a versatile LED area/flood light series that is customizable in many ways. This series has many mounting, optic distribution and sensor options. Because of all the options it offers the STRK series offers a stark solution to any large flood or area light job.



**FEATURES/WARRANTY**

**Construction**

Die-cast aluminum housing has integral heat sink to optimize thermal management through conductive cooling. Housing sealed against moisture and environmental contaminants. Low profile design for optimized pole wind loading.

**Finish**

Bronze powder coat

**Optics**

High transmission polycarbonate

**Electrical**

70% lumen maintenance at >155,000 hours. Long-life LEDs PCB mounted, coupled with high-efficiency drivers, provide extended service life. Delivers up to 158 lumens per watt and LED Lumen maintenance of L80/100,000 hours. Thermally protected driver standard.

**Dimming**

0-10v

**Installation**

The STRK has optional mounting options of a square pole arm, round pole arms for 3", 4", 5" diameter poles, slipfitter mounting, trunnion mounting, and adjustable wall mount.

**Surge Suppressor**

Internal 10KV

**3 Pin Twist Lock receptacle**

Shorting cap included

**Listings**

UL listed to US and Canadian safety standards. Wet location listed. DesignLights Consortium® (DLC) qualified product. Not all versions of this product may be DLC qualified. Please check the DLC Qualified Products List at [www.designlights.org/QPL](http://www.designlights.org/QPL) to confirm which versions are qualified.

**Warranty**

5-year limited warranty.

**Input Voltage**

120-277VAC & 277-480VAC

**Color Temperature**

3K, 4K, & 5K

**CRI**

70+

**Operating Temperatures**

-40°C ~+40°C

NOTE: Actual performance may differ as a result of end-user environment and application. All values are design or typical values, measured under laboratory conditions at 25 °C.

Specifications subject to change without notice.



CONTRACTOR:	
PROJECT:	DATE:
PREPARED BY:	MODEL#:

**ORDERING INFORMATION**

Example: STRK3005K T5 U SF BZ HSS

SERIES	WATTAGE	COLOR TEMP	DISTRIBUTION	VOLTAGE	MOUNTING	FINISH	OPTIONS
STRK	[80] : 80W* [150] : 150W [230] : 230W [300] : 300W [400] : 400W	[3K] : 3000K [4K] : 4000K [5K] : 5000K	[T2] : Type 2 [T3] : Type 3 [T4] : Type 4 [T5] : Type 5	[U] : 120-277VAC [E] : 277-480VAC	[BLANK] : No Mounting [TR] : Trunnion [SP] : Square Pole Arm [RP] : Round Pole Arm [SF] : Slipfitter	[BZ] : Bronze	[BLANK] : 3 Pin socket w/shorting cap** [HSS] : House Side Shield*** [MS] : Microwave motion sensor**** [USA] : Assembled in USA

Microwave sensor only for 120-277VAC configurations.\*\*\*\*      80W configuration only available in 120-277VAC.\*  
Includes 3 pin twist lock socket with shorting cap. Photocell sold separately.\*\*      Does not meet DLC when installed. \*\*\*

**PERFORMANCE SPECIFICATIONS**

WATTAGE	LED COUNT	DISTRIBUTION	3K		4K		5K	
			Lumens	LPW	Lumens	LPW	Lumens	LPW
80	240	T2	11935	149	12117	151	12300	154
	240	T3	12132	152	12305	154	12477	156
	240	T4	11862	148	12087	151	12313	154
	240	T5	12193	152	12418	155	12643	158
150	240	T2	20878	139	21186	141	21495	143
	240	T3	21209	141	21527	144	21844	146
	240	T4	20752	138	21149	141	21546	144
	240	T5	21350	142	21662	144	21974	146
230	360	T2	32171	140	32815	143	33458	145
	360	T3	32883	143	33417	145	33951	148
	360	T4	31724	138	32501	141	33279	145
	360	T5	32472	141	33151	144	33830	147
300	360	T2	39404	131	40102	134	40800	136
	360	T3	39282	131	40076	134	40871	136
	360	T4	39174	131	40294	134	41413	138
	360	T5	39600	132	40484	135	41367	138
400	480	T2	55657	139	56475	141	57293	143
	480	T3	56638	142	57396	143	58154	145
	480	T4	55939	140	57044	143	58149	145
	480	T5	57152	143	58159	145	59166	148

**ACCESSORIES (SOLD SEPARATELY)**

**Mounts**



**Pole Mount**  
STRK PASF BZ  
0582-9201

**Adjustable Wall Mount**  
STRK WM BZ  
0582-9198

**External Shields**



**House Side Shield**  
STRK HSS SM (80-150W)  
0582-9219

STRK HSS LG (230-300W)  
0582-9243

**External Glare Shield**  
STRK GLARE SM BZ (80-150W)  
0582-9249

STRK GLARE LG BZ (230-300W)  
0582-9255

**Controls**



**Photocell**  
PES-MV-TL (120-277VAC)  
0541-1031

APPLICATION AND PERFORMANCE SPECIFICATION IS SUBJECT TO CHANGE WITHOUT NOTIFICATION

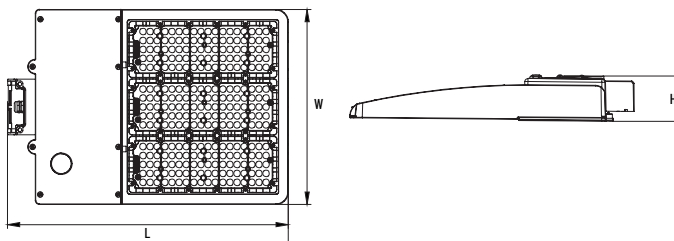


CONTRACTOR:		DATE:	
PROJECT:		MODEL#:	
PREPARED BY:			

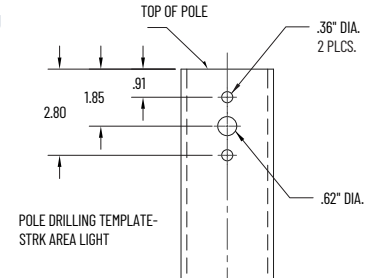
**STRK DIMENSIONS**

MOUNT TYPE	STRK 80 & 150 WATT				STRK 230 & 300 WATT				STRK 400 WATT			
	LENGTH	WIDTH	HEIGHT	WEIGHT	LENGTH	WIDTH	HEIGHT	WEIGHT	LENGTH	WIDTH	HEIGHT	WEIGHT
BODY (NO MOUNTING)	18.12	12.5	2.875	11	23.25	14.625	2.875	18.09	24	16.875	3.25	28.8
BODY W/SLIPFITTER	26.75	12.5	2.875	13.39	31.89	14.625	2.875	20.48	32.64	16.875	3.25	31.2
BODY W/TRUNNION	22.75	12.5	2.875	13.24	27.89	14.625	2.875	20.33	28.64	16.875	3.25	31
BODY W/SQUARE POLE/ROUND POLE ADAPTER	23.625	12.5	2.875	12.28	28.76	14.625	2.875	19.37	29.5	16.875	3.25	30
BODY W/POLE MOUNT (INCLUDING SLIPFITTER)	27.75	12.5	2.875	14.38	32.89	14.625	2.875	21.47	33.64	16.875	3.25	29.8
BODY W/ADJUSTABLE WALL MOUNT	24.19	12.5	2.875	13.56	29.32	14.625	2.875	20.65	30	16.875	3.25	31.36
SLIPFITTER	9.84			2.39	9.84			2.39	9.84			2.39
TRUNNION	5.74			2.24	5.74			2.24	5.74			2.24
SQUARE POLE ARM	6.81			1.28	6.81			1.28	6.81			1.28
POLE MOUNT	2.95			0.99	2.95			0.99	2.95			0.99
ADJUSTABLE WALL MOUNT	7.12			2.56	7.12			2.56	7.12			2.56

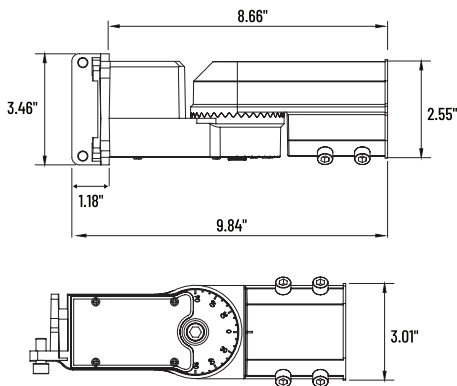
**STRK Fixture**



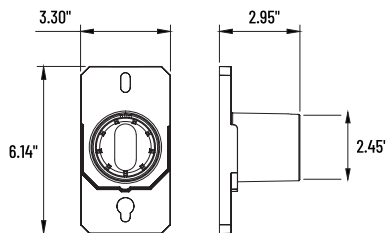
**Pole Drilling**



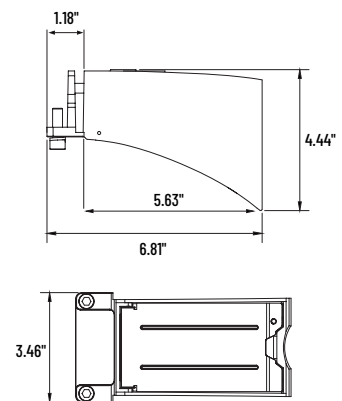
**Slipfitter Mount**



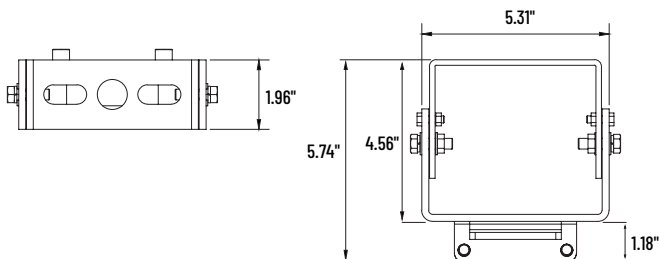
**Pole Mount (Adaptor for Slipfitter)**



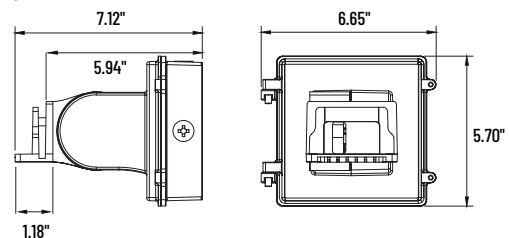
**Square Pole Arm**



**Trunnion Mount**



**Adjustable Wall Mount**

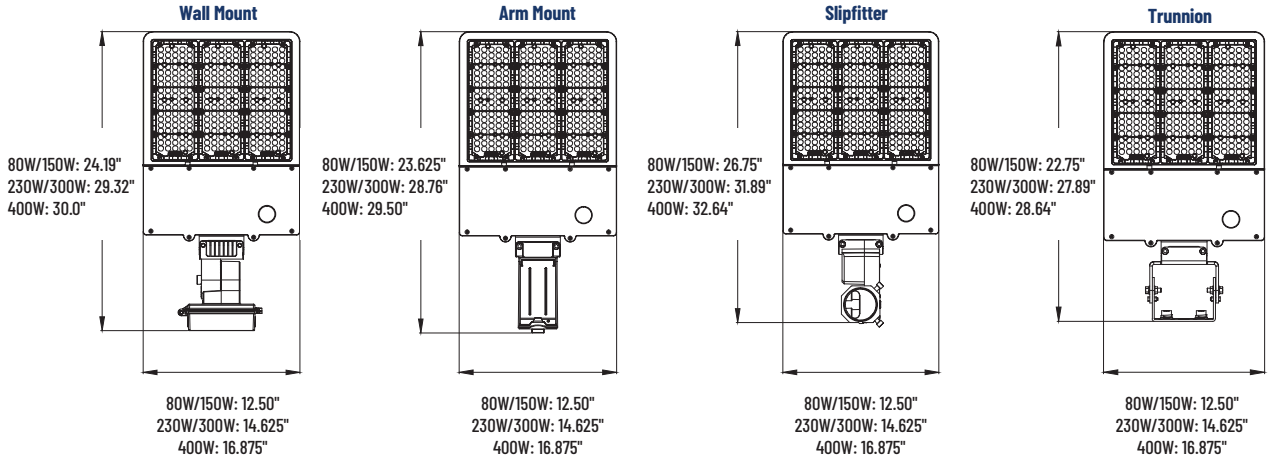


APPLICATION AND PERFORMANCE SPECIFICATION IS SUBJECT TO CHANGE WITHOUT NOTIFICATION



CONTRACTOR:	
PROJECT:	DATE:
PREPARED BY:	MODEL#:

**STRK MOUNTING DIMENSIONS**



**EPA CHART**

MODEL					
STRK80-150W Mounted with slipfitter at 45°	0.55	2.079	1.14	2.45	3.22
STRK230-300W Mounted with slipfitter at 45°	0.594	2.764	1.118	3.358	3.953
STRK400W Mounted with slipfitter at 45°	0.671	3.229	1.291	3.875	4.52
STRK80-150W Mounted with slipfitter at 90°	0.357	0.92	1.137	1.498	1.847
STRK230-300W Mounted with slipfitter at 90°	0.382	1.02	1.292	1.66	2.053
STRK400 Mounted with slipfitter at 90°	0.448	1.162	1.369	1.847	2.352

APPLICATION AND PERFORMANCE SPECIFICATION IS SUBJECT TO CHANGE WITHOUT NOTIFICATION



CONTRACTOR:	
PROJECT:	DATE:
PREPARED BY:	MODEL#:

**STRK SERIES BUG RATING CHART**

WATTAGE	VOLTAGE	DISTRIBUTION	WITHOUT HSS	WITH HSS
80	[U] : 120-277V	[T2] : Type 2	B2-U0-G2	B1 U2 G2
		[T3] : Type 3	B3-U0-G3	B1 U2 G1
		[T4] : Type 4	B3-U0-G3	B1 U2 G2
		[T5] : Type 5	B3-U0-G2	B1 U2 G1
150	[U] : 120-277V	[T2] : Type 2	B3-U0-G3	B1 U2 G2
		[T3] : Type 3	B4-U0-G4	B2 U2 G2
		[T4] : Type 4	B3-U0-G3	B1 U2 G2
		[T5] : Type 5	B4-U0-G2	B2 U2 G2
	[E] : 277-480V	[T2] : Type 2	B3-U0-G3	B1 U2 G2
		[T3] : Type 3	B4-U0-G4	B2 U2 G2
		[T4] : Type 4	B3-U0-G3	B1 U2 G2
		[T5] : Type 5	B4-U0-G2	B2 U2 G2
230	[U] : 120-277V	[T2] : Type 2	B4-U0-G4	B2 U3 G2
		[T3] : Type 3	B4-U0-G4	B2 U3 G2
		[T4] : Type 4	B4-U0-G4	B2 U3 G2
		[T5] : Type 5	B5-U0-G3	B2 U3 G2
	[E] : 277-480V	[T2] : Type 2	B3-U0-G3	B2 U3 G2
		[T3] : Type 3	B4-U0-G4	B2 U3 G2
		[T4] : Type 4	B4-U0-G4	B2 U3 G2
		[T5] : Type 5	B5-U0-G3	B2 U3 G2
300	[U] : 120-277V	[T2] : Type 2	B4-U0-G4	B2 U3 G2
		[T3] : Type 3	B5-U0-G5	B3 U3 G3
		[T4] : Type 4	B4-U0-G4	B2 U3 G3
		[T5] : Type 5	B5-U0-G3	B5 U3 G5
	[E] : 277-480V	[T2] : Type 2	B4-U0-G4	B2 U3 G2
		[T3] : Type 3	B5-U0-G5	B3 U3 G3
		[T4] : Type 4	B4-U0-G4	B2 U3 G3
		[T5] : Type 5	B5-U0-G4	B5 U3 G5
400	[U] : 120-277V	[T2] : Type 2	B4-U0-G5	B3 U5 G3
		[T3] : Type 3	B5-U0-G5	B2 U3 G2
		[T4] : Type 4	B5-U0-G5	B2 U3 G3
		[T5] : Type 5	B5-U0-G4	B3 U3 G3
	[E] : 277-480V	[T2] : Type 2	B4-U0-G4	B3 U5 G3
		[T3] : Type 3	B5-U0-G5	B2 U3 G2
		[T4] : Type 4	B5-U0-G5	B2 U3 G3
		[T5] : Type 5	B5-U0-G4	B3 U3 G3

APPLICATION AND PERFORMANCE SPECIFICATION IS SUBJECT TO CHANGE WITHOUT NOTIFICATION



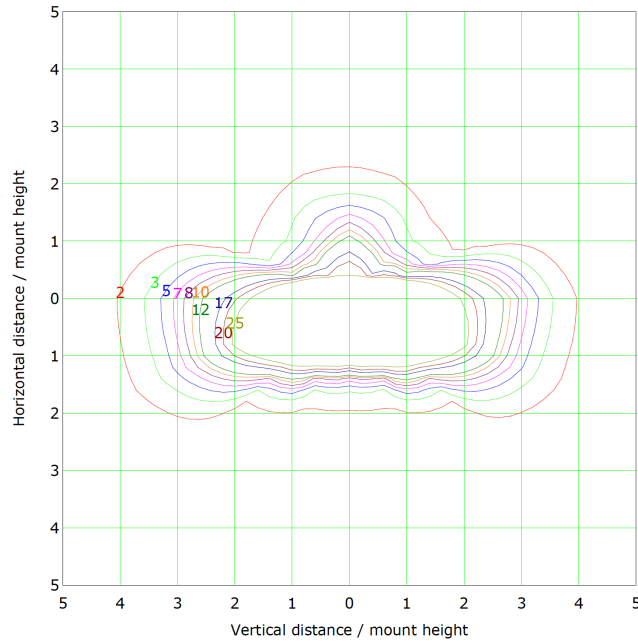
CONTRACTOR:	
PROJECT:	DATE:
PREPARED BY:	MODEL#:

**PHOTOMETRIC DIAGRAMS**

**STRK2305K T2**

*Distances are in units of mounting height 25'*

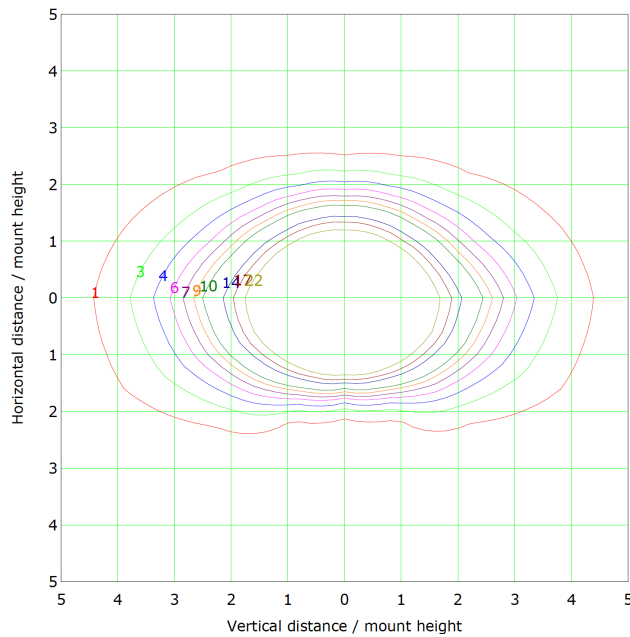
**IsoLux Plot**



**STRK2305K T3**

*Distances are in units of mounting height 25'*

**IsoLux Plot**



*To see complete photometric reports for this product inquire with [Quotes@tamlightusa.com](mailto:Quotes@tamlightusa.com)*



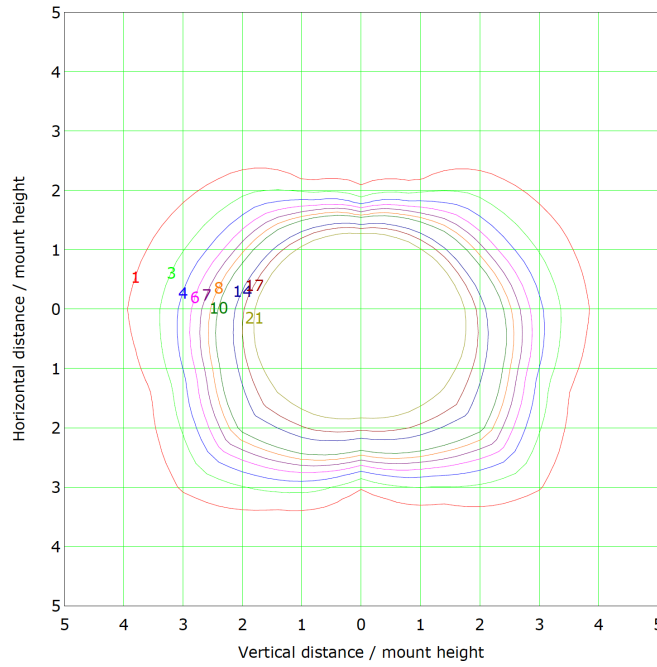
CONTRACTOR:	
PROJECT:	DATE:
PREPARED BY:	MODEL#:

**PHOTOMETRIC DIAGRAMS**

**STRK2305K T4**

*Distances are in units of mounting height 25'*

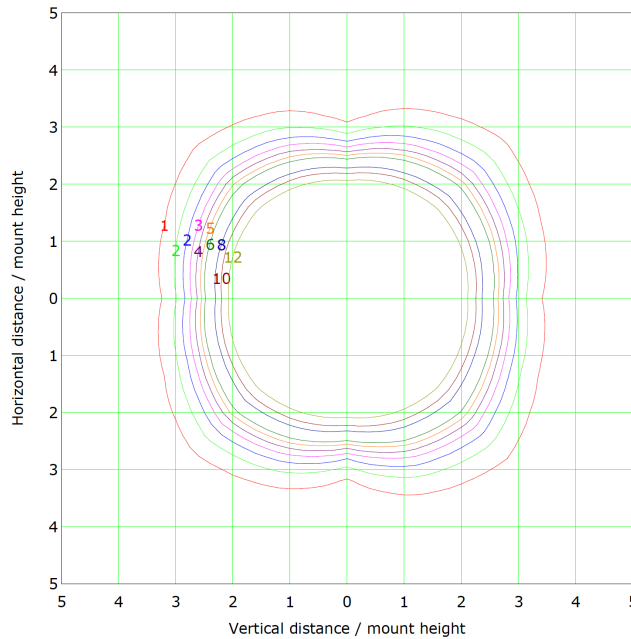
**IsoLux Plot**



**STRK2305K T5**

*Distances are in units of mounting height 25'*

**IsoLux Plot**



To see complete photometric reports for this product inquire with [Quotes@tamcogroup.com](mailto:Quotes@tamcogroup.com)



CONTRACTOR:	
PROJECT:	DATE:
PREPARED BY:	MODEL#:

**MICROWAVE SENSOR FEATURES AND SPECIFICATIONS (OPTIONAL)**

**Features**

- Input Voltage (120-277VAC)
- Built-in sunlight Sensor
- Built-in dimming function to easily adjust the luminance of fixtures
- The function can be set by IR remote controller
- Wide detection range and 10M maximum installation height
- 5-year warranty

**Detection area**

Max 10M installation heights. Max 16M coverage areas

**Hold time**

5s / 2min / 5min

**Turn on brightness**

30-60Lux

**Turn off brightness**

100-150Lux

**Detection angle**

150°(Horizontal Installation), 360°(Vertical Installation)

**Motion detection**

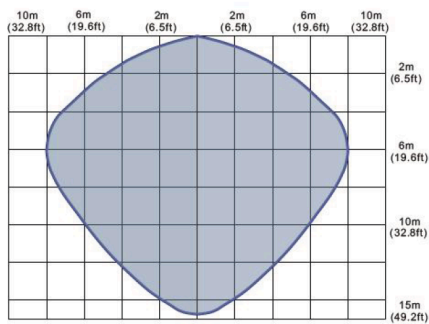
0.5-3m/s



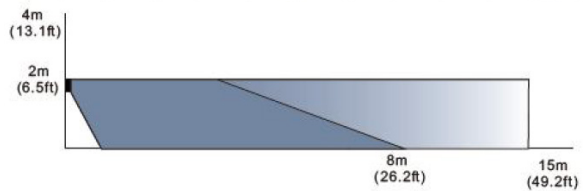
\*Remote included

**MICROWAVE SENSOR COVERAGE AREA**

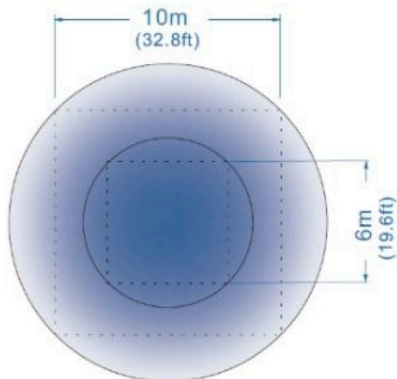
**Horizontal Mount**



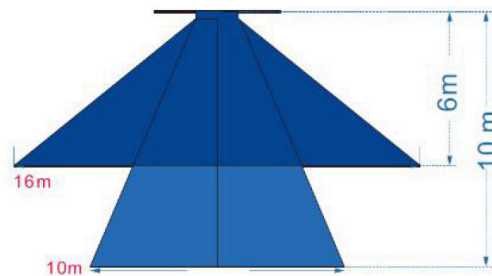
**Vertical View**



**Vertical Mount  
Height:10m**



**Vertical View**



APPLICATION AND PERFORMANCE SPECIFICATION IS SUBJECT TO CHANGE WITHOUT NOTIFICATION