



CONTRACTOR:	
PROJECT:	DATE:
PREPARED BY:	MODEL#: JBD6-CS

DESCRIPTION

JBD6-CS



The JBD series recessed down light is designed to retrofit into an electrical junction box and features a color temperature selection ranging from 2700K all the way to 5000K. This 6" multi-application fixture is designed to be a one stop solution to junction box retrofit needs.



PHYSICAL SPECIFICATIONS

Installation

Junction box mount ideal for retrofit and new construction applications.

Construction

Stamped aluminum white painted body

Optics

Polycarbonate lens

Dimming

Triac dimming 10-100%

Operating Temperature

-20°C - 40°C

Warranty

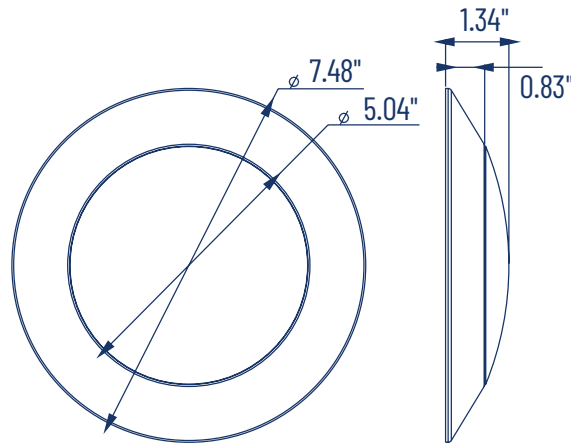
5-year limited warranty.

Listings

ETL listed to US and Canadian safety standards. Wet location listed. Energy Star Listed.

NOTE: Actual performance may differ as a result of end-user environment and application. All values are design or typical values, measured under laboratory conditions at 25 °C. Specifications subject to change without notice

LINE DRAWING



APPLICATION AND PERFORMANCE SPECIFICATION IS SUBJECT TO CHANGE WITHOUT NOTIFICATION



CONTRACTOR:	
PROJECT:	DATE:
PREPARED BY:	MODEL#: JBD6-CS

ORDERING INFORMATION

Example: JBD6-CS

SERIES	SIZE	COLOR TEMP
JBD	[6]: 6 "	[CS]: 27K/30K/35K/40K/50K

LIGHTING SPECIFICATIONS

Series	LUMENS	LPW	WATTAGE	VOLTAGE	CRI
JBD6-CS	1250	66.7	16	120	90

ELECTRICAL SPECIFICATIONS

Driver Specifications	
Nominal W	16W
Input Voltage (VAC)	120V
Frequency Range (Hz)	60 HZ
Power Factor @ Full Load	>0.9
Dimming Control 0-10V	Triac dimming 10 -100%
Operating Temperature	-20°C - 40°C

APPLICATION AND PERFORMANCE SPECIFICATION IS SUBJECT TO CHANGE WITHOUT NOTIFICATION