



CONTRACTOR:	
PROJECT:	DATE:
PREPARED BY:	MODEL#:

DESCRIPTION



CSRT Series

5 in 124VDC Dimmable Junction Box LED Driver

The CSRT series dimmable junction box LED driver is the ideal choice for commercial and residential low voltage LED ribbon tape applications. The durable powder coated steel housing includes a dedicated junction box compartment for low voltage and high voltage connections and is wet location rated for both indoor and outdoor use. Compatible with most PWM, MLV, ELV, TRIAC, and 0-10V dimmers* the CSRT junction box LED drivers are a true multi-purpose low voltage driver solution.



CONSTRUCTION

Housing
Steel

Mounting
Surface mount

Warranty

5-year limited warranty.
NOTE: Actual performance may differ as a result of end-user environment and application. All values are design or typical values, measured under laboratory conditions at 25 °C. Specifications subject to change without notice.

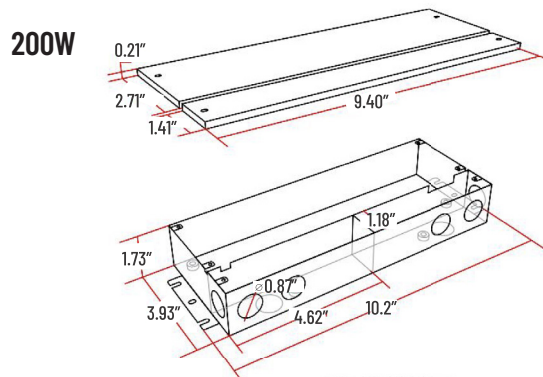
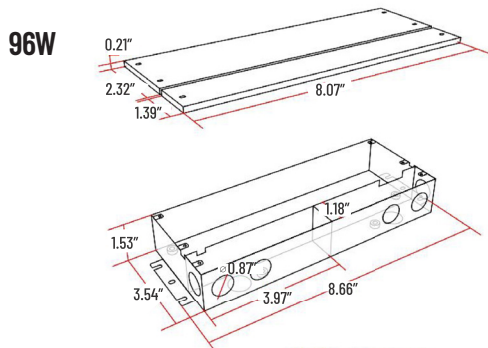
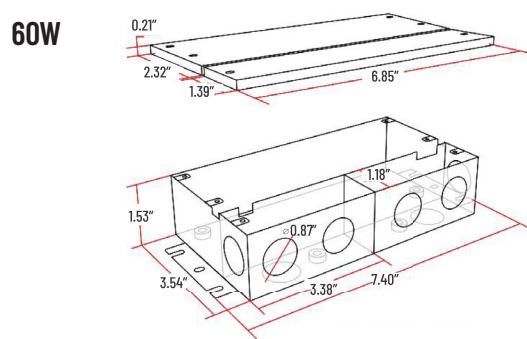
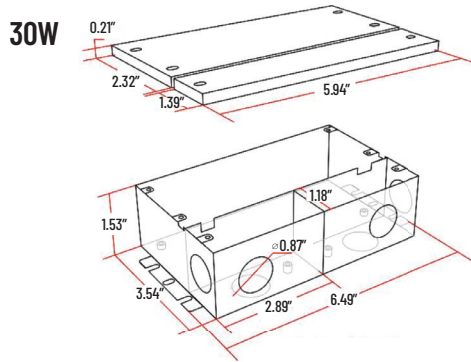
Finish
Black powdercoat

Operating Temperature
-40°C - +60°C

Class
Class 2

Listings
UL listed to US safety standards.
Suitable for wet locations.

LINE DRAWING



APPLICATION AND PERFORMANCE SPECIFICATION IS SUBJECT TO CHANGE WITHOUT NOTIFICATION



CONTRACTOR:	
PROJECT:	DATE:
PREPARED BY:	MODEL#:

ORDERING INFORMATION

EXAMPLE: CSRT30 JB

SERIES	WATTAGE AND VOLTAGE	HOUSING TYPE
CSRT	[30] : 30 Watt 24VDC [60] : 60 Watt 24VDC [96] : 96 Watt 24VDC [200] : 200 Watt 24VDC	[JB] : Junction Box

ELECTRICAL SPECIFICATIONS

SERIES	CSRT30JB	CSRT60JB	CSRT96JB	CSRT200JB
Frequency	50-60Hz	50-60Hz	50-60Hz	50-60Hz
Input voltage	120-277VAC	120-277VAC	120-277VAC	120-277VAC
Input current	0.5A at 100VAC	0.5A at 100VAC	1.3A at 100VAC	2.3A at 100VAC
Wattage	30W	60W	96W	200W
Output voltage	24VDC	24VDC	24VDC	24VDC
Output current	1250mA	2500mA	4000mA	8330mA
THD	<20%	<20%	<20%	<20%
Power factor	0.99 at 120VAC 0.95 at 277VAC	0.98 at 120VAC 0.95 at 277VAC	0.98 at 120VAC 0.95 at 277VAC	0.98 at 120VAC 0.95 at 277VAC
Dimming	PWM with forward phase/leading edge, reverse phase/trailing edge, MLV, ELV, TRIAC, 0-10V	PWM with forward phase/leading edge, reverse phase/trailing edge, MLV, ELV, TRIAC, 0-10V	PWM with forward phase/leading edge, reverse phase/trailing edge, MLV, ELV, TRIAC, 0-10V	PWM with forward phase/leading edge, reverse phase/trailing edge, MLV, ELV, TRIAC, 0-10V
Over load protection	≤120% shut down o/p voltage, re-power on to recover after fault condition is removed	≤120% Hiccup mode, recovers automatically after fault condition is removed	≤120% constant current limiting, auto-recovery	≤120% constant current limiting, auto-recovery
Over temperature protection	100°C±10°C shut down output voltage, automatically recover after cooling.	100°C±10°C shut down output voltage, automatically recover after cooling.	100°C±10°C shut down output voltage, automatically recover after cooling.	100°C±10°C shut down output voltage, automatically recover after cooling.
Output short-circuit protection	Shut down o/p voltage, re-power on to recover after fault condition is removed.	Shut down o/p voltage, re-power on to recover after fault condition is removed.	Shut down o/p voltage, re-power on to recover after fault condition is removed.	Shut down o/p voltage, re-power on to recover after fault condition is removed.

APPLICATION AND PERFORMANCE SPECIFICATION IS SUBJECT TO CHANGE WITHOUT NOTIFICATION

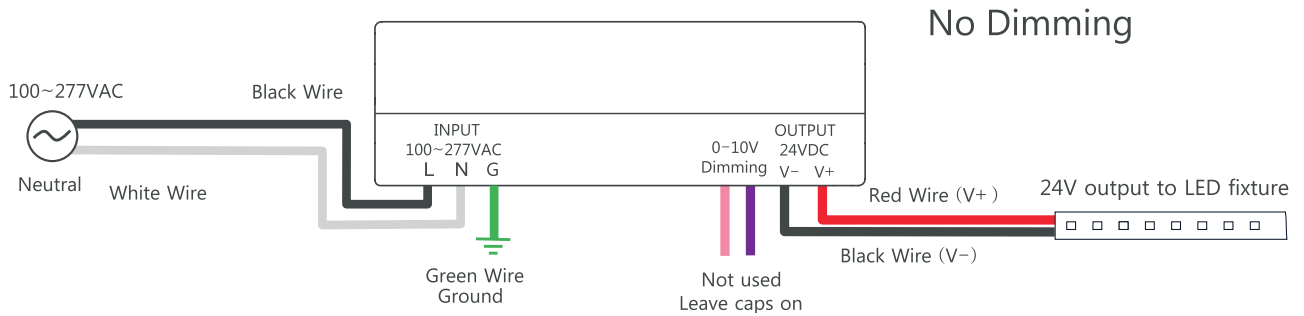
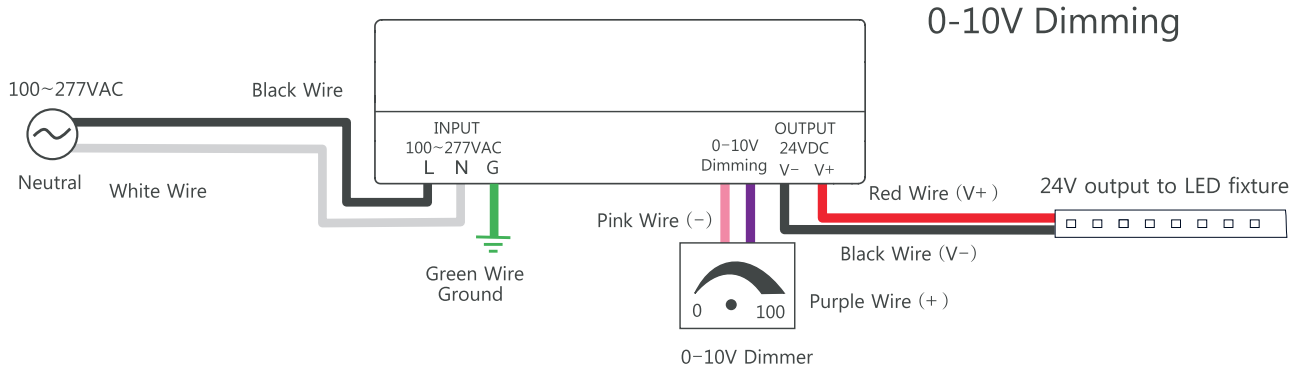
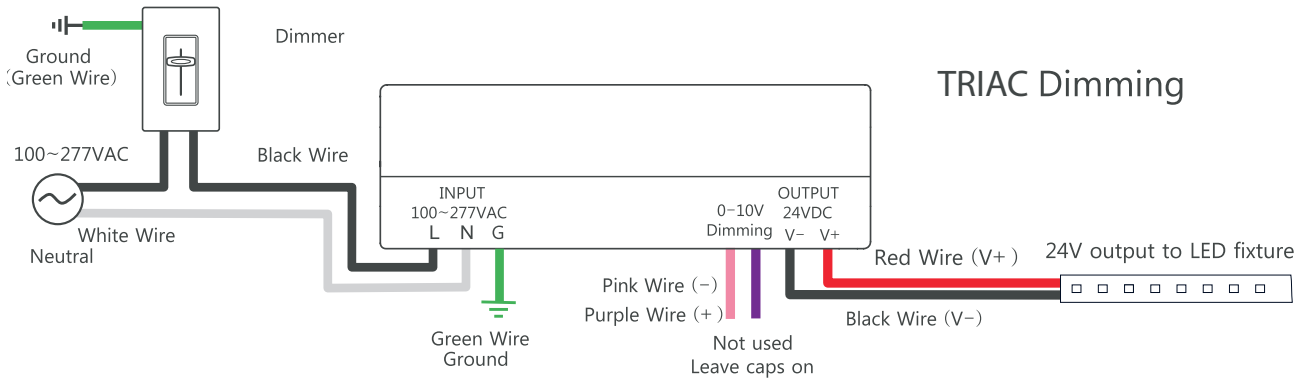


CONTRACTOR:	
PROJECT:	DATE:
PREPARED BY:	MODEL#:

WIRING DIAGRAM

Using TRIAC/Phase cut dimming

1. The Pulse-Width Modulation (PWM) of output voltage can be adjusted through input terminal of the AC phase line(L) by connection a phase /Triac dimmer of lighting system.
2. Work with forward phase /leading edge ,MLV and reverse phase /trailing edge ,ELV,TRIAC dimmers.
3. Use dimmers with power at least 1.5 times as the output power of the driver.



APPLICATION AND PERFORMANCE SPECIFICATION IS SUBJECT TO CHANGE WITHOUT NOTIFICATION



CONTRACTOR:			
PROJECT:		DATE:	
PREPARED BY:		MODEL#:	

COMPATIBLE DIMMERS

Legrand Dimmers

(These dimmers have adjustable minimum dimming level which provides better compatibility with certain LED loads.)

TradeMaster

TDLV703PW	TDLV1103PW	TLV600W	TLV1103W	TLV603W	TLV1000W	SSLV600W
SSLV603W	SSLV1000W	SSLV1003W				

Harmony

HLV703PTC	HLV703PW	HLV1103PTC	HLV1103PW			
-----------	----------	------------	-----------	--	--	--

Wide Slide

WSLV703PW	WSLV703PTC	WSLV700W	WSLV700TC			
-----------	------------	----------	-----------	--	--	--

LS

LSLV603PW	LSLV600W	LSLV600PW				
-----------	----------	-----------	--	--	--	--

Leandro

DLV600MWV						
-----------	--	--	--	--	--	--

Lutron Dimmers

Ariadni/Toggler

AYLV-603P	AYLV-603P-CSA	AYLV-603P-S	AYLV-600P	AYLV-600P-CSA	AYLV-600P-S	
-----------	---------------	-------------	-----------	---------------	-------------	--

Diva

DVLV-103P	DVLV-103P-CSA	DVLV-600P	DVLV-603	DVLV-603P-CSA	DVLV-103P-S	DVLV-603P-S
DVLV-103PH-S	DVLV-603PH-S	DVLV-10P	DVLV-10P-CSA	DVLV-10P-S	DVLV-10PH-S	DVSCVLV-103P
DVSCVLV-603P	DVSCVLV-103P-L	DVSCVLV-603P-L	DVSCVLV-600P	DVSCVLV-10P-L	DVSCVLV-10P	CA-3PS
CA-4PS	CA-1PS	SC-3PS	SC-4PS	SC-1PS		

Glyder

GLV-600	GLV-600-CS	GLV-600-S				
---------	------------	-----------	--	--	--	--

Nova T

NTLV-1500	NTLV-1000	NTLV-600	NTLV-1500-S	NTLV-1000-S	NTLV-600-S	NTLV-1503P
NTLV-1003P	NTLV-603P	NTLV-1003P-CSA	NTLV-603P-CSA	NTLV-1503P-CSA	NTLV-1503P-S	NTLV-1003P-S
NTLV-603P-S	NT-3PS	NT-4PS	NT-1PS	NT-3PS-CSA	NT-4PS-CSA	NT-1PS-CS
NT-3PS-S	NT-4PS-S	NT-1PS-S				

Skylark

SLV-603P	SLV-603P-CSA	SLV-603PH-CSA	SLV-603P-S	SLV-603PH-S	SLV-600P	SLV-600P-CSA
SLV-600PH-CSA	SLV-600P-S	SLV-600PH-S				

Vareo

V-1000	V-600	V-1000-S	V-600-S	VETS-1000	VETS-1000-CSA	VETS-1000-CSA
VETS-R	VETS-R					

Leviton Dimmers

SureSlide

6613-PLW	6613-PLI	6613-PLA	6613-PLT			
----------	----------	----------	----------	--	--	--

Illumatech

IPM06-1LZ	IPM06-1LX	IPM10-1L				
-----------	-----------	----------	--	--	--	--

Mural

MDM06-1LI	MDM06-1LW	MDM06-1LA	MDM10-1LI	MDM10-1LW	MDM10-1LA	
-----------	-----------	-----------	-----------	-----------	-----------	--

Vizia+

VPM10-1LZ	VPM06-1LZ					
-----------	-----------	--	--	--	--	--

ToggleTouch

TGM10-1LW	TGM10-1LI	TGM10-1LT	TGM10-1LG	TGM10-1LA		
-----------	-----------	-----------	-----------	-----------	--	--

TrueTouch

TTM10-1LX	TTM10-1LZ	TTM10-1GS	TTM10-10W	TTM10-10I	TTM10-1WS	TTM10-1GI
-----------	-----------	-----------	-----------	-----------	-----------	-----------

*Actual performance and or compatibility may differ as a result of end-user environment and application.