

INSTALLATION INSTRUCTIONS

SHN1 & SHN2

WARNING!

Fixtures must be grounded and installed in accordance with the National Electrical Code and all local codes. Failure to do so may increase the RISK OF PERSONAL INJURY, PROPERTY DAMAGE, FIRE AND DEATH. Install and use so fixture failures do not cause a hazard and use only in environments for which the product is specifically marked.

1. Introduction

This LED Wall-Packs light uses the latest in solid state lighting technology for long life, low maintenance, and high efficiency.

An internal power-factor-corrected switch-mode supply allows it to be used from any nominal 120V-277V, 50/60Hz AC supply without any variation in light output.

Suitable for use in the following locations:

- Ambient Temp: -40~+40°C
- Wet Locations

Note: Save these instructions for future reference.

2. Installation:

Warning:

To avoid the risk of fire, or electric shock, this product should be installed, inspected, and maintained by a qualified electrician only, in accordance with all applicable electrical codes.

Warning:

To avoid electric shock:

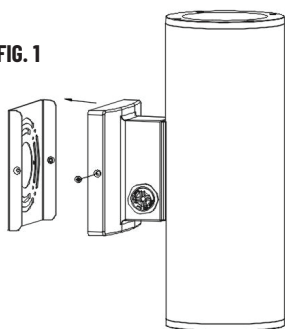
- Be certain electrical power is OFF before and during installation and maintenance.
- Luminaire must be connected to a wiring system with an equipment-grounding

CAUTION:

THIS PRODUCT MUST BE INSTALLED IN ACCORDANCE WITH THE APPLICABLE INSTALLATION CODE BY A PERSON FAMILIAR WITH THE CONSTRUCTION AND OPERATION OF THE PRODUCT AND THE HAZARDS INVOLVED MIN 90°C SUPPLY CONDUCTORS.

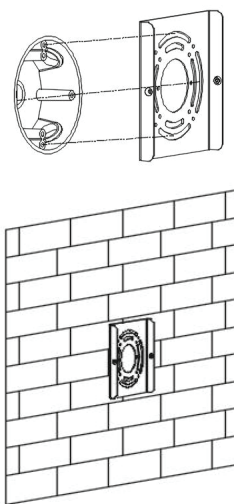
3. Installation Steps

FIG. 1



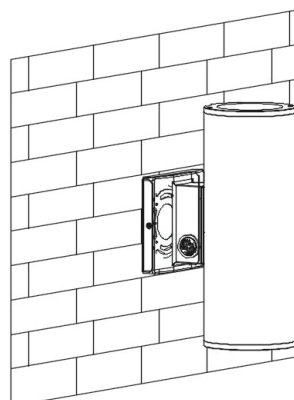
Step 1: Turn on the screws on both sides of the mounting seat, then take off the retainer plate. (Fig. 1)

FIG. 2



Step 2: As shown, use a tool to open the mounting position of the junction box, Attach the fixing plate to the junction box with suitable screws (do not contain.) (Fig. 2)

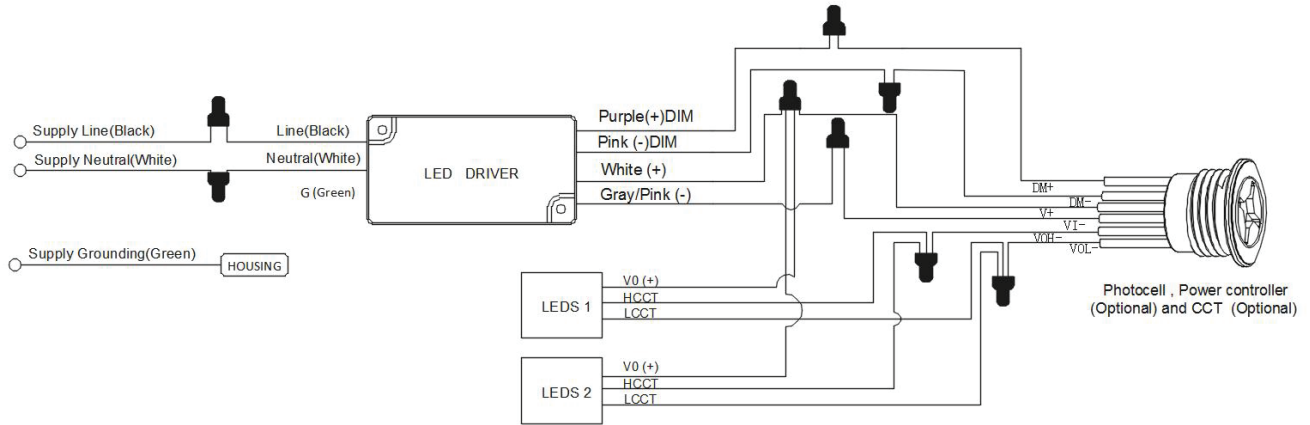
FIG. 3



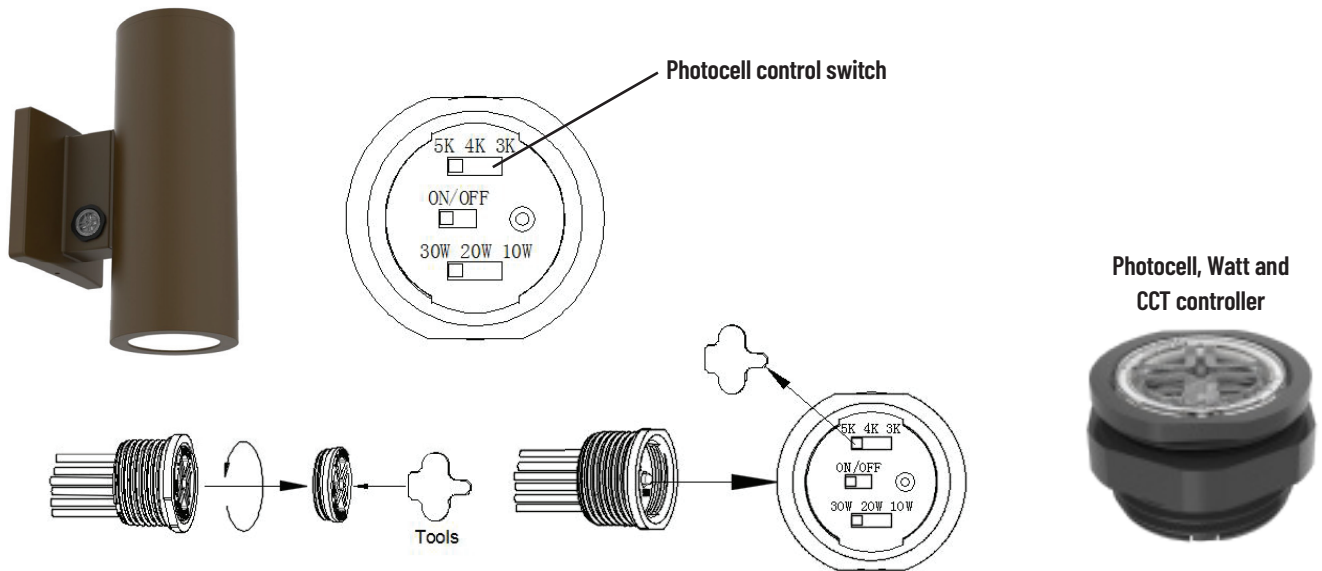
Step3: Install the luminaire on the retainer plate. (Fig. 3)

INSTALLATION INSTRUCTIONS

4. Diagrams and Methods of Wattage and CCT Selectable Function: Photocell, Wattage and CCT tunable (Optional)



DO NOT SWITCH UNDER LOAD. KEEP PROTECTIVE BARRIER IN PLACE DISCONNECT POWER BEFORE SERVICING.



According to the watt and CCT selectable label shown in the diagram, please toggle the DIP to select the corresponding watt and CCT.

Make sure to re-tighten the transparent cap after debugging.

After installation, please:

Check whether the lighting fixture is firmly fixed.

• **Check whether wires are connected correctly.**

• **At last, turn on the power, and check if the lighting fixture works well. If not, please turn off the power and contact with local dealer.**

Warning: the luminaire shall be installed by qualified electrician.