

INSTALLATION**VAPOR PROOF LED FIXTURE**

Vapor proof led light with wire guard. With IP65, it can be installed in to both dry and wet locations. The fixture housing is constructed from high strength aluminum combined with a steel wire guard for the lens to ensure a long service life in harsh conditions. The 90-180° adjustable angle enables it to be used in a variety of applications, including vertical installations and horizontal installations. This light fixture has the advantages of wide lighting angles, high efficiency, no flickering, and long lifespan.

WARNING READ PRIOR TO INSTALLATION:

INSTALLATION SHOULD BE CARRIED OUT BY A CERTIFIED ELECTRICIAN; INSTALLATION SHOULD BE COMPLETED BY AN INDIVIDUAL FAMILIAR WITH THE CONSTRUCTION AND OPERATION OF THE LUMINAIRE. INSTALLATION OF LUMINAIRE MUST BE IN ACCORDANCE WITH NATIONAL AND LOCAL BUILDING AND ELECTRICAL CODES.

- Always turn off power prior to installation, replacement, or maintenance.
- RISK OF FIRE OR ELECTRIC SHOCK
- To prevent wiring damage or abrasion, do not expose wiring edges to sheet metal or other sharp objects.
- Do not press directly on the lens, as it may cause damage.
- Luminaire must be supplied by a wiring system with an equipment grounding conductor.
- Protect all wiring connections with approved insulators (not supplied).
- Do not use if there is any damage to the light or wire insulation. Inspect periodically.
- To prevent injury make sure lens and housing are cool when performing maintenance.
- Make sure the wire supply voltage is the same as the luminaire supply.
- Use proper supply wiring as specified on the luminaire label.

STOP: THIS FIXTURE IS NOT INTENDED TO BE USED WITH GENERATORS OR OTHER TEMPORARY POWER SOURCES, DOING SO MAY CAUSE DAMAGE TO THE ELECTRONICS WITHIN AND VOID THE WARRANTY.

WARNING: Operating temperature: -20°C to 45°C (-4° F to 113°F).

WARNING: They are suitable for dry and wet locations.

WARNING: This device can not be intended for use with emergency exits.

WARNING: Turn off the power before installation.

WARNING: The electrical rating of this product is 100-277V. Installer must confirm that there is 100-277V at the fixture before installation.

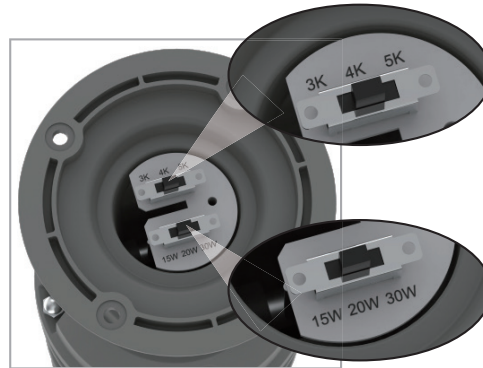
WATTAGE SELECTION AND COLOR TEMPERATURE SELECTION SWITCHES
INCLUDED HARDWARE

Screw: PM5*13 - 1PC

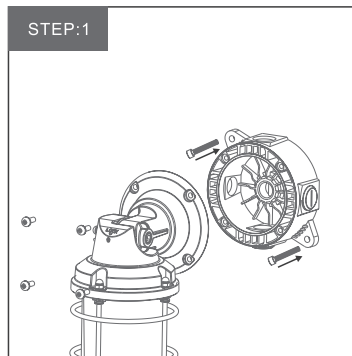
Screw: PA5*40 - 3PCS

Expansion Screws: 3 PCS

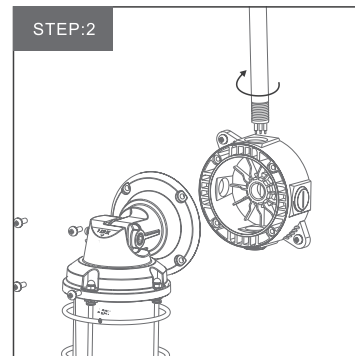
Bend Pipe: 1 PC


CCT Selectable: 3000K/4000K/5000K
Watt Selectable: 15W/20W/30W
INSTALLATION METHOD 1

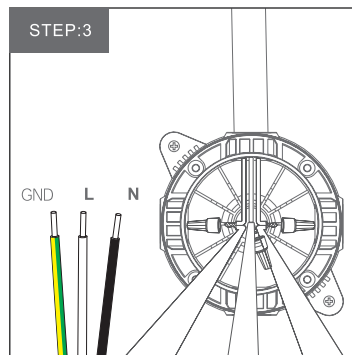
Note: Base must be properly sealed using approved methods.



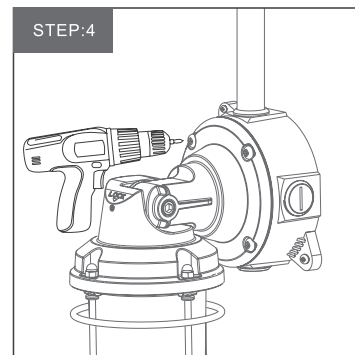
Drill two holes and install the lamp base.



Insert the conduit. Ensure connections are properly sealed.



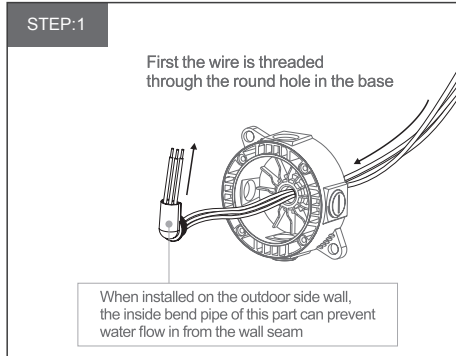
Connect wires. Electrical power must be turned off before making connections.



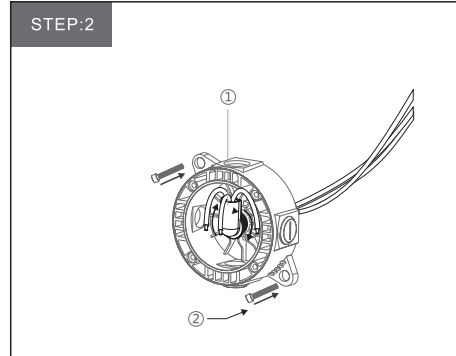
Select wattage and color temperature using internal switches. Align fixture with base and ensure correct gasket placement. Install screws and tighten. Adjust fixture angle as desired and secure in position with pivot screw and lock screw.

INSTALLATION METHOD 2

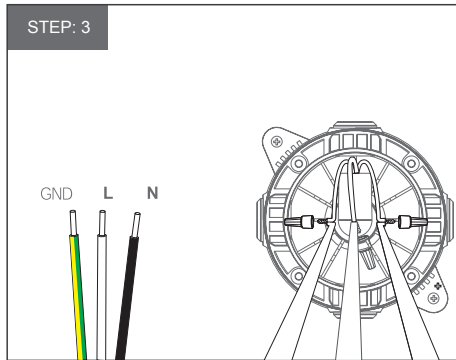
Note: Base must be properly sealed using approved methods.



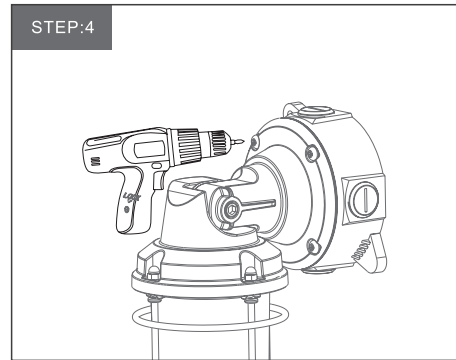
First the wire is installed through the round hole in the base.



1. Thread bend pipe into fixture base.
2. Install the base

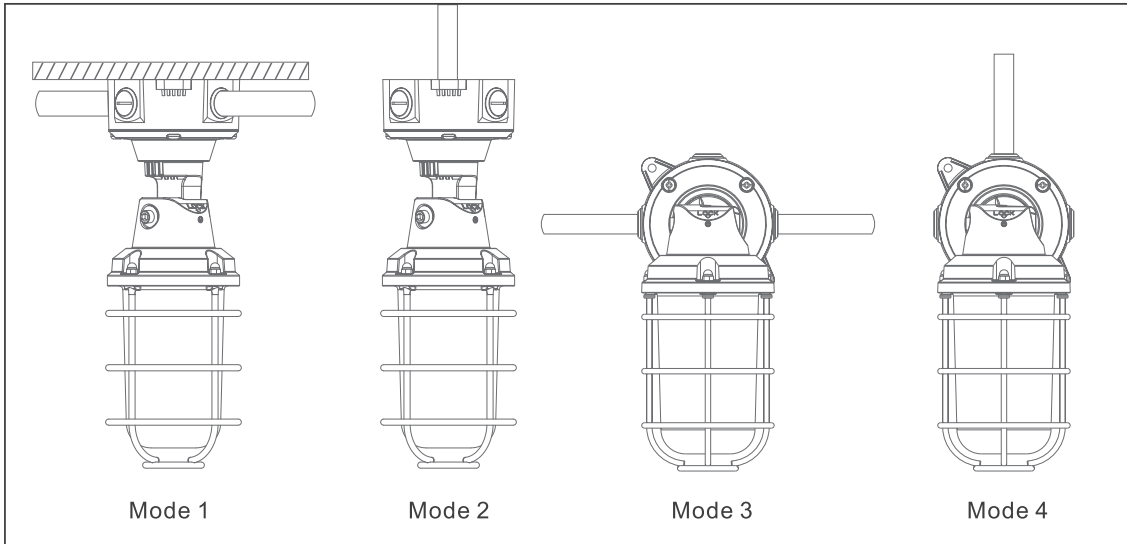


Connect wires. Electrical power must be turned off before making connections.



Select wattage and color temperature using internal switches. Align fixture with base and ensure correct gasket placement. Install screws and tighten. Adjust fixture angle as desired and secure in position with pivot screw and lock screw.

ORIENTATIONS



BASIC PARAMETERS:

Watt	Input	Light effect	Lamp Dimension (180°)	Lamp Dimension (90°)	Operating temperature
15W/20W/30W	100-277 Vac	95lm/w±5%	115x305mm	157x257mm	-20~45°C