

JBD4-5CS, JBD6-5CS, JBD6-5CS-OS JUNCTION BOX DOWNLIGHT

WARNING READ PRIOR TO INSTALLATION:

- Installation should be carried out by a certified electrician; installation should be completed by an individual familiar with the construction and operation of the product. Installation of product must be in accordance with national and local building and electrical codes.
- Always turn off power prior to installation, replacement, or maintenance.

RISK OF FIRE OR ELECTRIC SHOCK:

- To prevent wiring damage or abrasion, do not expose wiring edges to sheet metal or other sharp objects.
- Product must be supplied by a wiring system with an equipment grounding conductor.
- Protect all wiring connections with approved insulators (not supplied).

CAUTION:

- For your safety read and understand instructions completely before starting installation.
- These luminaires (fixtures) are designed to meet the latest NEC requirements and are listed in full compliance with UL 1598.
- Before attempting installation, check your local electrical code, as it sets the wiring standards for your locality.

STOP: THIS PRODUCT IS NOT INTENDED TO BE USED WITH GENERATORS OR OTHER TEMPORARY POWER SOURCES, DOING SO MAY CAUSE DAMAGE TO THE ELECTRONICS WITHIN AND VOID THE WARRANTY.

TECHNICAL SPECS:

Series: JBD6-5CS **Wattage:** 15W **Input Voltage:** 120V, 60Hz **Lumens:** 1200lm **CCT:** 2700K/3000K/3500K/4000K/5000K

Series: JBD4-5CS **Wattage:** 11W **Input Voltage:** 120V, 60Hz **Lumens:** 780lm **CCT:** 2700K/3000K/3500K/4000K/5000K

Closted Rated: Conforms to NEX410.16 (A) (3) and 410.16 (C)

INSTALLATION

JBD4-5CS AND JBD6-5CS JUNCTION BOX DOWNLIGHT

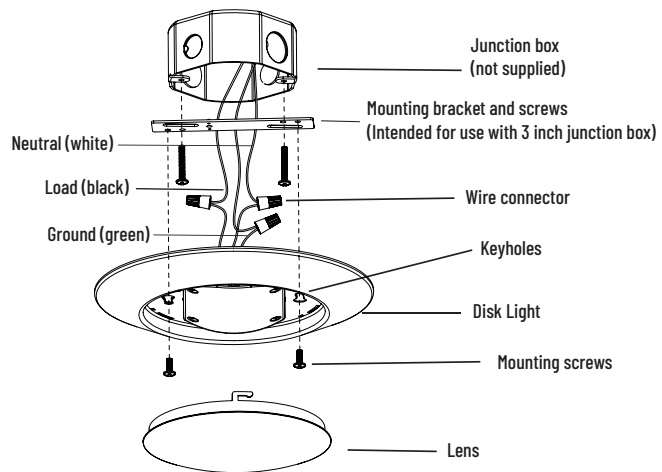
WARNING:

INSTALLATION SHOULD BE CARRIED OUT BY A CERTIFIED ELECTRICIAN; INSTALLATION SHOULD BE COMPLETED BY AN INDIVIDUAL FAMILIAR WITH THE CONSTRUCTION AND OPERATION OF THE PRODUCT.

INSTALLATION OF PRODUCT MUST BE IN ACCORDANCE WITH NATIONAL AND LOCAL BUILDING AND ELECTRICAL CODES.

DISCONNECT ELECTRICAL POWER BEFORE INSTALLATION.

- Install mounting screws into junction box leaving enough exposed to engage keyholes in the disk light. If using 3 inch junction box install mounting bracket and screws.
- Remove lens from disk light and make electrical connections using approved connectors. Ground (green or bare) wire to green ground wire on fixture. Neutral (white) wire to white neutral wire on fixture. Load (black) wire to black load wire on fixture.
- Align keyholes in disk light with mounting screws. Mount onto screws and ensure disk light is secured properly.
- Select desired color temperature using the CCT switch located on the LED module.
- Install lens. Align tabs on lens with notches on disk light housing. Twist to lock lens into place. Ensure lens is properly installed.
- Power on disk light and verify operation.



INCLUDED ACCESSORIES BAG



Wire Nut
Qty: 3 pcs
P3

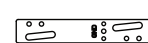


#8-32 x 3/8"
Qty: 2 pcs



#8-32 x 1"
Qty: 2 pcs

Junction Box Screw
Stainless Steel



Mounting Plate
Qty: 1 pc

INSTALLATION

JBD6-5CS-OS JUNCTION BOX DOWNLIGHT

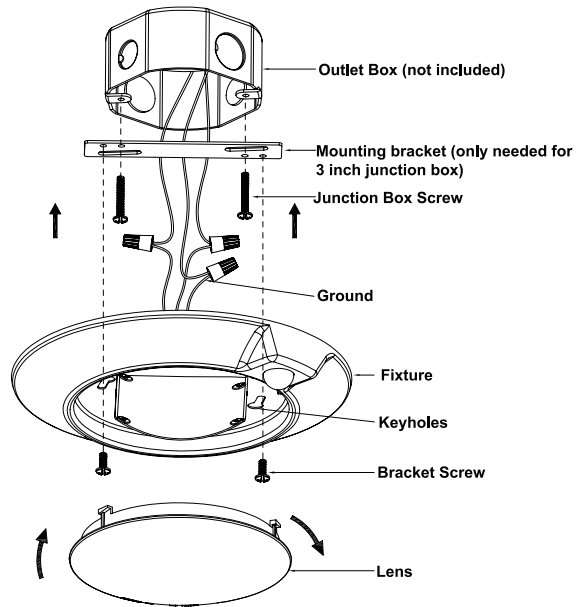
WARNING:

INSTALLATION SHOULD BE CARRIED OUT BY A CERTIFIED ELECTRICIAN; INSTALLATION SHOULD BE COMPLETED BY AN INDIVIDUAL FAMILIAR WITH THE CONSTRUCTION AND OPERATION OF THE PRODUCT.

INSTALLATION OF PRODUCT MUST BE IN ACCORDANCE WITH NATIONAL AND LOCAL BUILDING AND ELECTRICAL CODES.

DISCONNECT ELECTRICAL POWER BEFORE INSTALLATION.

- Install mounting screws into junction box leaving enough exposed to engage keyholes in the disk light. If using 3 inch junction box install mounting bracket and screws.
- Set Timer via dip switch located on the back of the disk light. Options are: 60/180/300 seconds (1/3/5 minutes).
- Remove lens from disk light and make electrical connections using approved connectors. Ground (green or bare) wire to green ground wire on fixture. Neutral (white) wire to white neutral wire on fixture. Load (black) wire to black load wire on fixture.
- Align keyholes in disk light with mounting screws. Mount onto screws and ensure disk light is secured properly.
- Select desired color temperature using the CCT switch located on the LED module.
- Install lens. Align tabs on lens with notches on disk light housing. Twist to lock lens into place. Ensure lens is properly installed.
- Power on disk light and verify operation.



INCLUDED ACCESSORIES BAG



Wire Nut
Qty: 3 pcs
P3

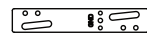


#8-32 x 3/8"
Qty: 2 pcs

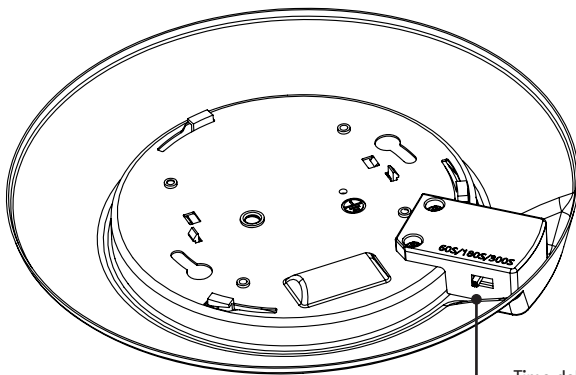


#8-32 x 1"
Qty: 2 pcs

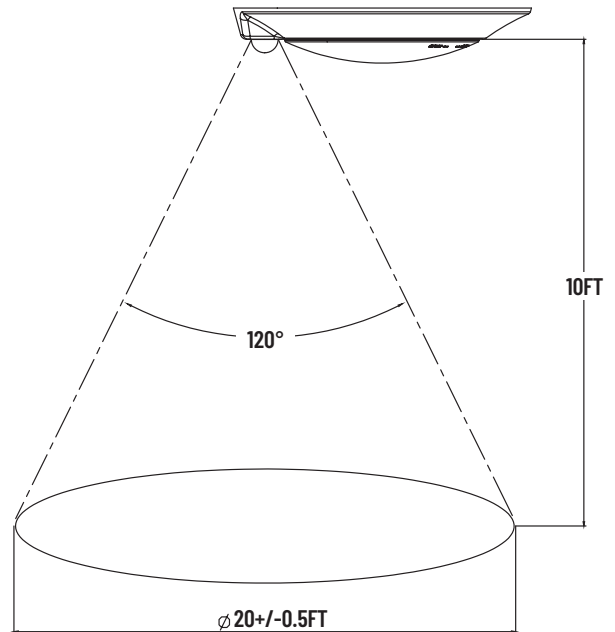
Junction Box Screw
Stainless Steel



Mounting Plate
Qty: 1 pc



Time delay selection switch location.



COMPATIBLE DIMMER LIST

NO	BRAND	DIMMER MODEL NUMBER
1	LUTRON	DVCL-153P
2		MACL-153M
3		SCL-153P
4		STCL-153M
5	LEVITON	6672
6		6674
7		6681
8		6613-P
9		6631-L
10		6633-P
11		IPI06-1LZ
12		VPE06