

CLY-5CS-FR SERIES PANEL LIGHT INSTALLATION INSTRUCTIONS

IMPORTANT: Read all instructions before installing fixture. Retain for future reference.

Safety: For your safety, this fixture must be wired in accordance to local electric codes and ordinances. All work must be done by a qualified electrician.

Warning: Make certain power is OFF from the electrical panel before starting installation or attempting any maintenance. Indoor installation only.

Tools Required:

1. Saw
2. Measuring Tape

Pre-installation:

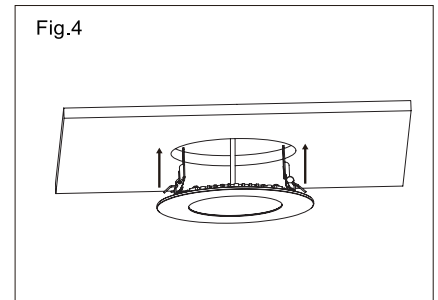
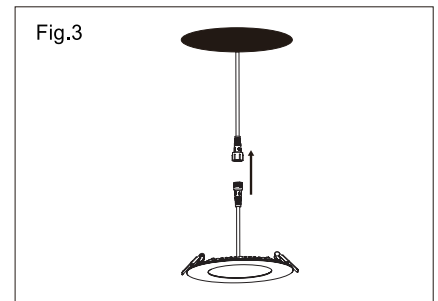
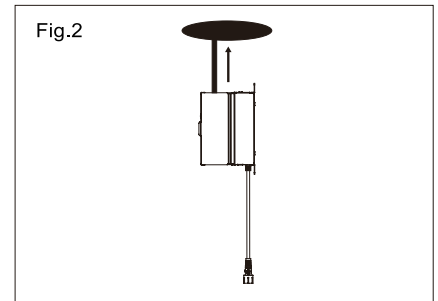
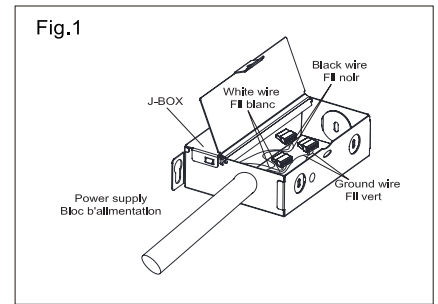
1. Turn power OFF from the electrical panel before starting installation.
2. Locate a suitable position to plate the fixture and open in accordance to the cut hole dimensions (refer to hole cut table for appropriate size)
3. Select desired color temperature by sliding switch on power box of unit.
(Available CCT's are 2700K, 3000K, 3500K, 4000K, 5000K) (Fig. 5)
4. Run electrical wire from the switch (power supply) through the mounting hole, use NMD90 or BX cable.

Driver Wiring:

1. Open the hardwire box swing cover and remove the appropriate knockout(s).
2. Insert the electrical supply cable through the knockout and secure with a cable connector (sold separately).
3. Using the wire nuts, connect green ground wire of cable to green wire of box. Connect black wire of cable to black wire on box. (Fig. 1)
4. Place all wiring connections back into box and close the cover.
5. Insert hardwire box through the mounting hole. (Fig. 2) New construction applications: Hardwire box shall be firmly secured to studs, joists, or similar fixed structural units. Remodel applications: Do not require the hardwire box to be firmly secured after the mounting plates, joists, or structural units have been concealed.

Fixture Installation:

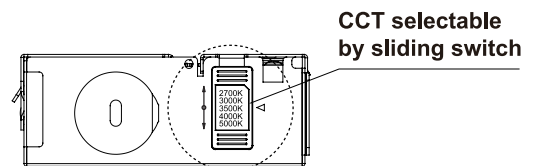
1. Connect the fixture to the hardwire box by inserting and twisting the quick disconnect assembly (male/female). (Fig. 3)
2. Push spring loaded clips on the fixture upward and insert fixture through the mounting hole vertically, clips first. Release the clips and fixture will be pushed flush to the ceiling. (Fig. 4)
3. Once assembly is complete, turn on power to confirm fixture is working properly.



HOLE CUT SIZE :

- | | |
|----------|-----------------|
| 4" Round | Ø4-1/4" (108mm) |
| 6" Round | Ø6-1/2" (165mm) |

Fig.5



COMPATIBLE DIMMER LIST

NO.	BRAND	DIMMER ITEM NO.
1	LUTRON	MACL-153M-WH
2		DVCL-153P-WH
3		NLV-600
4		NTLV-600
5		N-600
6		NTELV-600
7		SCL-153P-WH
8		STCL-153M-WH
9		CTCL-153P
14	LEVITON	IPL06-10Z