



MODEL#: LHB SO SERIES  
INSTALLATION INSTRUCTION MANUAL

**INSTALLATION INSTRUCTIONS**

**LED LINEAR HIGH BAY**

**WARNING:**

**THIS PRODUCT MUST BE INSTALLED IN ACCORDANCE WITH ALL APPLICABLE INSTALLATION CODES BY A LICENSED ELECTRICIAN.**

To avoid the risk of fire, explosion, or electric shock, this product should be installed, inspected, and maintained by a qualified electrician only, in accordance with all applicable electrical codes.

**CAUTION:**

- 1. AVOID USING ANY ELECTRIC GENERATOR TO TEST THE LED LIGHT.**
- 2. PLEASE ENSURE COMPLIANCE WITH APPLICABLE COUNTRY, REGIONAL, AND LOCAL LAWS AND REGULATIONS WHEN INSTALLING THIS FIXTURE.**
- 3. REMEMBER TO TURN OFF THE POWER PRIOR TO INSTALLATION OR MAINTENANCE.**
- 4. PROPER GROUNDING IS ESSENTIAL TO GUARANTEE SAFETY.**

**SAFETY GUIDELINES FOR ELECTRICAL INSTALLATION:**

Electrical Knowledge: To prevent the risk of electrical shock or fire, it is essential that the installation personnel possess professional qualifications.

Wear Protective Gear: Always wear gloves to prevent injuries during installation.

Emergency Protocol: If you notice any smoke or sparks from the wiring, turn off the power immediately and alert the appropriate personnel.

Use Proper Equipment: Always utilize listed strain relief bushings when connecting the supply cord to the outlet box.

**IMPORTANT NOTICE:**

Inspect for Shipping Damage: Please verify if there is any damage that occurred during shipping. If you find any issues, contact the manufacturer promptly.

**REVIEW INSTALLATION INSTRUCTIONS:**

Carefully read the installation instructions to ensure that all accessories are included. Once confirmed, proceed to install the fixture following the outlined steps.

**WIRING DIAGRAM & INSTRUCTION:**

Three (3) dimming functions available:

0/1-10VDC dimming

PWM signal dimming

Potentiometer dimming

RECOMMENDED DIMMERS	
Brand	Model
LUTRON	NTSTV-DV
LEVITON	DS710-10Z / IP710
LEGRAND	RH4FBL3PW

**WIRING INSTRUCTIONS**

**LINE: BLACK**

**NEUTRAL: WHITE**

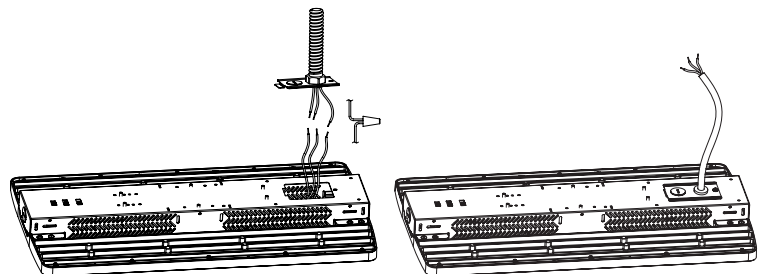
**⊕ GREEN/YELLOW**

**DIM (+) : PURPLE**

**DIM (-) : PINK**

Please select the suitable dimming method based on your requirements. Alternatively, you may choose to forgo this feature altogether.

\*Warning: the product cannot be connected to a dimming device it is equipped with a motion sensor.

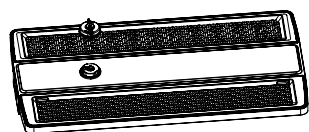


**INSTALLATION INSTRUCTIONS**

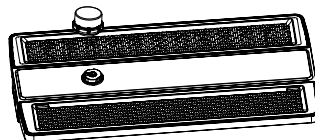
**1. ACCESSORIES INSTALLATION**  
**A. PIR SENSOR**

Step 1: Untwist to remove the sensor socket cap at the front of the lamp. (See Figure 1).

Step 2: Securely twist-lock the Z10 sensor to the base for proper functionality, and utilize a remote control to adjust the working mode according to your needs. (Refer to Figure 2).



**FIGURE 1**

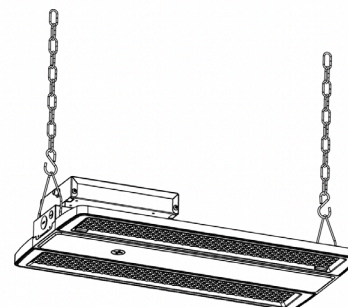
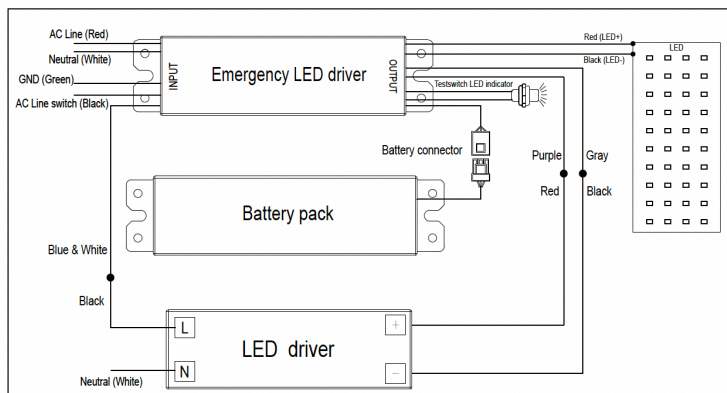


**FIGURE 2**

**B. BACKUP DRIVER WIRING**

Step 1: Open junction box with screw driver.

Step 2: Connect the input wires of each backup driver and fixture driver using an appropriate knockout, then finalize the junction (See Figure 3).

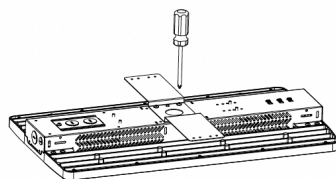


**FIGURE 3**

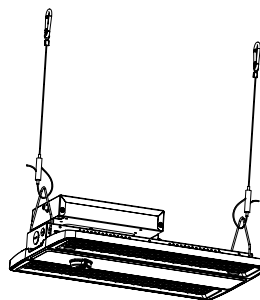
**C. BACKUP DRIVER MOUNTING**

Step 1: Attach the bracket to the back of the light fixture (See Figure 4).

Step 2: Connect the emergency power supply to the bracket, and then wire it according to the specified wiring diagram (See to Figure 5).



**FIGURE 4**



**FIGURE 5**

## INSTALLATION INSTRUCTIONS

### 2. BEAM ANGLE, CCT, AND SWITCHABLE WATTAGE:

Adjust the color temperature or wattage using the dial switch based on the markings provided on the product. (Figure 6).

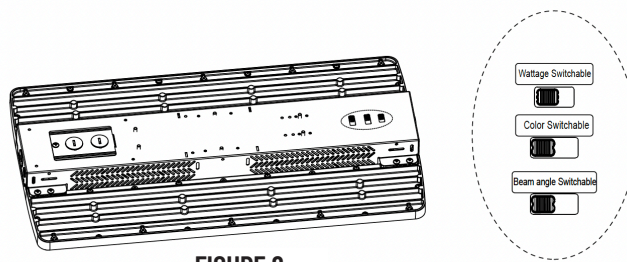


FIGURE 6

### 3. FIXTURE INSTALLATION

The LHB-SO has two (2) Installation Methods. Please select the installation method that best fits your needs for the purchased product:

- Chain/Cable Installation
- Surface Mounting

#### A. HANGING INSTALLATION: ( CHAIN/CABLE )

Step 1: Insert V Hanger (See Figure 7).

Step 2: Secure the cable/chain with the fixture (Refer to Figure 7).

Step 3: Fasten the chain onto the rail and adjust its length as necessary (See Figure 8).

Step 4: Once secured, select the appropriate wiring knockout and connect the wires according to local standards and codes.

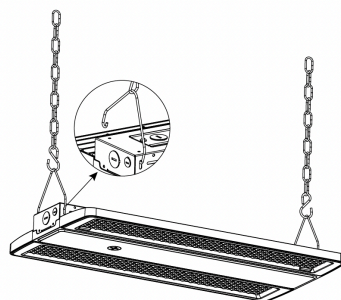


FIGURE 7

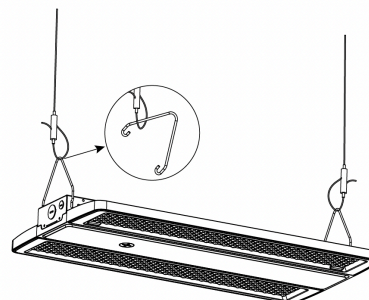


FIGURE 8

**INSTALLATION INSTRUCTIONS**

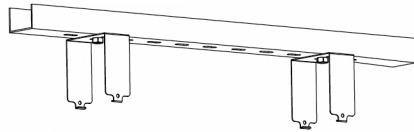
**B. SURFACE MOUNTING**

**(NOTE: IF THIS BRACKET IS USED FOR THE FIXTURE, A BACKUP DRIVER SOLUTION CANNOT BE SELECTED.)**

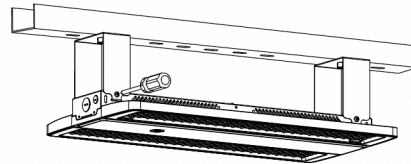
Step 1: Attach the bracket to the rail or ceiling (See Figure 9).

Step 2: Attach the fixture to the bracket and secure it with screws (Refer to Figure 10).

Step 3: Once mounted, select the appropriate wiring knockouts and connect the wires in accordance with local standards and codes.



**FIGURE 9**



**FIGURE 10**