

LED Commercial Architectural Frame / Plaster Frame in Kit

WARNING : These products may represent a possible shock or fire hazard if improperly installed or attached in any way. Products should be installed in accordance with these instructions, current electrical codes and/or the current National Electric code(NEC).

Do not make or alter any open holes in a wiring enclosure nor any electrical components during kit installation.

WARNING : Risk of fire or electric shock. Kit installation requires knowledge of recessed lighting luminaires electrical systems. If not qualified, do not attempt installation. Contact a qualified electrician.

Do not use these products in luminaires located where elevated ambient temperatures exist.

WARNING : Risk of fire or electric shock. The electrical rating of this product is 120V Ac. The installer must determine whether power supply is 120V AC at the luminaire before installation.

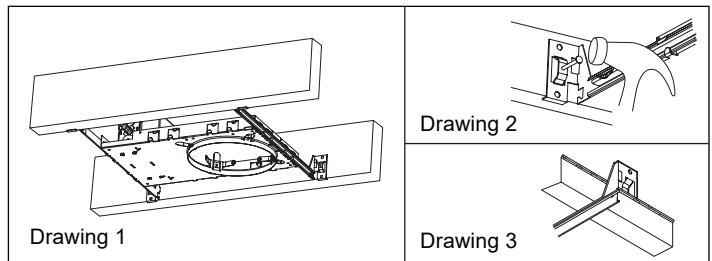
(120V/277V Ac 50-60Hz is available if 120V/277V is indicated on caution label)

WARNING : Risk of fire or electric shock. Luminaire's wiring, ballast(s), or other electrical parts may be damaged when drilling for installation of reflector kit hardware. If drilling is required in any installation, check for enclosed wiring and components and be careful to protect them from any harm. To prevent wiring damage or abrasion, do not expose wiring to edges of sheet metal or other sharp objects.

HOUSING INSTALLATION

FASTENING FIXTURE TO CEILING

- Joist-type ceiling-extend bar hangers to fit between joists. Position fixture temporarily by hammering "Nail" into joists. (Drawing 2) Then secure permanently with nails Hanger should be level with bottom of joists.
- Suspended (T-bar) ceilings-extend bar hangers 1" past T-bars, then rest fixture on T-bars, Secure fixture to T-bars with wire. (Drawing 3)



1. Cut out a hole 5 1/8" (4" HOUSING) or 6 1/2" (6" HOUSING) or 8 1/8" (8" HOUSING) in the drywall



2. Install MOUNTING FRAME using ADJUSTABLE MOUNTING BRACKET as shown in the Fig1 Fig2 and Fig3.

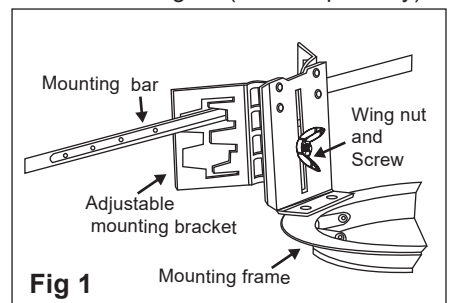
3. Adjust MOUNTING FRAME to the proper height by loosening the wing nuts on both adjustable brackets and set the MOUNTING FRAME so that the bottom edge of the FRAME is flush with the finished ceiling Tighten the wing nuts

4. Junction box is suitable for branch wiring and is supplied with trade size knockouts and integral Romex connectors

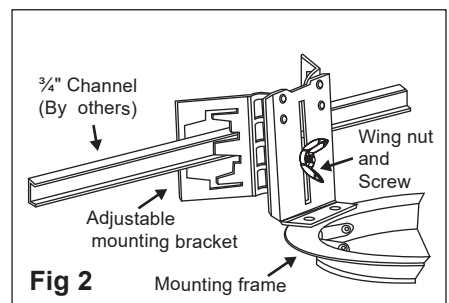
5. For Romex pry open the knock out and push the wire through the clamp plate inside
 - a) Wire connections must be installed in a manner that does not interfere with the strain relief action of the clamp

NOTE : Final vertical adjustment can be made by means of WING NUT AND SCREW (Fig1) on inside of MOUNTING FRAME

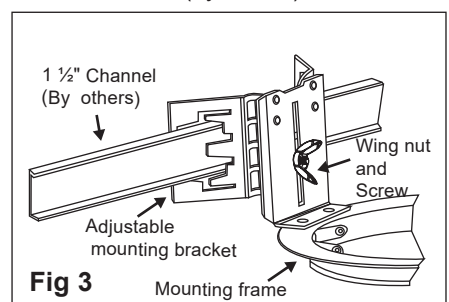
With Mounting bar(order separately)



3/4" Channel (by others)



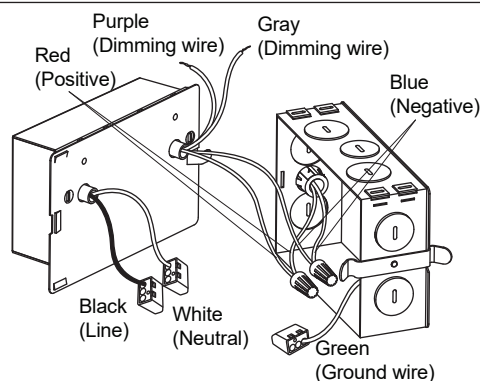
1 1/2" Channel (by others)



ELECTRICAL CONNECTION

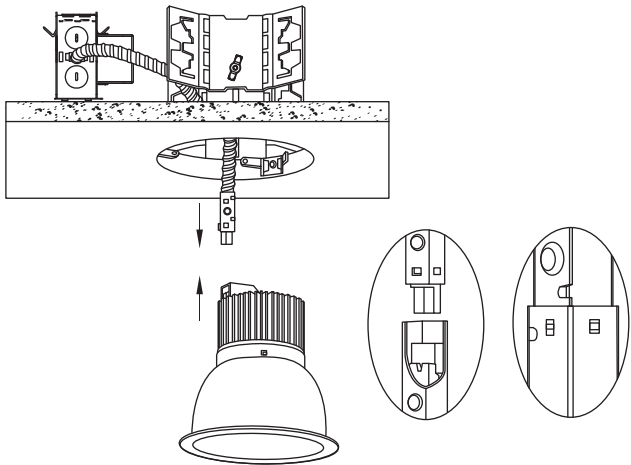
Open Junction Box cover and connect all the wires of the same color with each other.

Please refer to the details of wires shown below. Close J-Box cover after wiring.

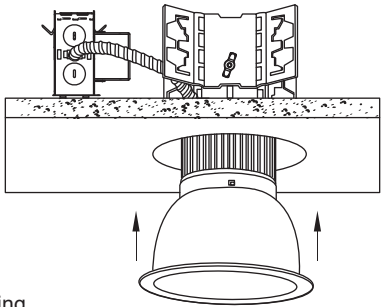


LED Commercial Architectural Frame / Plaster Frame in Kit

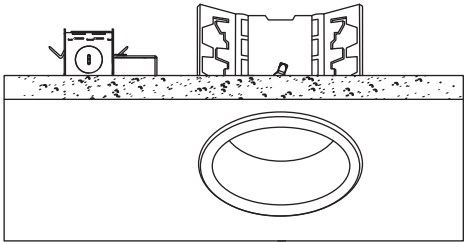
REFLECTOR INSTALLATION



- 1. Connect female and male connector
- 2. Fasten case of the connector



- 3. Push Trim up to ceiling



- 4. Push Trim gently to ceiling until seated

LIST OF COMPATIBLE DIMMERS :

Mfr	Model #	Dimming Rate
Lutron	NFTV	10 - 100%
Lutron	NTSTV-DV	10 - 100%
Legrand	CD4FBLW	10 - 100%